



**RP-SMA-JW/RP-SMA-K RG174 SMA 弯公母转接线缆**

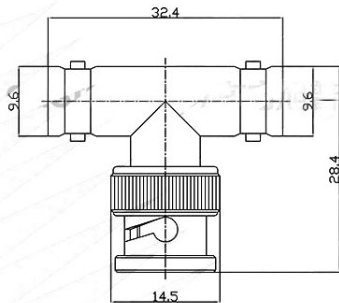


**RG174 射頻轉接線**

**产品规格书**  
PRODUCT SPECIFICATION

This document contains proprietary information and such information may not be disclosed to others for any purposes.  
 本文件包含专有信息，不得出于任何目的向他人披露此类信息。  
 not used for sales/marketing/promocurement purposes without written permission.  
 未经书面许可，不得用于销售/营销/采购目的。

- 1. Electrical/电气
  - 1.1 Impedance /阻抗 50Ω
  - 1.2 Frequency /频率 DC-4GHz
  - 1.3 Dielectric withstanding voltage /介质耐压 1500V(rms)
  - 1.4 Center contact resistance /中心接触电阻  $\leq 1.5m\Omega$
  - 1.5 Outer contact resistance /外部接触电阻  $\leq 1m\Omega$
  - 1.6 Insulation resistance /绝缘电阻  $\geq 5000M\Omega$
- 2. Environmental & Mechanical /环境与机械
  - 2.1 Temperature range /温度范围  $-45^{\circ}\sim+125^{\circ}$
  - 2.2 Rohs Compliant /符合RoHS
  - 2.3 Durability /耐久性 500cycles



- 3. Material and Plating /材料和电镀
  - 3.1 Inner Contact /内导体: Phosphorus-Copper Gold Plating /磷铜镀金
  - 3.2 Outer Contact /外导体: Brass, nickel plated /黄铜镀镍
  - 3.3 Insulators /绝缘体: PTFE /聚四氟乙烯

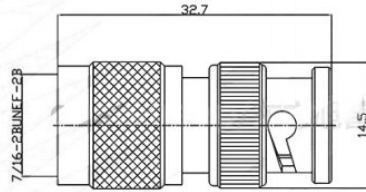
产品型号 P/N: BNC-KJK

# 产品规格书

PRODUCT SPECIFICATION

This document contains proprietary information and such information may not be disclosed to others for any purposes, not used for sales/marketing/procurement purposes without written permission.

1. Electrical/电气
  - 1.1 Impedance /阻抗 50Ω
  - 1.2 Frequency /频率 DC-4GHz
  - 1.3 VSWR/驻波  $\leq 1.25$
  - 1.4 Dielectric withstanding voltage /介电耐压 1500V(rms)
  - 1.5 Center contact resistance /中心接触电阻  $\leq 1.5m\Omega$
  - 1.6 Outer contact resistance /外部接触电阻  $\leq 0.2m\Omega$
  - 1.7 Insulation resistance /绝缘电阻  $\geq 5000M\Omega$
2. Environments & Mechanical/环境与机械
  - 2.1 Temperature range /温度范围  $-45^{\circ}\sim+125^{\circ}$
  - 2.2 RoHS Compliant /符合RoHS
  - 2.3 Durability/耐久性 500cycles
3. Material and Plating/材料和电镀
  - 3.1 Inner Contact/内导体: Brass, Gold plated/黄铜镀金
  - 3.2 Outer Contact/外导体: Brass, nickel plated/黄铜镀镍
  - 3.3 Insulators/绝缘体: PTFE/聚四氟乙烯



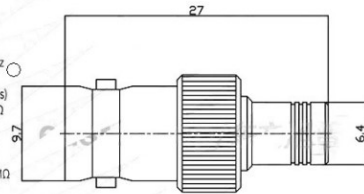
产品型号P/N: TNC/BNC-JJ

# 产品规格书

PRODUCT SPECIFICATION

This document contains proprietary information and such information may not be disclosed to others for any purposes, not used for sales/marketing/procurement purposes without written permission.

1. Electrical/电气
  - 1.1 Impedance /阻抗 50Ω
  - 1.2 Frequency /频率 DC-4GHz
  - 1.3 VSWR/驻波  $\leq 1.3$
  - 1.4 Dielectric withstanding voltage /介电耐压 500V(rms)
  - 1.5 Center contact resistance /BNC中心接触电阻  $\leq 1.5m\Omega$
  - 1.6 Outer contact resistance /BNC外部接触电阻  $\leq 1m\Omega$
  - 1.7 Center contact resistance /SMB中心接触电阻  $\leq 6m\Omega$
  - 1.8 Outer contact resistance /SMB外部接触电阻  $\leq 1m\Omega$
  - 1.9 Insulation resistance /绝缘电阻  $\geq 1000M\Omega$
2. Environments & Mechanical/环境与机械
  - 2.1 Temperature range /温度范围  $-45^{\circ}\sim+125^{\circ}$
  - 2.2 RoHS Compliant /符合RoHS
  - 2.3 Durability/耐久性 500cycles
3. Material and Plating/材料和电镀
  - 3.1 Inner Contact/内导体: Phosphorus-Copper Gold Plating/磷铜镀金
  - 3.2 Outer Contact/外导体: Brass, nickel plated/黄铜镀镍
  - 3.3 Outer Contact/SMB外导体: Brass, Gold plated/黄铜镀金
  - 3.4 Insulators/绝缘体: PTFE/聚四氟乙烯



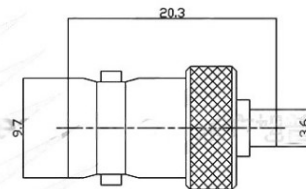
产品型号P/N: BNC/SMB-KK

# 产品规格书

PRODUCT SPECIFICATION

This document contains proprietary information and such information may not be disclosed to others for any purposes, not used for sales/marketing/procurement purposes without written permission.

1. Electrical/电气
  - 1.1 Impedance /阻抗 50Ω
  - 1.2 Frequency /频率 DC-4GHz
  - 1.3 VSWR/驻波  $\leq 1.3$
  - 1.4 Dielectric withstanding voltage /介电耐压 500V(rms)
  - 1.5 Center contact resistance /BNC中心接触电阻  $\leq 1.5m\Omega$
  - 1.6 Outer contact resistance /BNC外部接触电阻  $\leq 1m\Omega$
  - 1.7 Center contact resistance /MMCX中心接触电阻  $\leq 10m\Omega$
  - 1.8 Outer contact resistance /MMCX外部接触电阻  $\leq 5m\Omega$
  - 1.9 Insulation resistance /绝缘电阻  $\geq 1000M\Omega$
2. Environments & Mechanical/环境与机械
  - 2.1 Temperature range /温度范围  $-45^{\circ}\sim+125^{\circ}$
  - 2.2 RoHS Compliant /符合RoHS
  - 2.3 Durability/耐久性 500cycles
3. Material and Plating/材料和电镀
  - 3.1 Inner Contact/内导体: Phosphorus-Copper Gold Plating/磷铜镀金
  - 3.2 Outer Contact/外导体: Brass, nickel plated/黄铜镀镍
  - 3.3 Outer Contact/MMCX外导体: Brass, Gold plated/黄铜镀金
  - 3.4 Insulators/绝缘体: PTFE/聚四氟乙烯



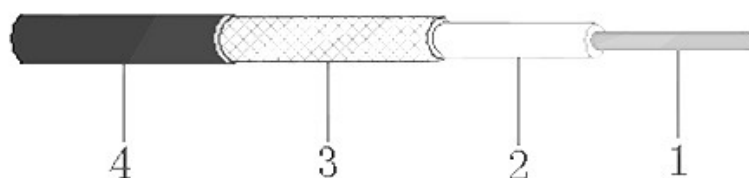
产品型号P/N: BNC/MMCX-KK

# RG 174

## 产品技术数据 Technical data of product

电缆名称 Name of cable	实芯聚乙烯绝缘同轴电缆 Solid polyethylene insulated coaxial cables		
电缆型号 Type of cable	RG174	执行标准 Standar	参照 MIL-C-17

### 一、产品结构图 Structure diagram of product



### 二、产品规格尺寸 Size of product

序号 No.	项目 Item	结构 Structure	材质 Material	颜色 Color
1	内导体 Inner conductor	7/0.16±0.01 mm	裸铜丝 Bare copper	黄色 Yellow
2	绝缘层 Insulation	1.52±0.10mm	聚乙烯 PE	白色 White
3	编织 Wire braid	96*0.10±0.01 mm	裸铜丝 Bare copper	黄色 Yellow
4	外护层 Jacket	2.80±0.10 mm	聚氯乙烯 PVC	黑色 Black
5	标志 Making	RG174 ROHS		

### 三、产品物理电气性能 Electrical physical and properties of product

项目 Item	单位 Unit	典型值 Value	
电容 Capacitance	pF/m	100±5	
阻抗 Impedance	Ω	50±2	
速率 Velocity ratio	%	66	
弯曲半径 Bent radius	mm	14	
最大工作电压 Max voltage	VMS	1500	
最大工作频率 Max Frequency	MHz	3000	
温度范围 Temperature scope	℃	-20 ~ +80	
20℃时最大衰减 Attenuation constant at 20℃ (Max.)	200MHz	dB/100m	38
	400MHz	dB/100m	57
	900MHz	dB/100m	89
	1500MHz	dB/100m	116
	1800MHz	dB/100m	127
	2000MHz	dB/100m	137
	2500MHz	dB/100m	154

