

RG 316



内部导体
Inner Conductor

绝缘体
Dielectric

外部导体
Outer Conductor

护套
Jacket

型号 Model

FEP RG 316

描述 Description

(316) 高频同轴电缆 FEP(茶色)护套
(316) High Frequency coaxial cable with FEP (Brown) jacket

结构参数 Structure parameter

内部导体 Inner Conductor	镀银铜, 镀银铜包钢 Silver-Plated Copper, Silver-Plated Copper Clad Steel	7x0.175mm
绝缘层 Insulation Layer	聚四氟乙烯(PTFE) Polytetrafluoroethylene(PTFE)	1.53mm
外部导体 Outer Conductor	镀银铜线编织 Silver-Plated Copper Wire Braiding	1.95mm
护套 Jacket	聚全氟乙丙烯 (FEP), 茶色 Fluorinated Ethylene Propylene (FEP), Brown	2.50mm

电气特性 Electrical Data

阻抗 Impedance, nominal	50ohms
电容 Capacitance, nominal	106pF/m
延时 Signal delay, nominal	4.7ns/m
耐电压 Voltage withstand(AC)	2000V rms/min
绝缘电阻 Insulation resistance, nominal	1500 M Ω · km
传输速率 Velocity of propagation, nominal	70%

机械特性 Mechanical Data

恒定温度 Temperature rating	150°C
最小弯曲半径 Minimum bending radius	15mm
最大拉伸强度 Maximum tensile strength	3.4kg
重量 Weight of cable	17g/m

衰减量和功率 Attenuation and Power

频率数 Frequency(MHz)	衰减量 Attenuation(dB/m)	功率 Power(Watts CW)
100	0.29	420
400	0.58	210
900	0.88	140
1000	0.93	135
1800	1.27	100
2400	1.46	78
3000	1.65	72
5000	2.14	61
6000	2.34	52

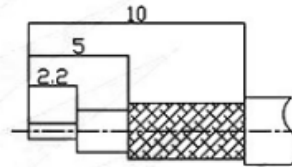
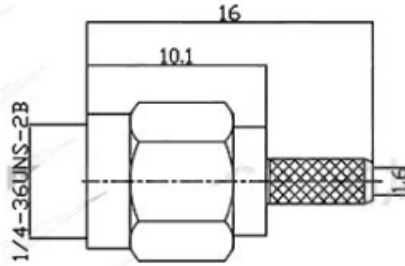
产品规格书

PRODUCT SPECIFICATION

This document contains proprietary information and such information may not be disclosed to others for any purposes, 本文件包含专有信息，不得出于任何目的向他人披露此类信息。
not used for sales/marketing/procurement purposes without written permission, 未经书面许可，不得用于销售/营销/采购目的。

- | | |
|--|------------|
| 1. Electrical/电气 | |
| 1.1 Impedance /阻抗 | 50Ω |
| 1.2 Frequency /频率 | DC-6GHz |
| 1.3 VSWR/驻波 | ≤1.2 |
| 1.4 Dielectric withstanding voltage /介质耐压 | 1000V(rms) |
| 1.5 Center contact resistance /中心接触电阻 | ≤3mΩ |
| 1.6 Outer contact resistance /外部接触电阻 | ≤2mΩ |
| 1.7 Insulation resistance /绝缘电阻 | ≥5000MΩ |
| 2. Environment & Mechanical /环境与机械 | |
| 2.1 Temperature range /温度范围 | -45°~+125° |
| 2.2 Rohs Compliant /符合RoHS | |
| 2.3 Durability /耐久性 | 500cycles |
| 3. Material and Plating /材料和电镀 | |
| 3.1 Inner Contact /内导体: Brass, Gold plated /黄铜镀金 | |
| 3.2 Outer Contact /外导体: Brass, Gold plated /黄铜镀金 | |
| 3.3 Insulators /绝缘体: PTFE /聚四氟乙烯 | |

Suitable cables /适配电缆: RG316, RG174



推荐剥线尺寸
Recommended stripping size

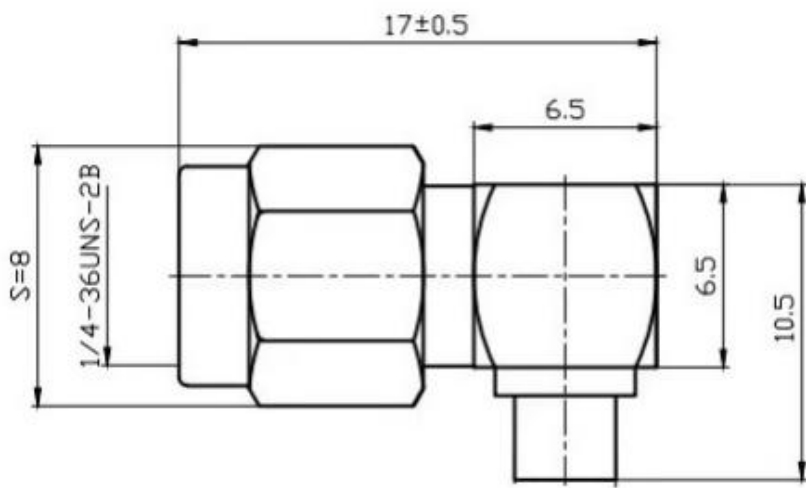
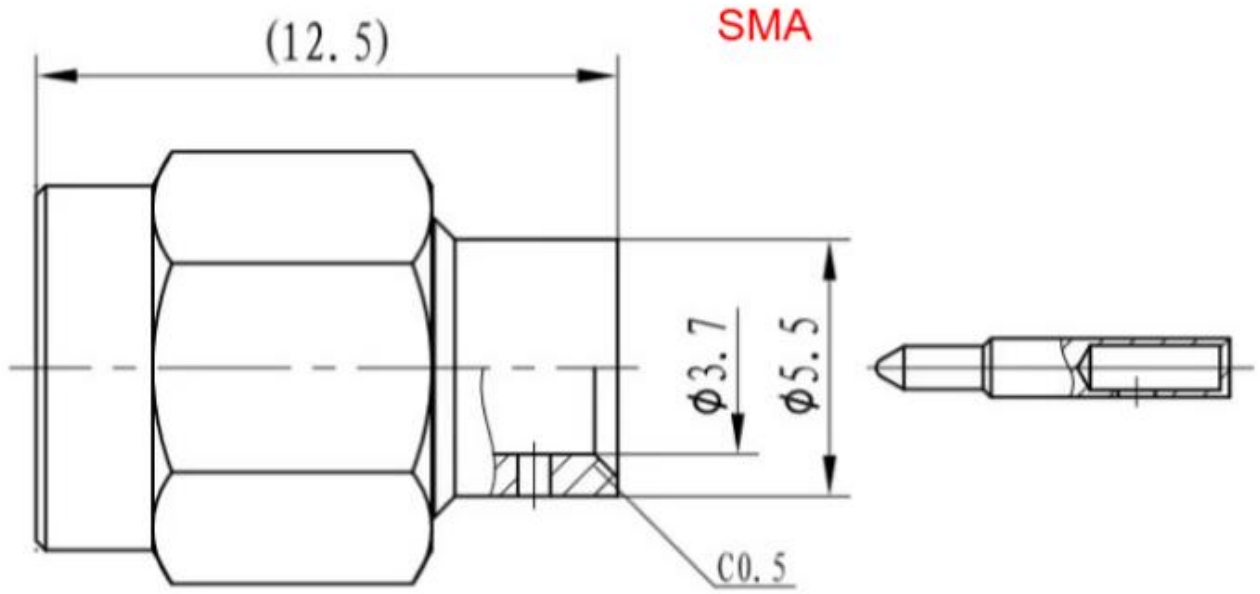
产品型号P/N: SMA-C-J-1.5



SMA-J
SMA公头



SMA-J
SMA公头



SMA-90度