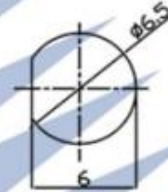
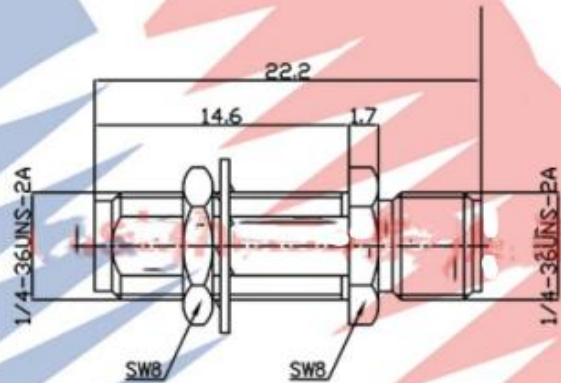


# 产品规格书

## PRODUCT SPECIFICATION

This document contains proprietary information and such information may not be disclosed to others for any purposes,  
 本文件包含专有信息, 不得出于任何目的向他人披露此类信息。  
 not used for sales/marketing/procurement purposes without written permission.  
 未经书面许可, 不得用于销售/营销/采购目的。

- |  |            |
|--|------------|
| 1. Electrical/电气   | 50Ω        |
| 1.1 Impedance /阻抗  | DC-6GHz    |
| 1.2 Frequency /频率  | ≤1.2       |
| 1.3 VSWR/驻波  | 1000V(rms) |
| 1.4 Dielectric withstanding voltage /介质耐压                    | ≤3mΩ       |
| 1.5 Center contact resistance /中心接触电阻                        | ≤2mΩ       |
| 1.6 Outer contact resistance /外部接触电阻                         | ≥5000MΩ    |
| 1.7 Insulation resistance /绝缘电阻                              |            |
| 2. Environmenta & Mechanical /环境与机械                          |            |
| 2.1 Temperature range /温度范围                                  | -45°~+125° |
| 2.2 Rohs Compliant /符合RoHS                                   |            |
| 2.3 Durability /耐久性  | 500cycles  |
| 3. Material and Plating /材料和电镀                               |            |
| 3.1 Inner Contact /内导体: Phosphorus-Copper Gold Plating /磷铜镀金 |            |
| 3.2 Outer Contact /外导体: Brass, Gold plated /黄铜镀金             |            |
| 3.3 Insulators /绝缘体: PTFE /聚四氟乙烯                             |            |



Recommend mounting hole  
 建议安装孔

产品型号P/N: SMA-KYK-1

# 产品测试图

## PRODUCT TESTING FIGURE

