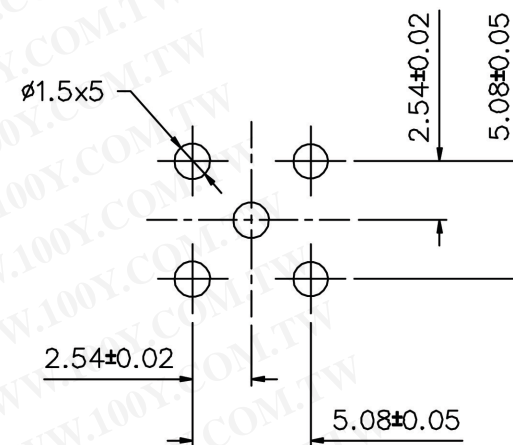
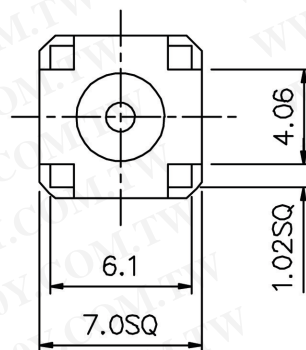
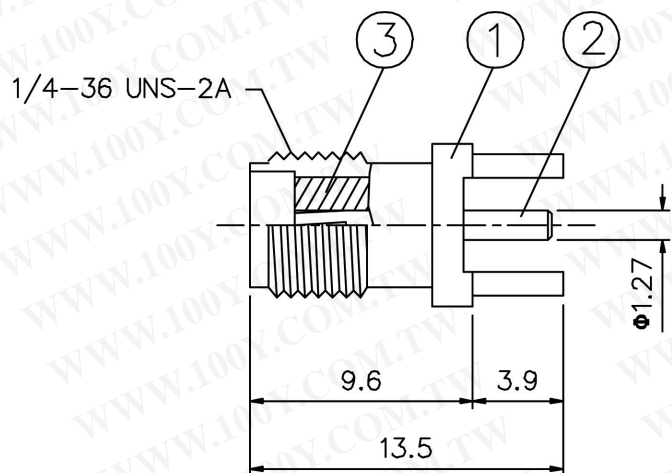


勝特力材料 886-3-5753170
 勝特力电子(上海) 86-21-34970699
 勝特力电子(深圳) 86-755-83298787
[Http://www.100y.com.tw](http://www.100y.com.tw)

REV.	Date	Drawn
A	2009/08/24	Debra



Recommended PCB Hole

ELECTRICAL PERFORMANCE :

IMPEDANCE : 50 OHMS
 FREQUENCY : DC-12.4GHz
 WORKING VOLTAGE : 500Vrms MAX.
 DIELECTRIC WITHSTANDING VOLTAGE : 1000Vrms MAX.
 INSULATOR RESISTANCE : 5000 MEGOHMS

NO.	DESCRIPTION	MATERIALS	FINISHED
1	BODY	BRASS	Gold
2	CONTACT	Be. Copper	Gold 20u"
3	INSULATOR	TEFLON	

RoHS COMPLIANCE	Unit : mm	Scale : NTS
-----------------	-----------	-------------

TOLERANCE :
 X=±0.2 X.X=±0.1 X.XX=±0.05

TITLE :
 SMA Female S/T for PCB

PART NO.	SMA701B-13.5
----------	--------------