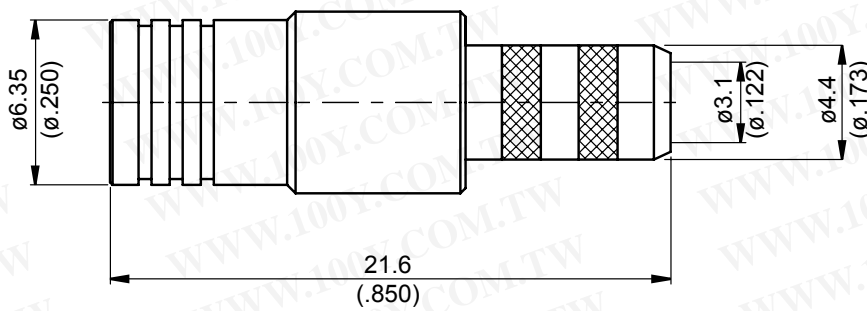


勝特力材料 886-3-5753170
 勝特力电子(上海) 86-21-34970699
 勝特力电子(深圳) 86-755-83298787
[Http://www.100y.com.tw](http://www.100y.com.tw)

SMB3100-0058

SMB Plug Crimp

50Ω



| Parts | Material | Plating (Micro-inch) |
|---------------|------------------|--|
| Ferrule | Brass | Gold 5 Over Nickel 50 Over Copper 50 |
| Contact Pin | Phosphor Bronze | Gold 20 Over Nickel 50 Over Copper 50 |
| Retainer Ring | Beryllium Copper | Tin-Zinc-Copper-Alloy 100 Over Copper 50 |
| Insulator | Teflon | |
| Body | Brass | Gold 5 Over Nickel 50 Over Copper 50 |

Weight: 4.22 g

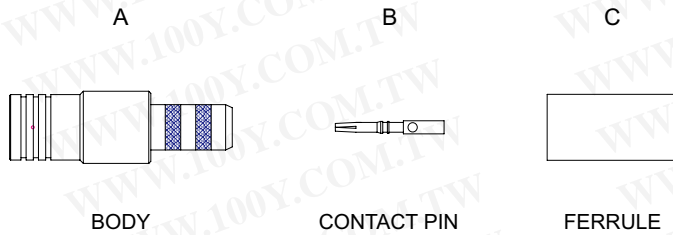
Suitable Cables: RG58, JBY195

勝特力材料 886-3-5753170
 勝特力电子(上海) 86-21-34970699
 勝特力电子(深圳) 86-755-83298787
[Http://www.100y.com.tw](http://www.100y.com.tw)

CABLE ASSEMBLY INSTRUCTION

SMB3100-0058

JYE BAO CO., LTD.



| DIAGRAM | ASSEMBLY INSTRUCTION |
|---------|---|
| | Step 1: STRIP AS SHOWN . |
| | Step 2: SLIDE FERRULE " C " OVER CABLE. Step 3: PUT PIN " B " ON CENTER CONDUCTOR AND SOLDER IN " Y ". |
| | Step 4: LOOSEN BRAIDING AND SLIDE CONNECTOR " A " IN PLACE. |
| | Step 5: SLIDE FERRULE " C " TOWARDS THE CONNECTOR " A " AND CRIMP. |