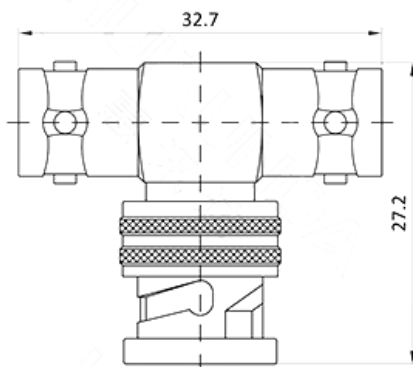


TRB/BNT Female to Male to Female TEE BN73 Adapter



Electrical 电气

Characteristic Impedance 特性阻抗

50 ohm

Frequency Range 频率范围

DC-500MHz

Dielectric Withstanding Voltage 介质耐压

≥1500V RMS,50hz,at sea level

Dielectric Resistance 介电常数

≥5000MΩ

Environmental 环境 & Mechanical 机械

Temperature Range 温度范围

-45°C ~ +125°C

Durability 耐久性

≥500 cycles

ROHS compliant 符合 ROHS

Full ROHS compliance

Material and Plating 材料及涂镀

Material 材料

Plating 电镀

Body 壳体

Brass 黄铜

Ni 镍

Insulator 绝缘体

PTFE 聚四氟乙烯

—

Center conductor 中心导体

Brass 黄铜

Au 金

