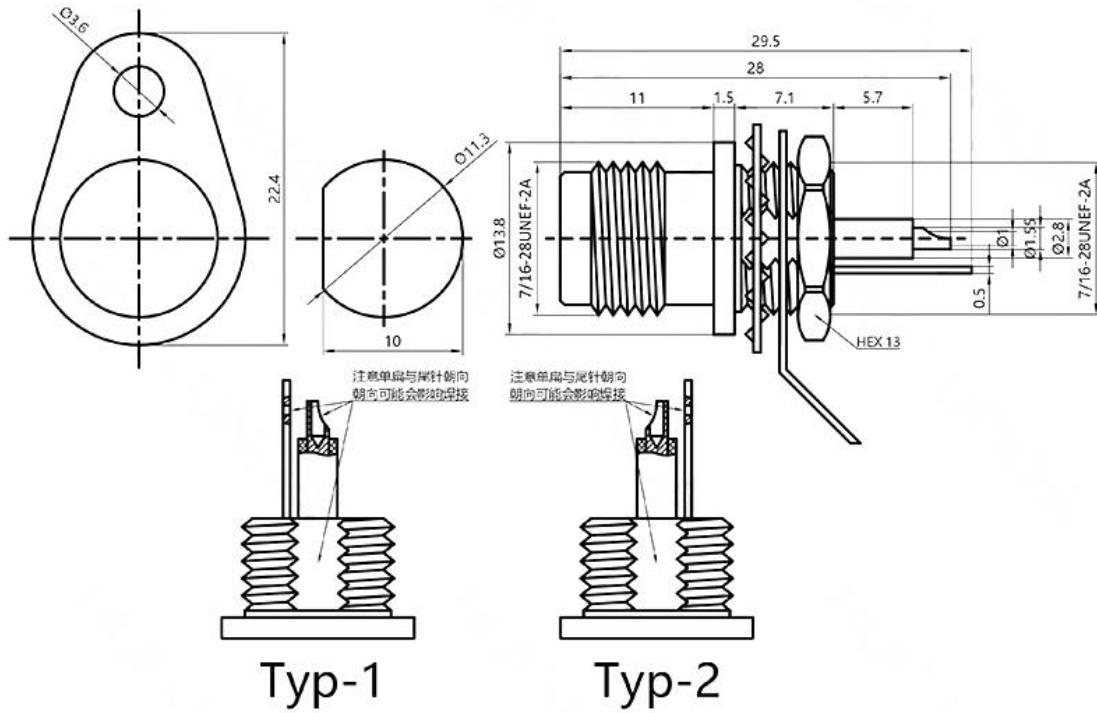


TRT Female Bulkhead Adapter



Electrical 电气

Characteristic Impedance 特性阻抗	50 ohm
Frequency Range 频率范围	DC-3GHz
VSWR 电压驻波比	≤1.2
Dielectric Withstanding Voltage 介质耐压	≥1000V RMS,50hz,at sea level
Working Voltage 工作电压	≤1000V RMS,50Hz,at sea level
Dielectric Resistance 介电常数	≥5000MΩ
Contact Resistance 接触电阻	Center Contact 中心 ≤1.5mΩ
	Outer Contact 外部 ≤1.5mΩ

Environmental 环境 & Mechanical 机械

Temperature Range 温度范围	-45°C ~ +125°C
Durability 耐久性	≥500 cycles
ROHS compliant 符合 ROHS	Full ROHS compliance

Material and Plating 材料及涂镀

	Material 材料	Plating 电镀
Body 壳体	Brass 黄铜	Ni 镍
Insulator 绝缘体	PTFE 聚四氟乙烯	—
Center conductor 中心导体	Phosphorus copper 磷铜	Au 金