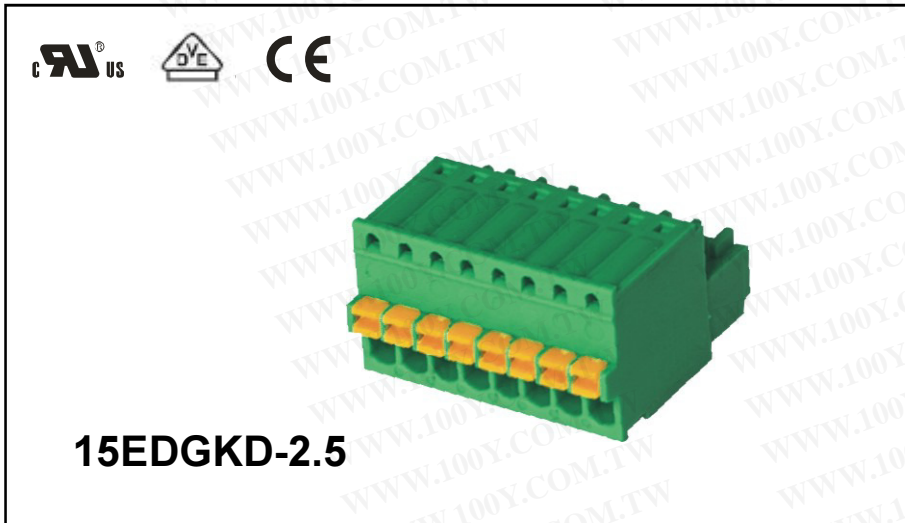


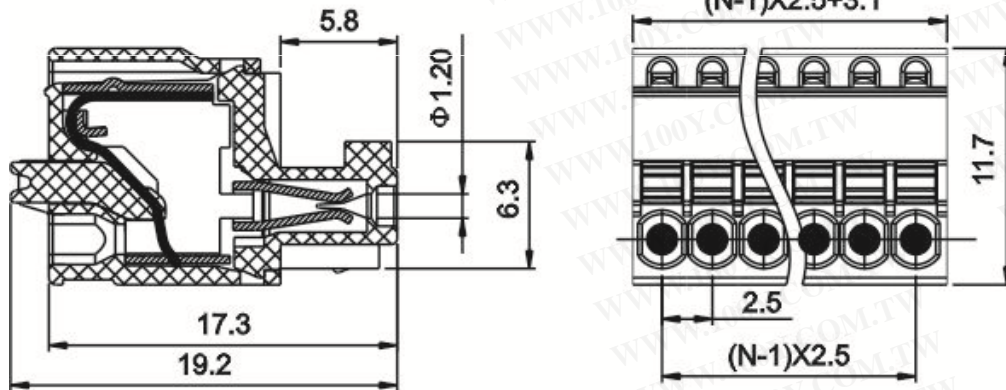


# DEGSON ELECTR

## Product Specification

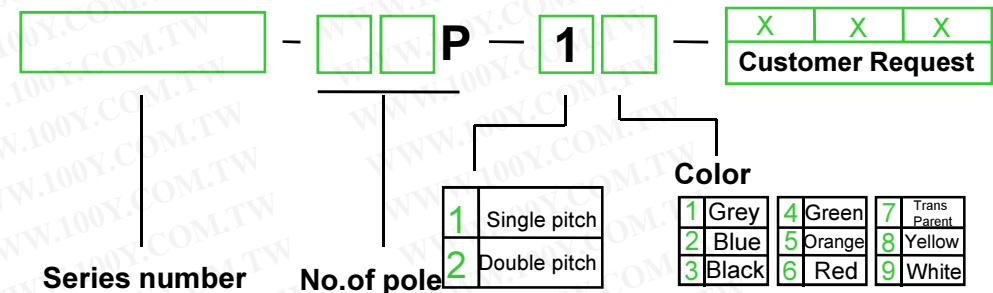


勝特力材料 886-3-5753170  
 勝特力电子(上海) 86-21-34970699  
 勝特力电子(深圳) 86-755-83298787  
[Http://www.100y.com.tw](http://www.100y.com.tw)



<b>APPROVAL</b>		
<b>Electrical</b>		
Standard	<b>UL</b>	<b>IEC</b>
Rated voltage	150V	250V
Rated current	4A	5A
Wire range	20AWG	0.2-1.5mm <sup>2</sup>
Withstanding voltage	AC1500V/1Min	
<b>Mechanical</b>		
Ambient temperature	-40°C~+105°C	
Strip length	8mm	
<b>Dimensions</b>		
Pitch	2.5mm(.098")	
Poles	2P-12P	
<b>Material</b>		
Housing	PA66,UL94V-0	
Contact	Phosphor bronze	
Wire guard	Stainless steel	

### HOW TO ORDER :



	<b>NAME</b> <b>15EDGKD-2.5</b>