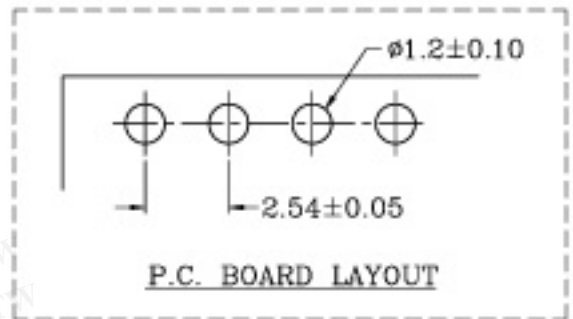
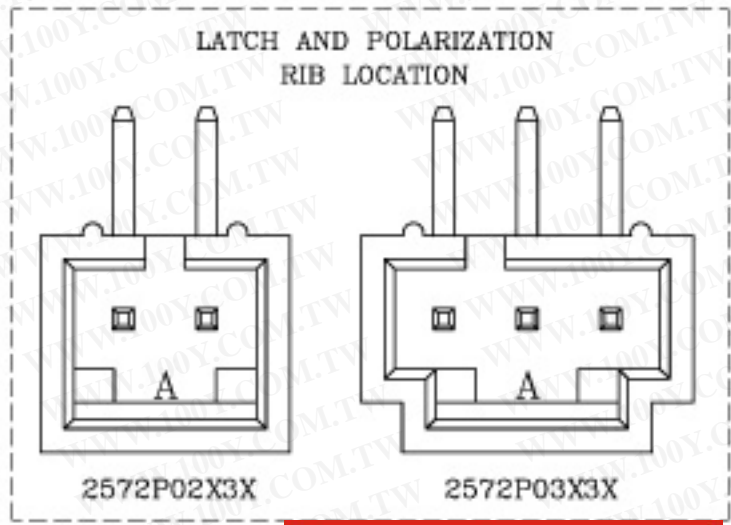
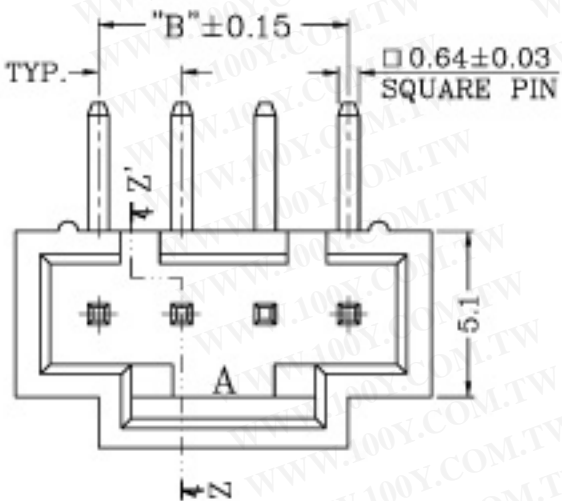
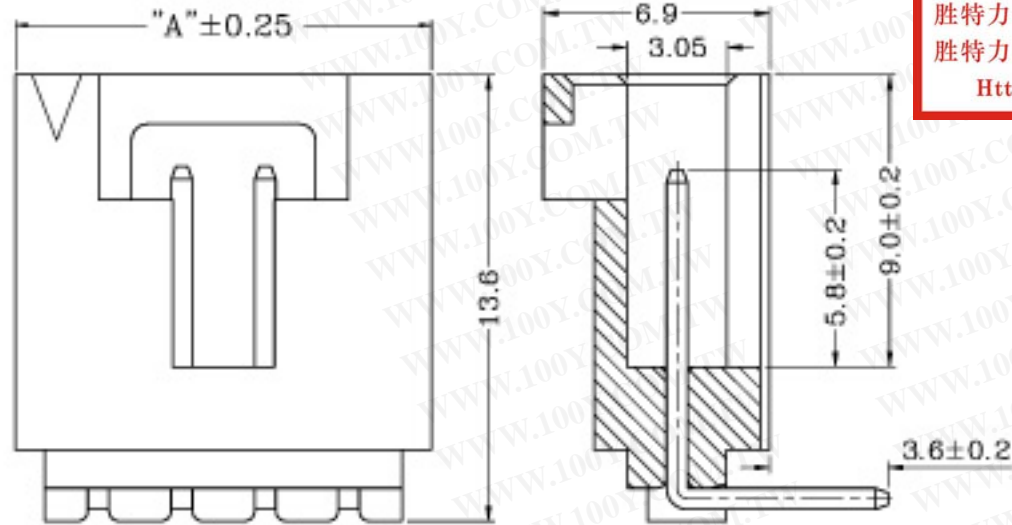


12 11 10 9 8 7 6 5 4 3 2 1



- \* MATERIAL: PBT. UL 94V-0
- \* CONTACT PIN: BRASS
- \* CIRCUITS: 2P~15P
- \* MATE HOUSING: 2570SXX03
- \* CONTACT RETENTION FORCE: 1.8Kg (min.) AFTER SOLDER DIP WITH TEMP. (245±5°C)

勝特力材料 886-3-5753170  
 勝特力电子(上海) 86-21-54151736  
 勝特力电子(深圳) 86-755-83298787  
[Http://www.100y.com.tw](http://www.100y.com.tw)



ORDER NO./DIMENSIONS:

CIRCUITS	ORDER NO.	DIM "A"	DIM "B"	CIRCUITS	ORDER NO.	DIM "A"	DIM "B"
*2	2572P02X3X	7.60	2.54	9	2572P09X3X	25.36	20.32
*3	2572P03X3X	10.12	5.08	10	2572P10X3X	27.90	22.86
4	2572P04X3X	12.66	7.62	11	2572P11X3X	30.44	25.40
5	2572P05X3X	15.20	10.16	12	2572P12X3X	32.98	27.94
6	2572P06X3X	17.74	12.70	13	2572P13X3X	35.52	30.48
7	2572P07X3X	20.28	15.24	14	2572P14X3X	38.06	33.02
8	2572P08X3X	22.82	17.78	15	2572P15X3X	40.60	35.56

ORDER INFORMATION:

2572P XX X 3 X  
 CIRCUITS NO.      PLATING:  
 COLOR:            1=GOLD FLASH  
 MATERIAL:        T=120u" TIN PLATED  
 0=BLACK            B=10u" SELECT GOLD  
 2=RED              C=20u" SELECT GOLD  
 6=BLUE             D=30u" SELECT GOLD  
 9=WHITE            5=15u" GOLD  
 3=PBT

SECTION Z-Z'

PIN=0.64x16.0mm

MATERIAL:		SCALE 4 : 1		SHEET 1 OF 1	
FINISH(COLOR):		DRAWN BY: A/mm 29/MAR/05		UNIT mm REV. H	
FILE NAME:		APPROVED BY:		DRAW NO.	
		GENERAL TOLERANCE:		(CQ) 2572PXXX3X	
H CANCEL GREEN COLOR	940313 29/MAR/05	ANGLE: ±3°	DIM: ±0.5	TITLE: 2.54mm PITCH RIGHT ANGLE HEADER	
G ADD PLATING	891102 03/NOV/00		X.X ±0.25		
REV. REVISION RECORD	ECN NO. DATE		X.XXX ±0.08		