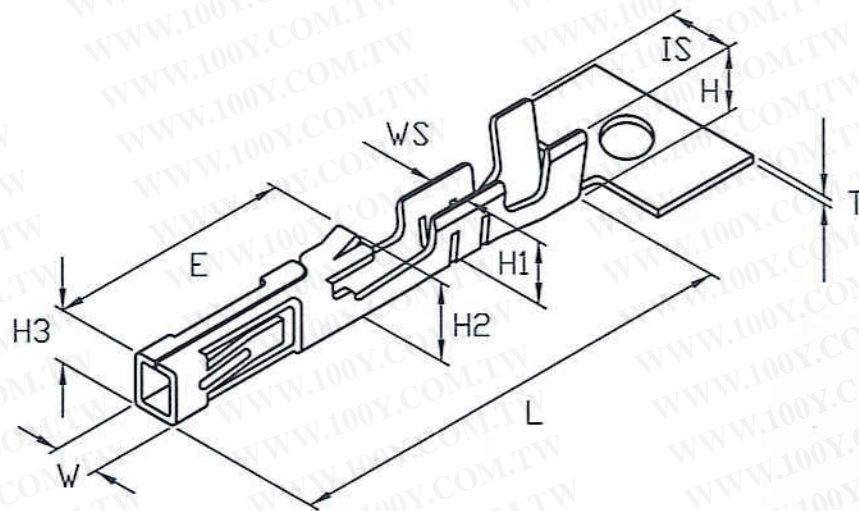


DRAWING OF FINISHED PRODUCTS



ITEM NO: J3304PS-2A

MATERIAL: PHOS

THICKNESS: 0.2

HARDNESS: H

INSULATION O.D.: 1.5 MAX.

APPLICABLE WIRE: (AWG) 22-28

VOLTAGE RATING: AC/250V, DC/350V

CURRENT RANGE: AC, DC, 3A

TEMPERATURE RANGE: -25°C TO +85°C

PLATING: TIN 40' MIN.

DIMENSION: (MM)

T: 0.2 ± 0.03

L: 12.8 ± 0.25

E: 6.3 ± 0.25

W: 1.3 ± 0.15

IS: 2.1 ± 0.25

WS: 1.3 ± 0.25

H: 1.9 ± 0.25

H1: 1.5 ± 0.25

H2: 2.0 ± 0.25

H3: 1.55 ± 0.2

勝特力材料 886-3-5753170

勝特力电子(上海) 86-21-34970699

勝特力电子(深圳) 86-755-83298787

[Http://www.100y.com.tw](http://www.100y.com.tw)