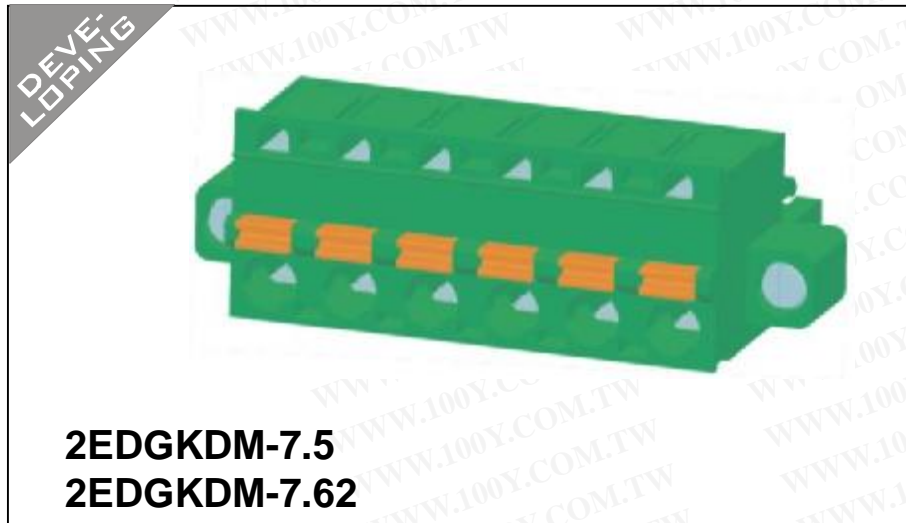


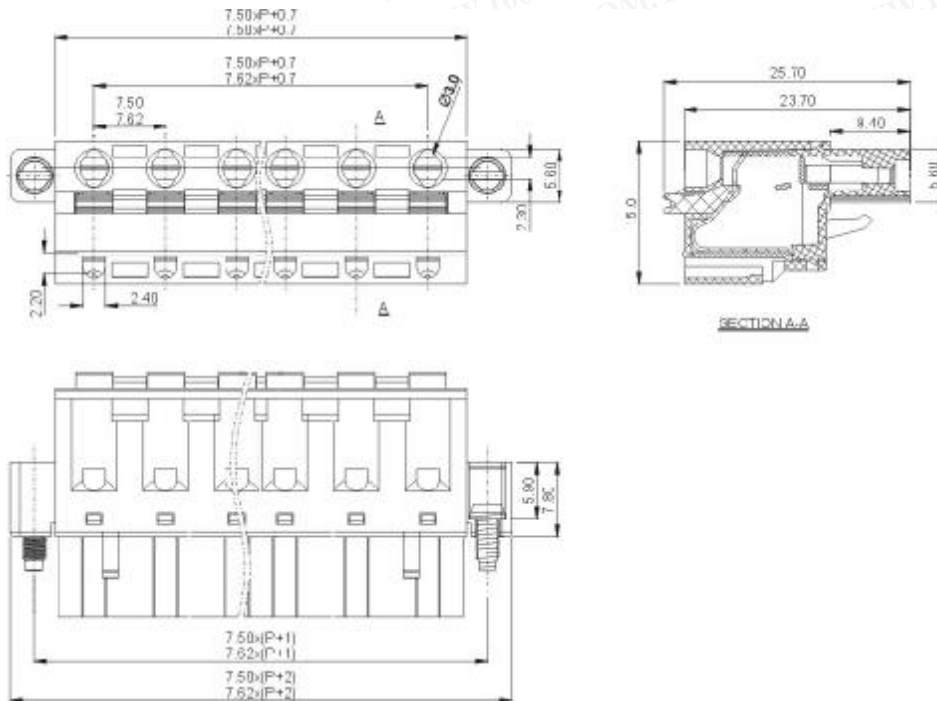


勝特力材料 886-3-5753170
 勝特力电子(上海) 86-21-34970699
 勝特力电子(深圳) 86-755-83298787
[Http://www.100y.com.tw](http://www.100y.com.tw)

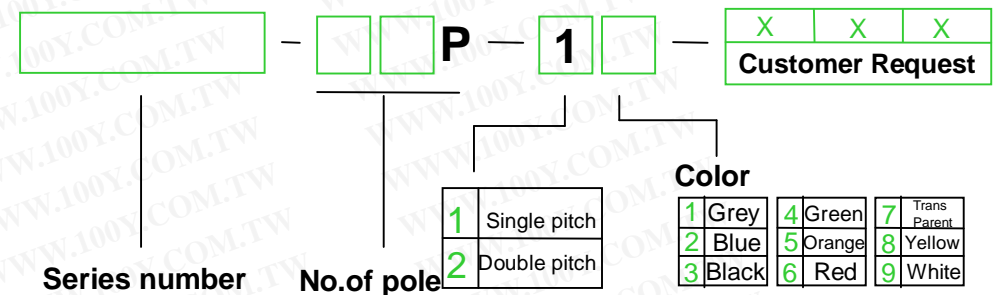
Product Specification



APPROVAL		
Electrical		
Standard	UL	IEC
Rated voltage	300V	400V
Rated current	10A	20A
Wire range	26-12AWG	2.5mm ²
Withstanding voltage	AC2500V/1Min	
Mechanical		
Ambient temperature	-40°C ~ +105 °C	
Strip length	10mm	
Dimensions		
Pitch	7.5mm(.295") 7.62mm(.300")	
Poles	2P-16P	
Material		
Housing	PA66,UL94 V-0	
Contact	Phosphor bronze	
Wire guard	Stainless steel	



HOW TO ORDER :



	NAME 2EDGKDM-7.5 2EDGKDM-7.62