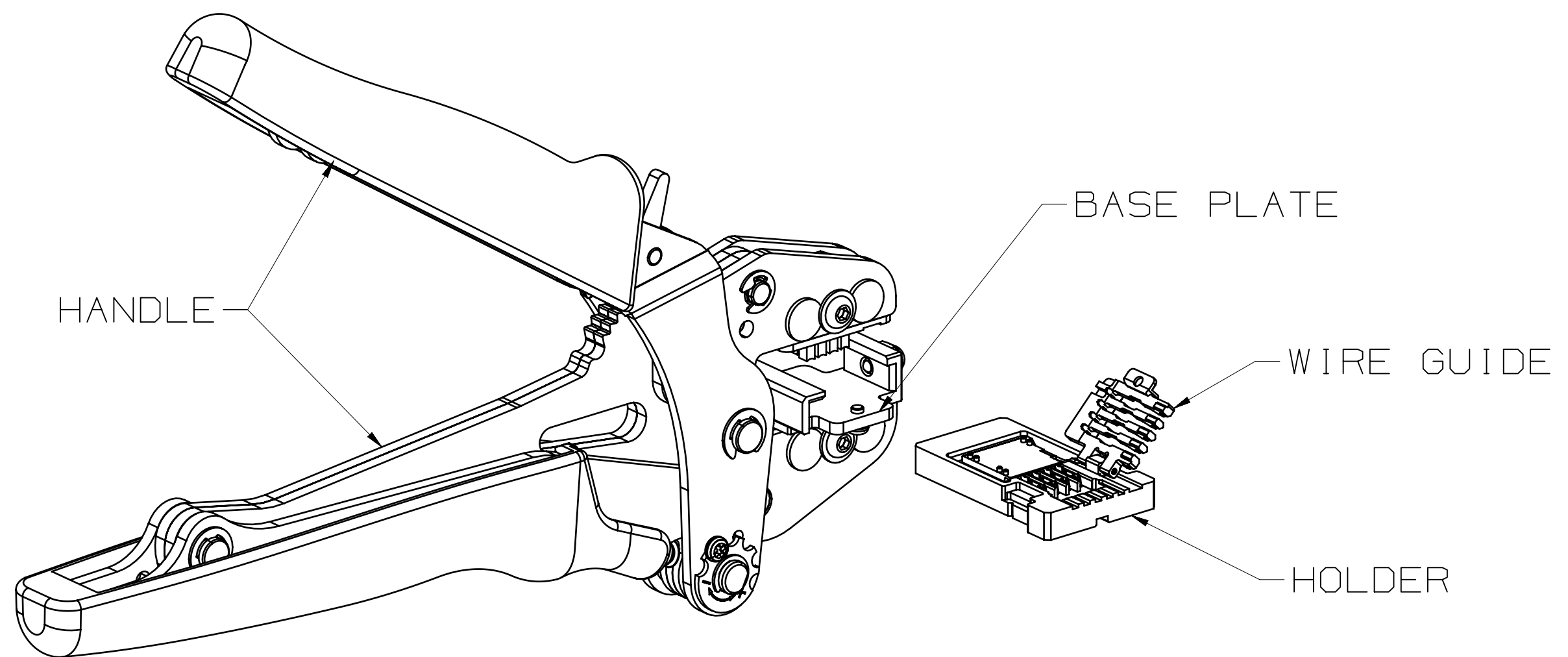


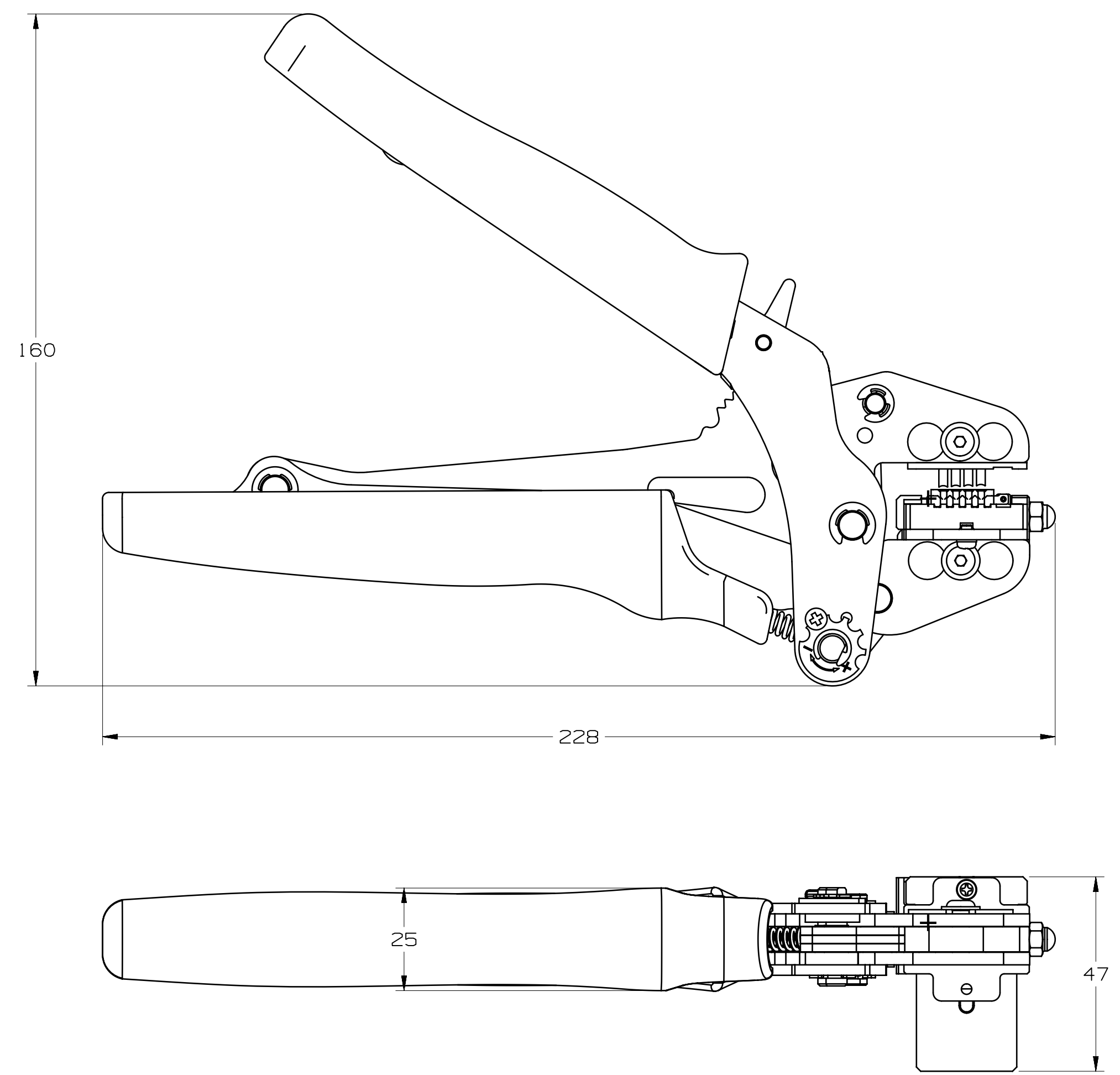
3M™ MINI STACK CONNECTOR, HAND TOOL

- NOTES
- SEE TECH SHEET TS-2725 FOR APPLICABLE CONNECTORS.
 - REFERENCE PRODUCT SPECIFICATION PS-0365



勝特力材料 886-3-5753170
 勝特力电子(上海) 86-21-34970699
 勝特力电子(深圳) 86-755-83298787
[Http://www.100y.com.tw](http://www.100y.com.tw)

ORDER INFORMATION	
3M PART NUMBER	WIRE OD ACCOMMODATION mm (mil)
35900-13	0.6 to 1.0 (24 to 39)
35900-16	over 1.0 to 1.5 (39 to 59)



3M ELECTRONICS MATERIALS SOLUTIONS DIVISION
 INTERCONNECT SOLUTIONS
<http://www.3M.com/interconnect>
 3M IS A TRADEMARK OF 3M COMPANY.
 FOR TECHNICAL, SALES OR ORDERING
 INFORMATION CALL 800-225-5373

DESIGN REFERENCE	NEXT ASSEMBLY	REV	ECO	ISSUE DATE AND DESCRIPTION	DRFT	CHKD
				FEB 03, 2021		
DIVISION		DIVISION CODE		DATE		
DO NOT SCALE DRAWING		SCALE 1/1		TOLERANCES EXCEPT AS NOTED		
THIRD ANGLE PROJECTION		INCHES		MILLIMETERS		
INTERPRET PER ASME Y14.5 - 2018		0 ± .2		.00 ± .013		
MAX SURFACE ROUGHNESS 125		.000 ± .005		ANGLES ± 1°		
ALL SURFACES MARKED ONLY						
CAGE NUMBER		DRAWING NO.		REV.		
D 78-5100-2728-3		A		SHT 1 OF 2		

A 95460 FEB 05, 2021 INITIAL RELEASE LDS FJR
 L SCHMIDT FEB 03, 2021 MFG DATE
 F RODRIGUEZ FEB 05, 2021 DATE
 © 3M COPYRIGHT 2021
 This document and the information it contains are 3M property and may not be reproduced or further distributed without 3M permission, or used or disclosed other than for 3M authorized purposes. All rights reserved.

78-5100-2728-3
 DRAWING NUMBER
 1
 REV. 1
 6
 (hrs)
 UTC
 2/5/2021
 Time
 Standard
 Central
 Image