

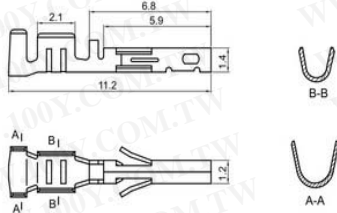
■ 技术参数 SPECIFICATIONS

- 线数 (Poles) : 2~24
- 适用线规 (Applicable wires) : AWG28#~22#
- 适应基板厚度 (Applicable PC board thickness) : 1.6mm
- 温度范围 (Temperature range) : -25℃~85℃
- 额定电压 (Voltage rating) : 250V.Ac/Dc
- 额定电流 (Current rating) : 5A max
- 接触电阻 (Contact resistance) : ≤0.015Ω
- 绝缘电阻 (Insulation resistance) : ≥1000MΩ
- 耐压 (Withstand voltage) : 1000V.Ac/1min
- 材料 (Material) :
 - 插头 (Plug Housing) : 尼龙 (PA66) UL94V-2(0)
 - 插座 (Receptacle housing) : 尼龙 (PA66) UL94V-2(0)
 - 端子 (Terminal) : 磷青铜 (Phos.bronze Tin/plated)

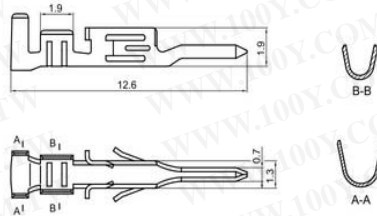
端子 TERMINAL(43030、43031)

型号 Type	适用线规 Applicable wires mm ²	AWG#	电线外径 O.D of wire ins mm	数量 Quantity
HX30001-PT	0.08~0.33	28~22	1.0~1.9	10000PCS/盘
HX30002-RT	0.08~0.33	28~22	1.0~1.9	10000PCS/盘

HX30001-PT(43030、小型5556)

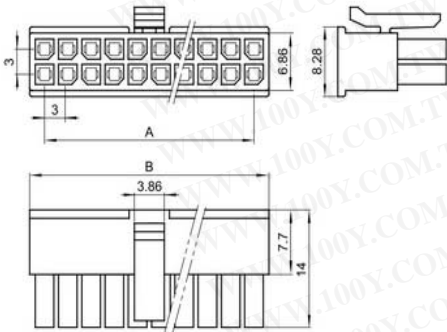


HX30002-RT(43031、小型5558)

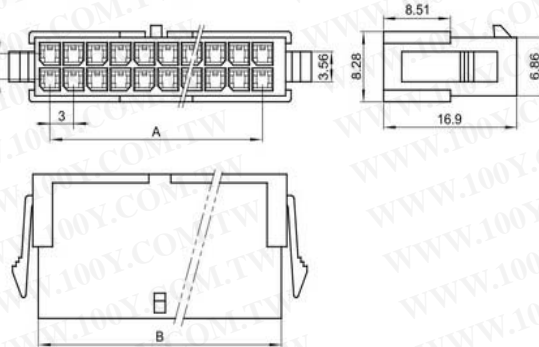


胜特力材料 886-3-5753170
胜特力电子(上海) 86-21-34970699
胜特力电子(深圳) 86-755-83298787
[Http://www.100y.com.tw](http://www.100y.com.tw)

HX30002-P(43025)

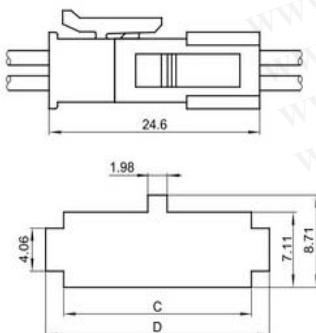


HX30002-R(43020)



■ 安装尺寸

MOUNTING MEASUREMENT



插头 PLUG HOUSING (43025)

插座 RECEPTACLE HOUSING (43020)

线数 Poles	型号 Type	尺寸Dimensions(mm)		线数 Poles	型号 Type	尺寸Dimensions(mm)			
		A	B			A	B	C	D
2	HX30002-2P	0	3.86	2	HX30002-2R	0	3.86	4.21	7.90
4	HX30002-4P	3.0	6.85	4	HX30002-4R	3.0	6.85	7.21	10.90
6	HX30002-6P	6.0	9.85	6	HX30002-6R	6.0	9.85	10.21	13.89
8	HX30002-8P	9.0	12.85	8	HX30002-8R	9.0	12.85	13.21	16.89
10	HX30002-10P	12.0	15.85	10	HX30002-10R	12.0	15.85	16.21	19.89
12	HX30002-12P	15.0	18.85	12	HX30002-12R	15.0	18.85	19.21	22.89
14	HX30002-14P	18.0	21.85	14	HX30002-14R	18.0	21.85	22.20	25.88
16	HX30002-16P	21.0	24.85	16	HX30002-16R	21.0	24.85	25.20	28.88
18	HX30002-18P	24.0	27.85	18	HX30002-18R	24.0	27.85	28.20	31.88
20	HX30002-20P	27.0	30.85	20	HX30002-20R	27.0	30.85	31.22	34.88
22	HX30002-22P	30.0	33.85	22	HX30002-22R	30.0	33.85	34.22	37.87
24	HX30002-24P	33.0	36.85	24	HX30002-24R	33.0	36.85	37.22	40.87