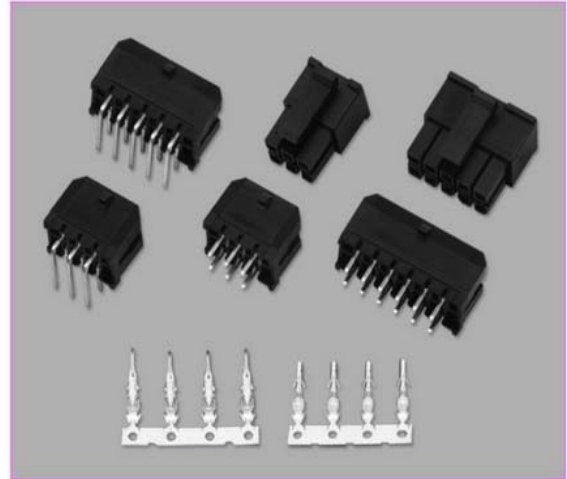


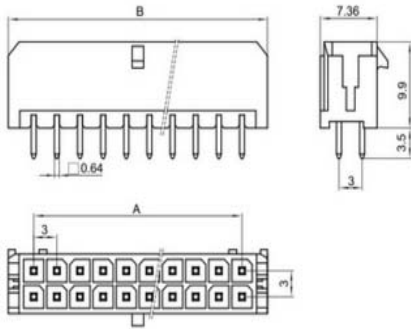


技术参数 SPECIFICATIONS

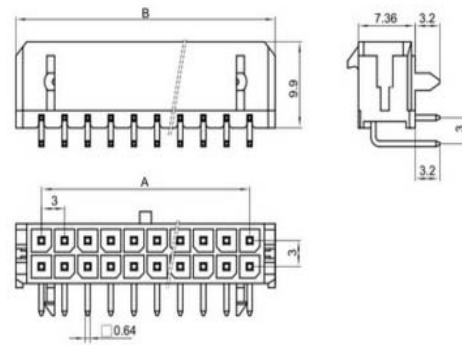
- 线数 (Poles) : 2~24
- 适用线规 (Applicable wires) : AWG28#~22#
- 适应基板厚度 (Applicable PC board thickness) : 1.5~1.6mm
- 温度范围 (Temperature range) : -25°C~85°C
- 额定电压 (Voltage rating) : 250V.Ac/Dc
- 额定电流 (Current rating) : 5A max
- 接触电阻 (Contact resistance) : ≤0.015Ω
- 绝缘电阻 (Insulation resistance) : ≥1000MΩ
- 耐压 (Withstand voltage) : 1000V.Ac/1min
- 材料 (Material) :
 - 插头 (Plug Housing) : 尼龙 (PA66) UL94V-2(0)
 - 针座 (Wafer) : 尼龙 (PA66) UL94V-2(0)
 - 端子 (Terminal) : 磷青铜 (Phos.bronze Tin/plated)



HX30002-A (43045)

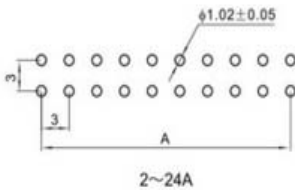


HX30002-WA (43045)



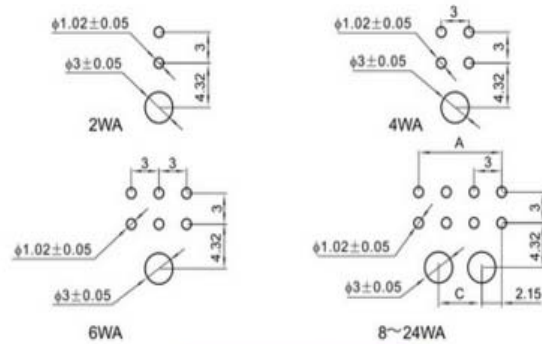
安装尺寸

MOUNTING MEASUREMENT



安装尺寸

MOUNTING MEASUREMENT



胜特力材料 86-3-5753170
 胜特力电子(上海) 86-21-34970699
 胜特力电子(深圳) 86-755-83298787
[Http://www.100y.com.tw](http://www.100y.com.tw)

端子 TERMINAL

端子与HX30001-PT (43030) 型端子通用(P88)
Terminal is interchangeable with HX30001-PT (43030) Terminal(P88)

插头 PLUG HOUSING

插头与HX30002-P (43025) 型插头通用(P88)
Housing is interchangeable with HX30002-P (43025) Plug housing (P88)

针座 WAFER (43045)

线数 Poles	型号 Type		尺寸 Dimensions(mm)		
	直式 (180°)	弯式 (90°)	A	B	C
2	HX30002-2A	HX30002-2WA	0	6.6	0
4	HX30002-4A	HX30002-4WA	3.0	9.6	0
6	HX30002-6A	HX30002-6WA	6.0	12.6	0
8	HX30002-8A	HX30002-8WA	9.0	15.6	4.7
10	HX30002-10A	HX30002-10WA	12.0	18.6	7.7
12	HX30002-12A	HX30002-12WA	15.0	21.6	10.7
14	HX30002-14A	HX30002-14WA	18.0	24.6	13.7
16	HX30002-16A	HX30002-16WA	21.0	27.6	16.7
18	HX30002-18A	HX30002-18WA	24.0	30.6	19.7
20	HX30002-20A	HX30002-20WA	27.0	33.6	22.7
22	HX30002-22A	HX30002-22WA	30.0	36.6	25.7
24	HX30002-24A	HX30002-24WA	33.0	39.6	28.7