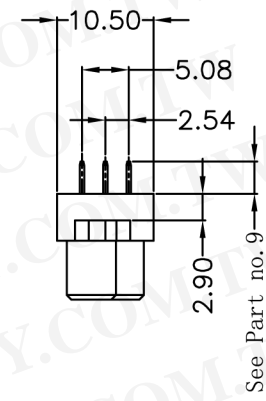
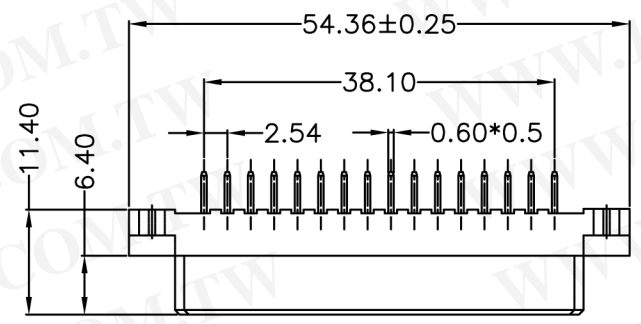
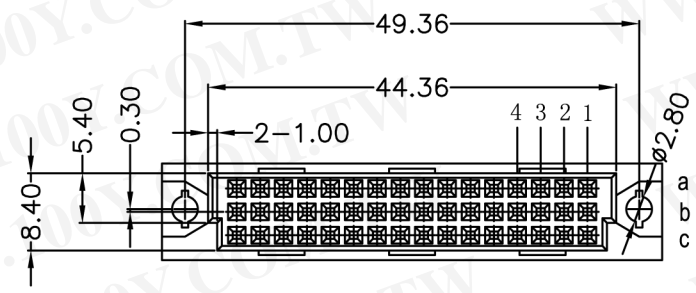


REV.	ECN NO.	DESCRIPTION	DATE	DESIGN



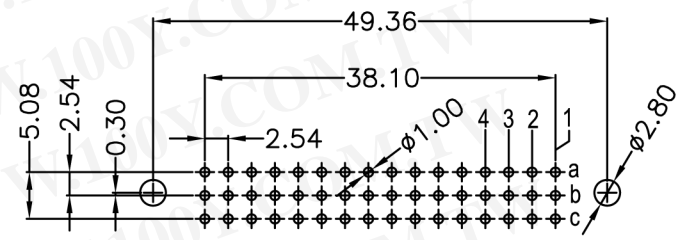
SPECIFICATION
MATERIAL
 Housing: PBT+5%PC UL94V-0 COLOR: BEIGE
 Contacts: PhosPhor Bronze
CONTACT PLATING
 S=GOLD FLASH PLATED ON CONTACT AREA, TIN PLATED ON SOLDER TAIL, Ni UNDER PLATED ALL OVER.
 A=5u" (Selective)
 B=10u" (Selective)
 C=15u" (Selective)
 D=30u" (Selective)
ELECTRICAL
 Current rating: 2 Amps .
 Contact resistance: 20 mohms initial
 Insulation resistance: 100000 Mohms min @ 500 VDC
 Dielectric withstanding voltage: 1000 VAC / minute
 Operating temperature: -55° C TO +125° C



勝特力材料 886-3-5753170
 勝特力电子(上海) 86-21-34970699
 勝特力电子(深圳) 86-755-83298787
[Http://www.100y.com.tw](http://www.100y.com.tw)

Part no. $\frac{A02}{1} \frac{A}{2} - \frac{048}{3} \frac{F}{4} \frac{X}{5} \frac{S}{6} \frac{C}{7} \frac{A}{8} \frac{X}{9} \frac{5}{10}$

- | | |
|---|---|
| 1. SERIES NO. | 7. PROCESS OPTION: |
| 2. TYPE:
A=Standard | C=3*16Housing (Male=90°
Female=180°) |
| 3. CONTACT NUMBER | 8. ROW SPACING:
A=2.54mm (a+b+c) |
| 4. CONTACT TYPE:
F=Female | 9. CONTACT LENGTH:
A=2.8mm
B=4.0mm
F=3.5mm |
| 5. CONTACT AREA PLATING:
SEE SPECIFICATION | 10. INSULATOR COLOR:
5=BEIGE |
| 6. FUNCTION OPTION:
S=STRAIGHT | |



PCB LAYOUT (RECOMMENDED)
 (TOP VIEW TOL. :±0.05)

公差一览表			nextun® CONNECTOR				
TOLERANCE UNLESS OTHERWISE			单位	制图	姚登攀	产品名称	欧式插座 348 0.5S型 180度 母座
X.	±0.25	X°	±5°	mm	设计		
.X	±0.20	.X°	±2°	角法	设计	姚登攀	
.XX	±0.15	.XX°	±1°	VIEW	审核		图号 DRAW NO.
.XXX	±0.02	.XXX°	±0.5°	SCALE	核准		
日期 DATE	2009.09.15		版本 VER	A0	核准		A02A-048FXSCAX5