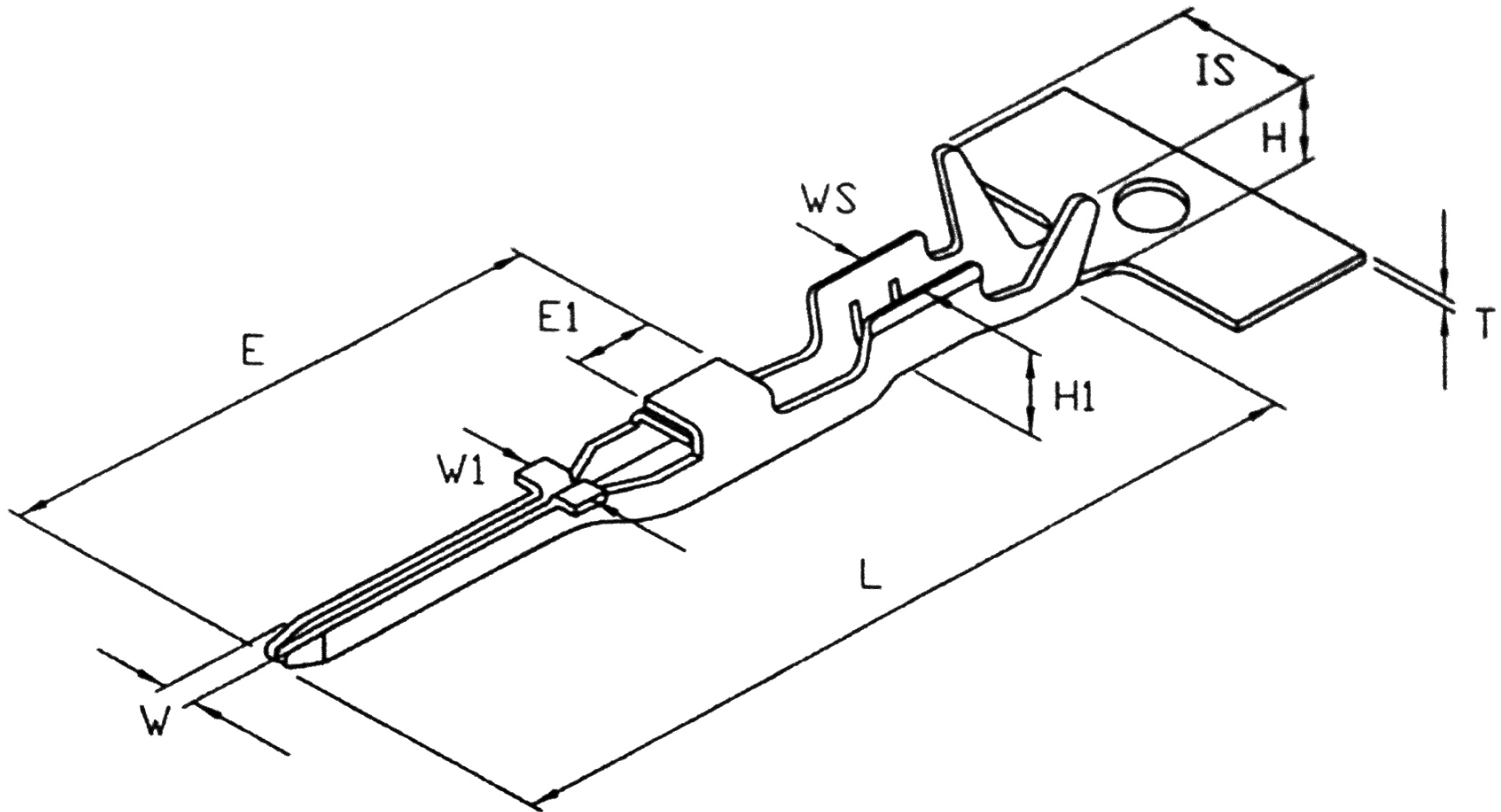


DRAWING OF FINISHED PRODUCTS



ITEM NO:J3201BS-2

MATERIAL:BRASS

THICKNESS:0.2

HARDNESS:H

APPLICABLE WIRE:(AWG)24-28

PLATING:TIN 40 μ MIN.

INSULATION O.D.:1.5 MAX.

VOLTAGE RATING:AC/250V,DC/350V

CURRENT RATING:AC,DC,3A

TEMPERATURE RANGE : -25°C TO +85°C

DIMENSION:(MM)

T:0.2 \pm 0.03

L:17.8 \pm 0.3

E:10.8 \pm 0.25

E1:1.9 \pm 0.1

W:0.64 \pm 0.03

W1:1.5 \pm 0.15

IS:2.3 \pm 0.25

WS:1.5 \pm 0.25

H:2.6 \pm 0.25

H1:1.8 \pm 0.25