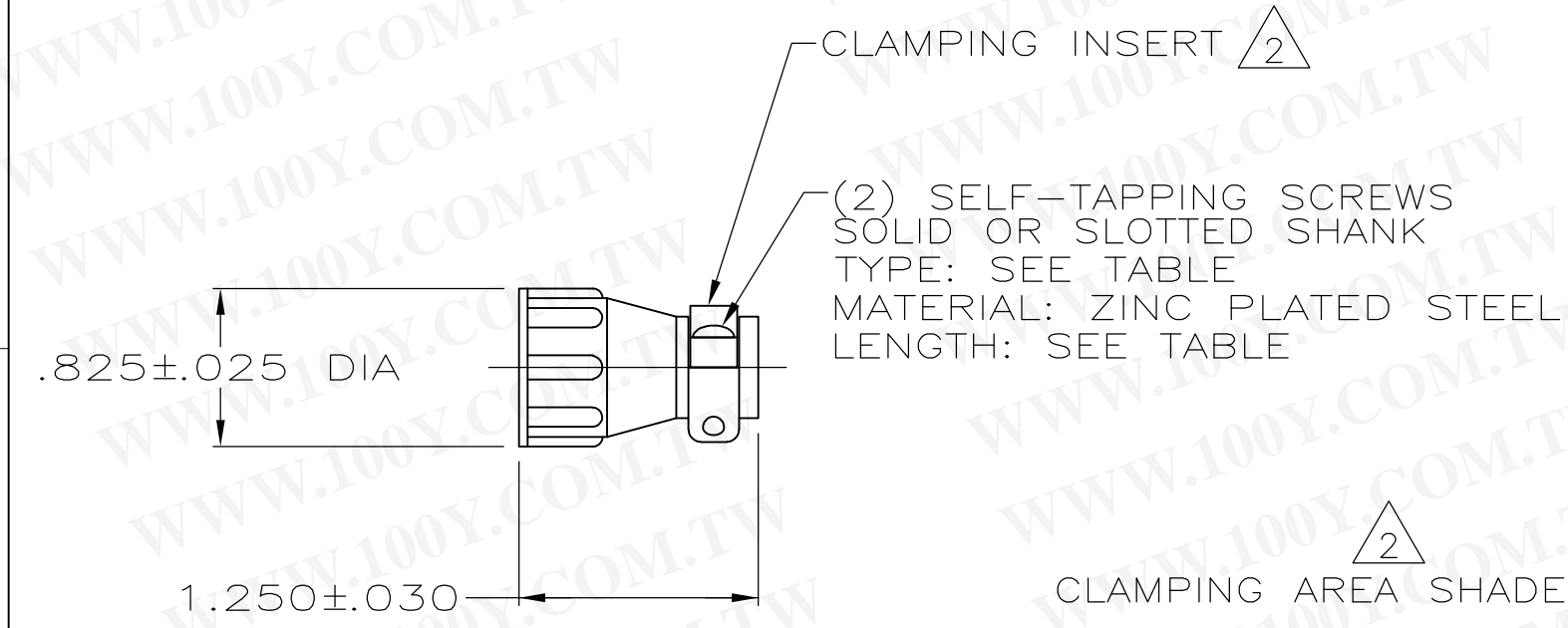


THIS DRAWING IS UNPUBLISHED. RELEASED FOR PUBLICATION
 © COPYRIGHT BY TYCO ELECTRONICS CORPORATION. ALL INTERNATIONAL RIGHTS RESERVED.

LOC	DIST	REVISIONS			
P	LTR	DESCRIPTION	DATE	DWN	APVD
		U3	REVISED PER ECO-10-012730	20SEP10	HMR MG



- 1 PARTS PACKAGED UNASSEMBLED.
- 2 CABLE CLAMPING AREA ADJUSTABLE FROM .004 TO .055 SQ IN BY REVERSING CLAMPING INSERTS.
- 3 .329 MAXIMUM CABLE OUTSIDE DIAMETER.
- 4 BULK PACKAGED KITS TO BE ORDERED IN MULTIPLES OF 400 ONLY.
- 5 OBSOLETE PART NUMBER.
- 6 STAINLESS STEEL (NON MAGNATIC).
- 7 CABLE CLAMP WITH NON-MAGNETIC STAINLESS STEEL SCREWS.
- 8 ZINC PLATED STEEL, NON-HEXAVALENT CHROMATE.
- 9 OBSOLETE PARTS: OBSOLETE CIS STREAMLINING PER D.RENAUD/D.SINISI

勝特力材料 886-3-5753170
 胜特力电子(上海) 86-21-34970699
 胜特力电子(深圳) 86-755-83298787
 Http://www.100y.com.tw

△4 BULK	△6	.50 ^{±.00} _{-.05}	#5-20	1-206062-7
INDIVIDUAL	△8	.38 ^{±.00} _{-.05}	#5-20	1-206062-6
△4 BULK	△8	.38 ^{±.00} _{-.05}	#5-20	1-206062-5
INDIVIDUAL	△8	.50 ^{±.00} _{-.05}	#5-20	1-206062-4
INDIVIDUAL	△8	.62 ^{±.00} _{-.05}	#5-20	1-206062-3
INDIVIDUAL	△6	.50 ^{±.00} _{-.05}	#5-20	1-206062-2
△7 SUPERSEDED BY 1-206062-3	INDIVIDUAL	△8	#5-20	1-206062-1
△9 OBSOLETE	SMALL PACK	△8	#5-20	1-206062-0
AMP BRAZIL USE ONLY	INDIVIDUAL	12mm ^{±.0} _{-.8}	3mm-20	△5 206062-9
AMP BRAZIL USE ONLY	INDIVIDUAL	10mm ^{±.0} _{-.8}	3mm-20	△5 206062-8
△4 SUPERSEDED BY 1-206062-7	BULK	△6	#5-20	206062-4
△4 SUPERSEDED BY 1-206062-4	INDIVIDUAL	△8	#5-20	206062-3
△4 SUPERSEDED BY 1-206062-5	BULK	△8	#5-20	206062-2
△4 SUPERSEDED BY 1-206062-6	INDIVIDUAL	△8	#5-20	206062-1
PACKAGING	SCREW FINISH	SCREW LENGTH	SCREW TYPE	PART NUMBER

THIS DRAWING IS A CONTROLLED DOCUMENT.		DWN A GRAFF 4/29/91	Tyco Electronics Corporation Harrisburg, PA 17105-3608	
DIMENSIONS: INCHES		CHK W.G.LENKER 7-22-92	NAME CABLE CLAMP KIT, STANDARD, SHELL SIZE 11, CPC	
TOLERANCES UNLESS OTHERWISE SPECIFIED:		APVD -	PRODUCT SPEC -	
0 PLC ± -		APPLICATION SPEC -		
1 PLC ± -		SIZE A3		
2 PLC ± -		CAGE CODE 00779		
3 PLC ± -		DRAWING NO C=206062		
4 PLC ± -		RESTRICTED TO -		
ANGLES ± -		SCALE NTS		
FINISH -		SHEET 1 OF 1		
MATERIAL THERMOPLASTIC		REV U3		
CUSTOMER DRAWING				