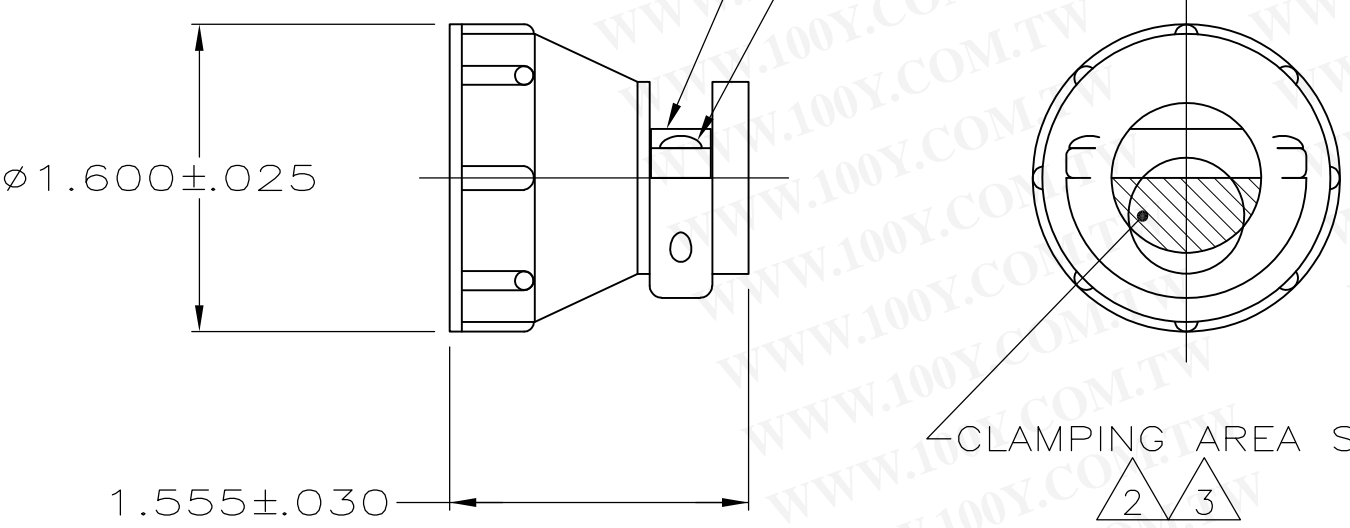


THIS DRAWING IS UNPUBLISHED. RELEASED FOR PUBLICATION
 © COPYRIGHT - By - ALL RIGHTS RESERVED.

LOC	DIST	REVISIONS			
P	LTR	DESCRIPTION	DATE	DWN	APVD
FT	0	S4	REVISED PER ECO-11-004587	11MAR11	RK HMR

- 1 PARTS PACKAGED UNASSEMBLED.
- △2 CABLE CLAMPING AREA ADJUSTABLE FROM .100 TO .410 SQ IN BY REVERSING CLAMPING INSERTS. (2 INSERTS SUPPLIED)
- △3 CABLE CLAMPING AREA ADJUSTABLE FROM .100 TO .410 SQ IN BY CHANGING CLAMPING INSERTS. (4 INSERTS SUPPLIED, -3 ONLY)
- 4 .703 MAXIMUM CABLE OUTSIDE DIAMETER.
- △5 BULK PACKAGED KITS TO BE ORDERED IN MULTIPLES OF 100 ONLY.
- △6 SCREW FINISH ZINC WITH NON-HEXAVALENT CHROMATE.
- △7 OBSOLETE PARTS: OBSOLETE CIS STREAMLINING PER D.RENAUD/D.SINISI

勝特力材料 886-3-5753170
 勝特力电子(上海) 86-21-34970699
 勝特力电子(深圳) 86-755-83298787
[Http://www.100y.com.tw](http://www.100y.com.tw)



△2	.75 ^{±.00} / _{-.05}	INDIVIDUAL	1-206138-2
△2	.75 ^{±.00} / _{-.05} / .62 ^{±.00} / _{-.05}	INDIVIDUAL	1-206138-1
△2	.62 ^{±.00} / _{-.05}	△5 BULK	1-206138-0
△2 △7	OBSOLETE	SMALL PACK	-206138-9
△2	.62 ^{±.00} / _{-.05}	INDIVIDUAL	206138-8
△2 △7	SUPERSEDED BY 1-206138-1	INDIVIDUAL	-206138-7
△7	OBSOLETE	SMALL PACK	-206138-6
△7	OBSOLETE	△5 BULK	206138-3
△2	SUPERSEDED BY 1-206138-0	△5 BULK	206138-2
△2	SUPERSEDED BY 206138-8	INDIVIDUAL	206138-1
	SCREW LENGTH	PACKAGING	PART NUMBER

THIS DRAWING IS A CONTROLLED DOCUMENT.		DWN	4/23/91		STE TE Connectivity			
DIMENSIONS: INCHES		CHK	7-22-92					
TOLERANCES UNLESS OTHERWISE SPECIFIED:		W.G.LENKER						
0 PLC ± - 1 PLC ± - 2 PLC ± - 3 PLC ± - 4 PLC ± - ANGLES ± - FINISH ± -		NAME						
MATERIAL: THERMOPLASTIC		PRODUCT SPEC: 108-10024			CABLE CLAMP KIT, STANDARD, SHELL SIZE 23, CPC			
		APPLICATION SPEC: -			SIZE: A3	CAGE CODE: 00779	DRAWING NO: C-206138	RESTRICTED TO: -
		WEIGHT: -			SCALE: NTS		SHEET: 1 OF 1	REV: S4
		CUSTOMER DRAWING						