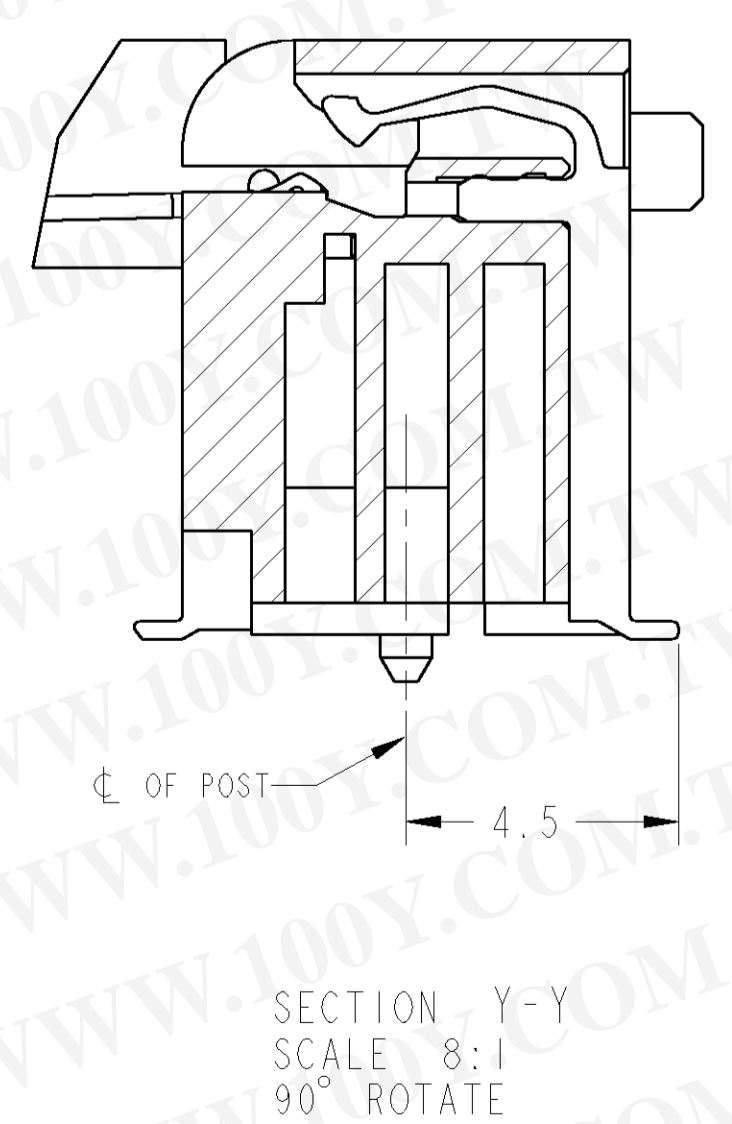
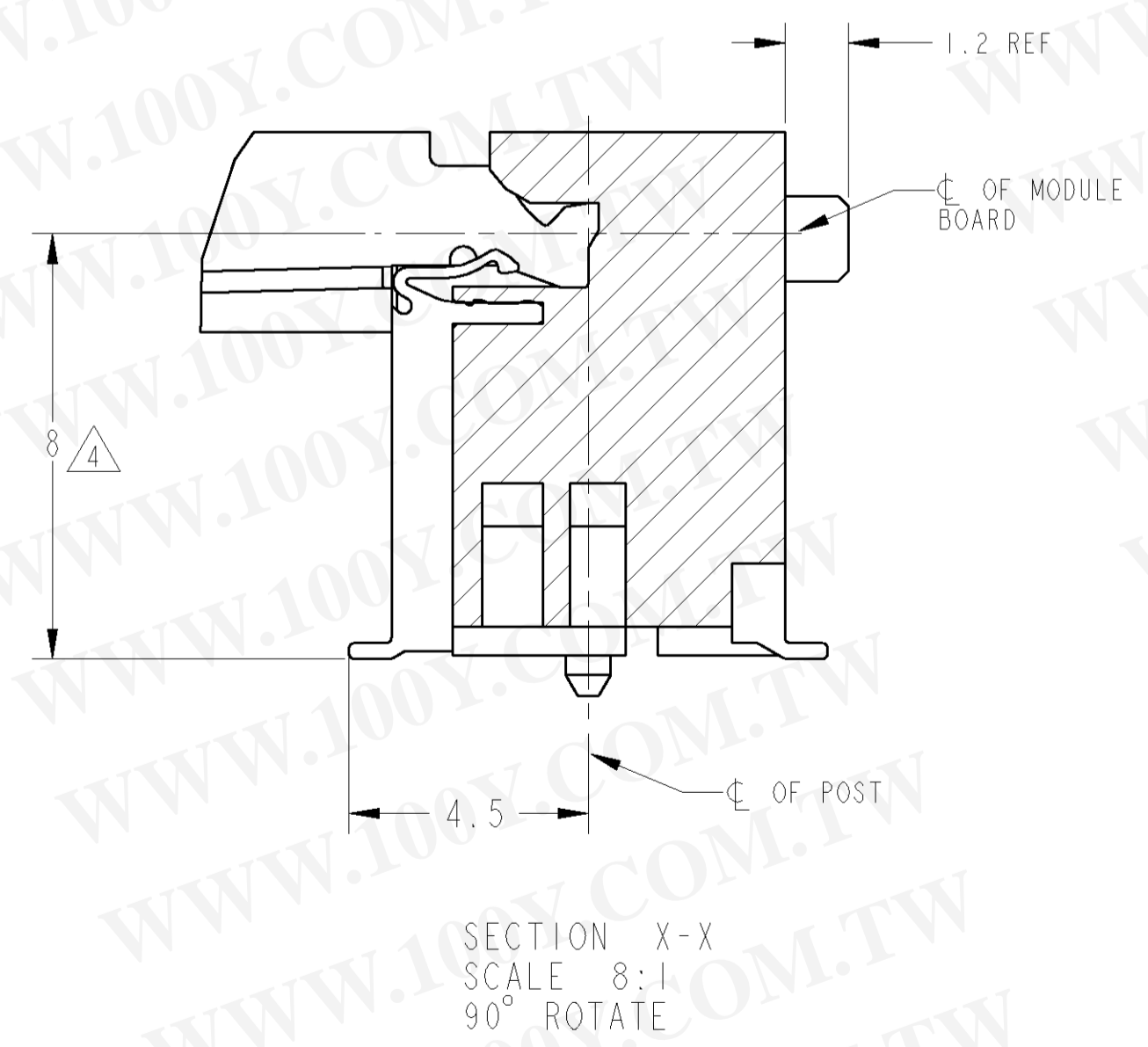
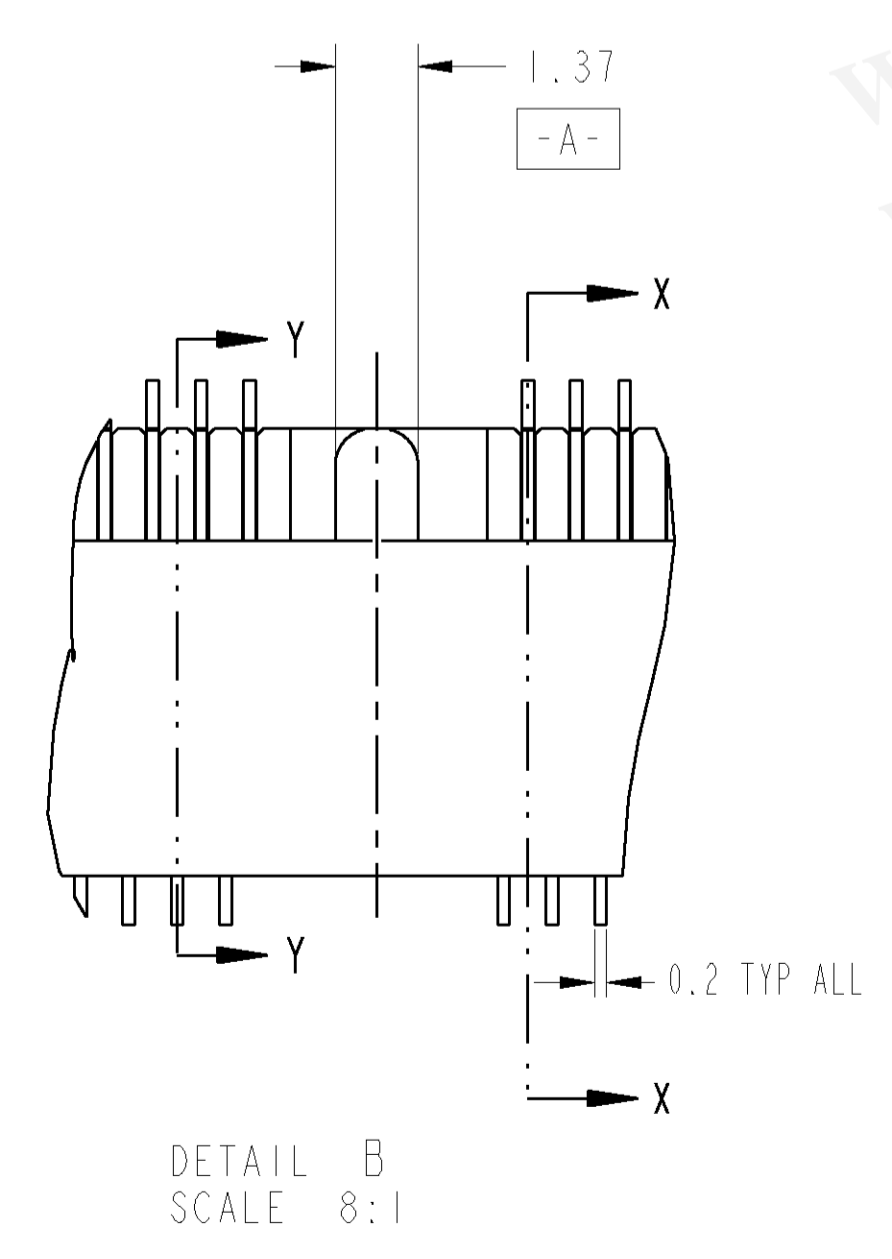
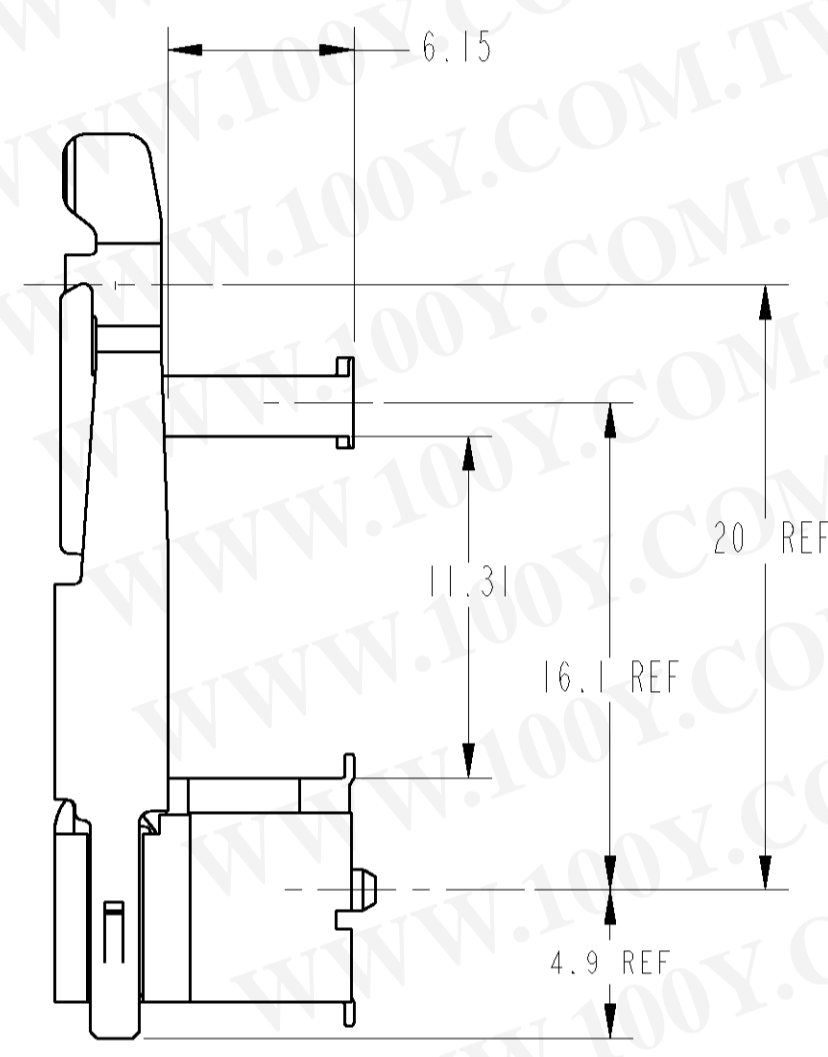
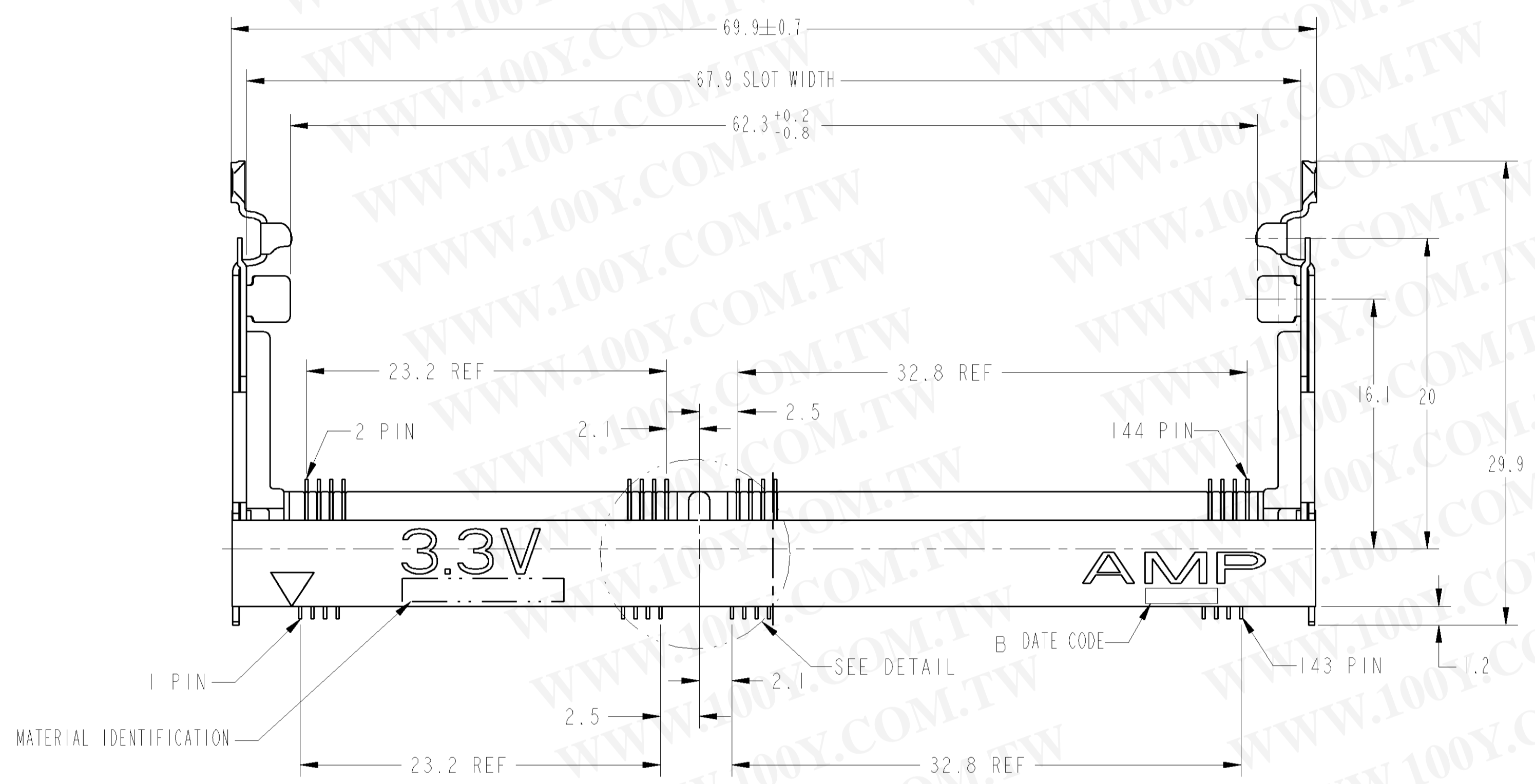
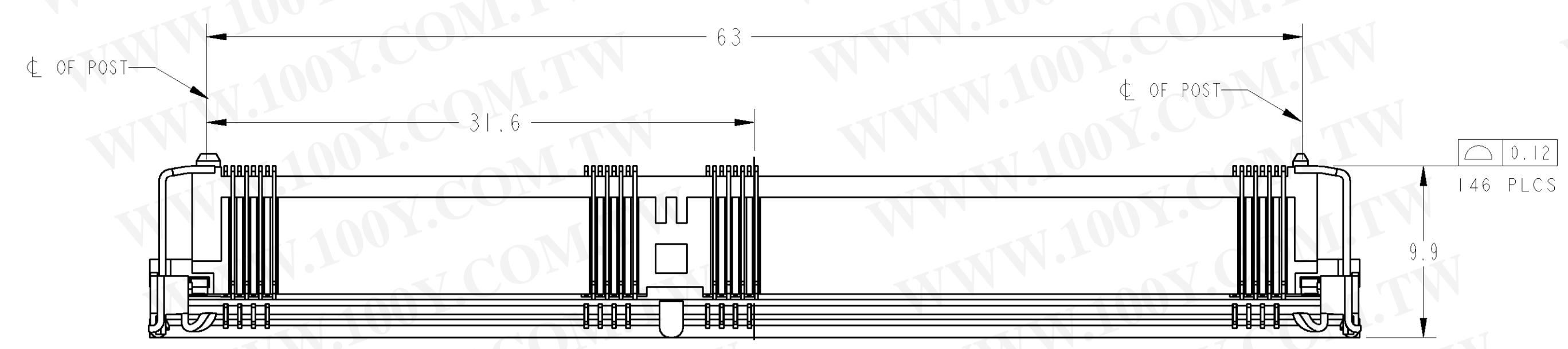


REVISONS		DATE	BY	APPD
1	REVISED ECR-05-012431	05OCT05	SYJ	LSF

勝特力材料 886-3-5753170
勝特力电子(上海) 86-21-34970699
勝特力电子(深圳) 86-755-83298787
Http://www.100y.com.tw

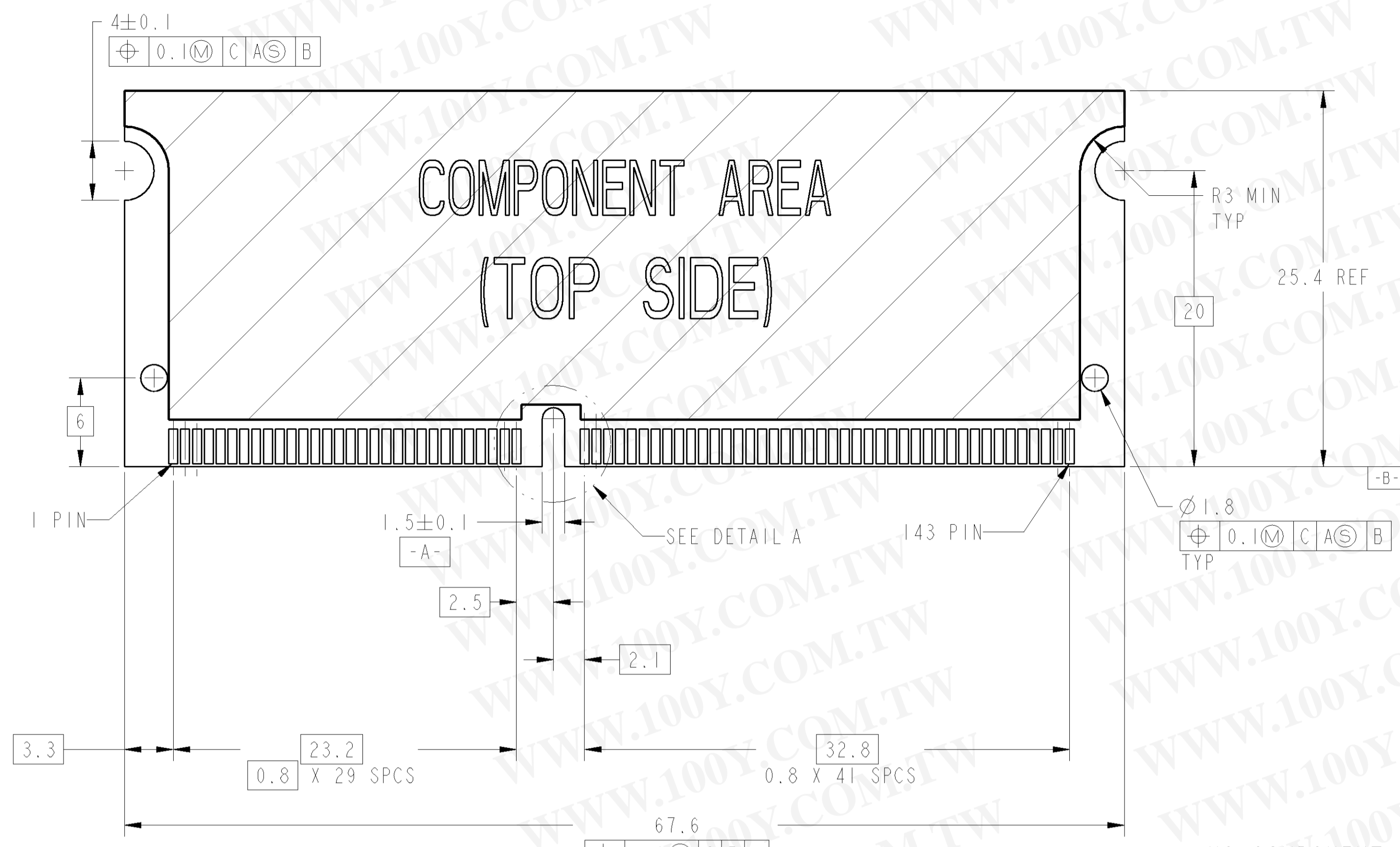
- △ MATERIAL, HOUSING, HIGH TEMP. PLASTIC, UL94V-0
CONTACT: COPPER ALLOY
LOCK LEVER: SUS301 TIN PLATING.
- △ FINISH; CONTACT AREA: 0.00025 MIN GOLD PLT ON
0.001 MIN ALL OVER NICKEL
SOLDERING AREA: 0.00005 MIN TO 0.00030 MAX GOLD PLATE
- 3. TOLERANCES NON-ACCUMULATIVE.
- △ DIMENSIONING TO MODULE CENTER LINE.
- △ PART PACKAGING PER EIA-18-704 STANDARD REEL
DIAMETER SHALL BE 330mm. TAPE WIDTH SHALL
BE 88mm AND TAPE PITCH SHALL BE 36mm



AVAILABLE	SDRAM 3.3V	144	6-390322-1	△5
AVAILABLE	SDRAM 3.3V	144	390322-1	
REMARKS	POWER SUPPLY	POS	PART NUMBER	

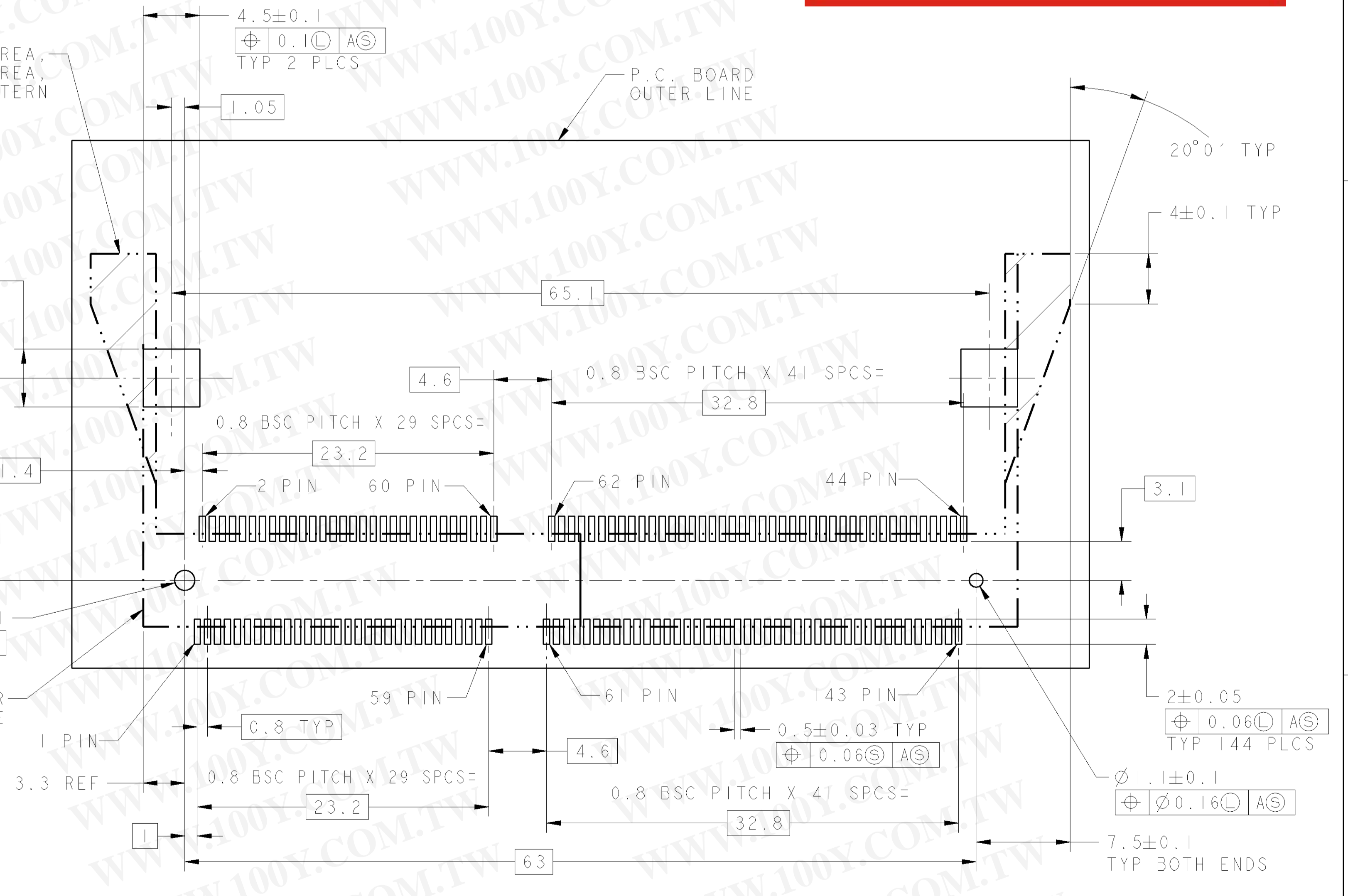
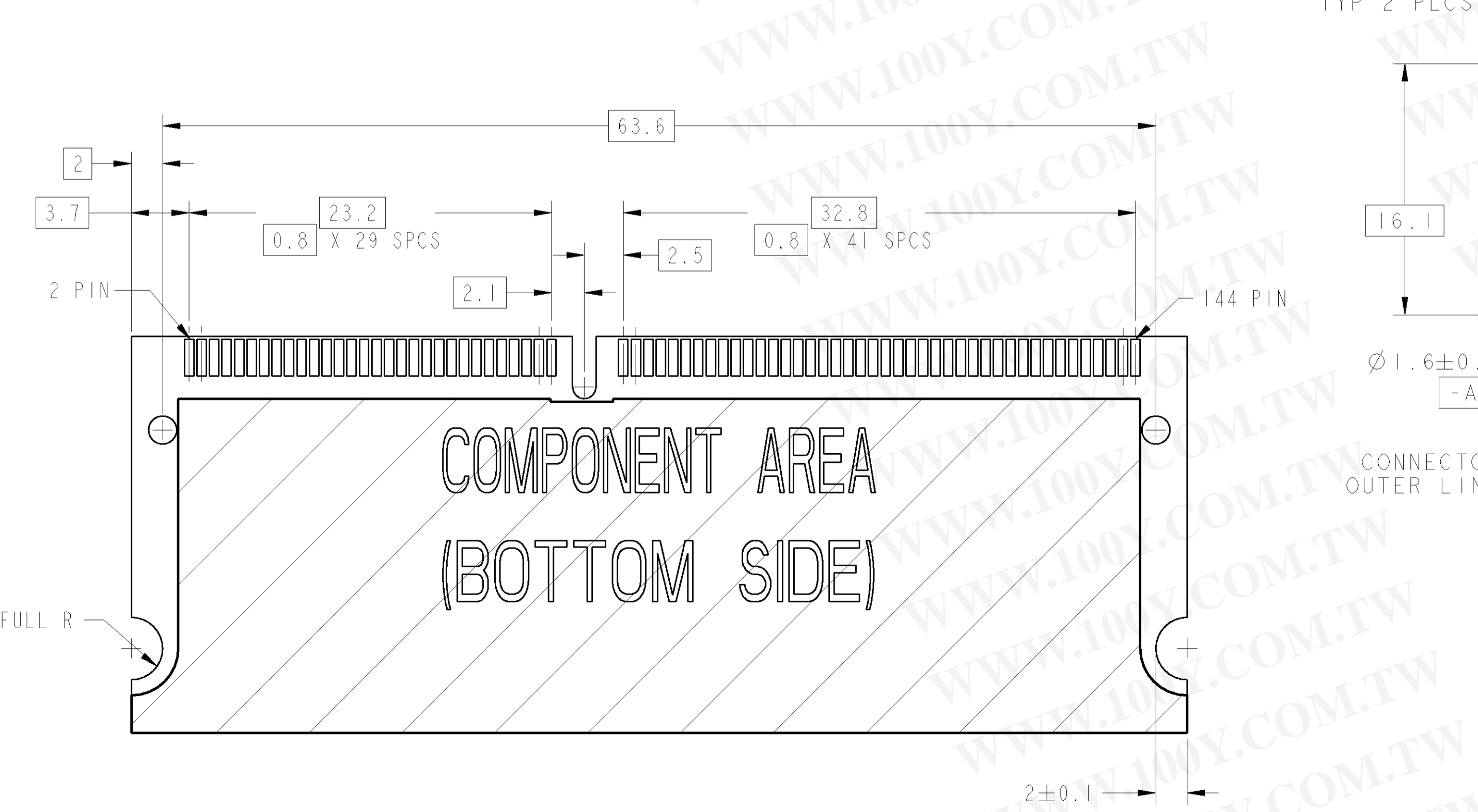
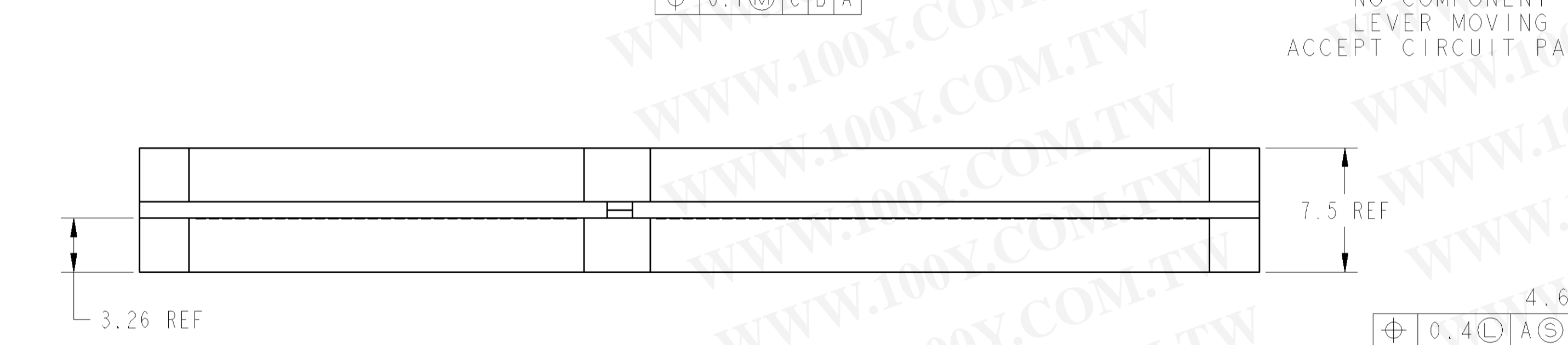
<small>THIS DRAWING IS A CONTROLLED DOCUMENT FOR AMP INCORPORATED. ALL CHANGES TO THIS DRAWING AND THE CONTROLLING ENGINEERING ORGANIZATION SHOULD BE CONTACTED FOR THE LATEST REVISION.</small>		DWN: J. BURWELL 8NOV99 CKW: K. KREIDLER 22JUL99 APD: SE LEONG NAME: S.O.DIM SOCKET ASSY, 0.8mm PITCH PRODUCT SPEC: 144 POS., 8mm PROFILE APPLICATION SPEC: FOR SDRAM TYPE MODULE
DIMENSIONS: mm TOLERANCES UNLESS OTHERWISE SPECIFIED: 0 PLC ± 1 PLC ±0.2 2 PLC ±0.2 3 PLC ±0.2 4 PLC ± ANGLES ±	MATERIAL: △ FINISH: △	AMP MANUFACTURING (SINGAPORE) PTE. LTD. SIZE: A1 CAGE CODE: 00779 DRAWING NO: C=390322 SCALE: 4:1 SHEET: 1 OF 2 REV: K

LOC	DIST	REVISIONS			
SY		REV	DESCRIPTION	DATE	BY
		1	SEE SHEET 1		



DETAIL A
SCALE 8:1
(GRAM 3.3V)

勝特力材料 886-3-5753170
勝特力电子(上海) 86-21-34970699
勝特力电子(深圳) 86-755-83298787
[Http://www.100y.com.tw](http://www.100y.com.tw)



<small>THIS DRAWING IS A CONTROLLED DOCUMENT FOR AMP INCORPORATED. ALL INFORMATION CONTAINED HEREIN IS UNCLASSIFIED UNLESS OTHERWISE SPECIFIED. ORGANIZATION SHOULD BE CONTACTED FOR THE LATEST REVISION.</small>		DWN: J. BURWELL 01FEB01 CKD: K. KREIDLER 23JUL99 APD: SE LEONG PRODUCT SPEC APPLICATION SPEC WEIGHT CUSTOMER DRAWING	AMP AMP MANUFACTURING (SINGAPORE) PTE. LTD. NAME: 3.0-DIMM SOCKET ASSY., 0.8mm PITCH 144 POS., 8mm PROFILE FOR SDRAM TYPE MODULE SIZE: A1 CAGE CODE: 00779 DRAWING NO: C=390322 SCALE: 4:1 SHEET 2 OF 2 REV K
DIMENSIONS: mm 	TOLERANCES UNLESS OTHERWISE SPECIFIED: 0 PLG ± 1 PLG ±0.2 2 PLG ±0.2 3 PLG ±0.2 4 PLG ± ANGLES ± MATERIAL FINISH	DATE: 01FEB01 DRAWN BY: J. BURWELL CHECKED BY: K. KREIDLER APPROVED BY: SE LEONG PRODUCT SPEC: 3.0-DIMM SOCKET ASSY., 0.8mm PITCH, 144 POS., 8mm PROFILE FOR SDRAM TYPE MODULE APPLICATION SPEC: WEIGHT: CUSTOMER DRAWING:	NAME: AMP MANUFACTURING (SINGAPORE) PTE. LTD. PRODUCT SPEC: 3.0-DIMM SOCKET ASSY., 0.8mm PITCH, 144 POS., 8mm PROFILE FOR SDRAM TYPE MODULE APPLICATION SPEC: WEIGHT: CUSTOMER DRAWING:

勝特力材料 886-3-5753170
勝特力电子(上海) 86-21-34970699
勝特力电子(深圳) 86-755-83298787
[Http://www.100y.com.tw](http://www.100y.com.tw)

