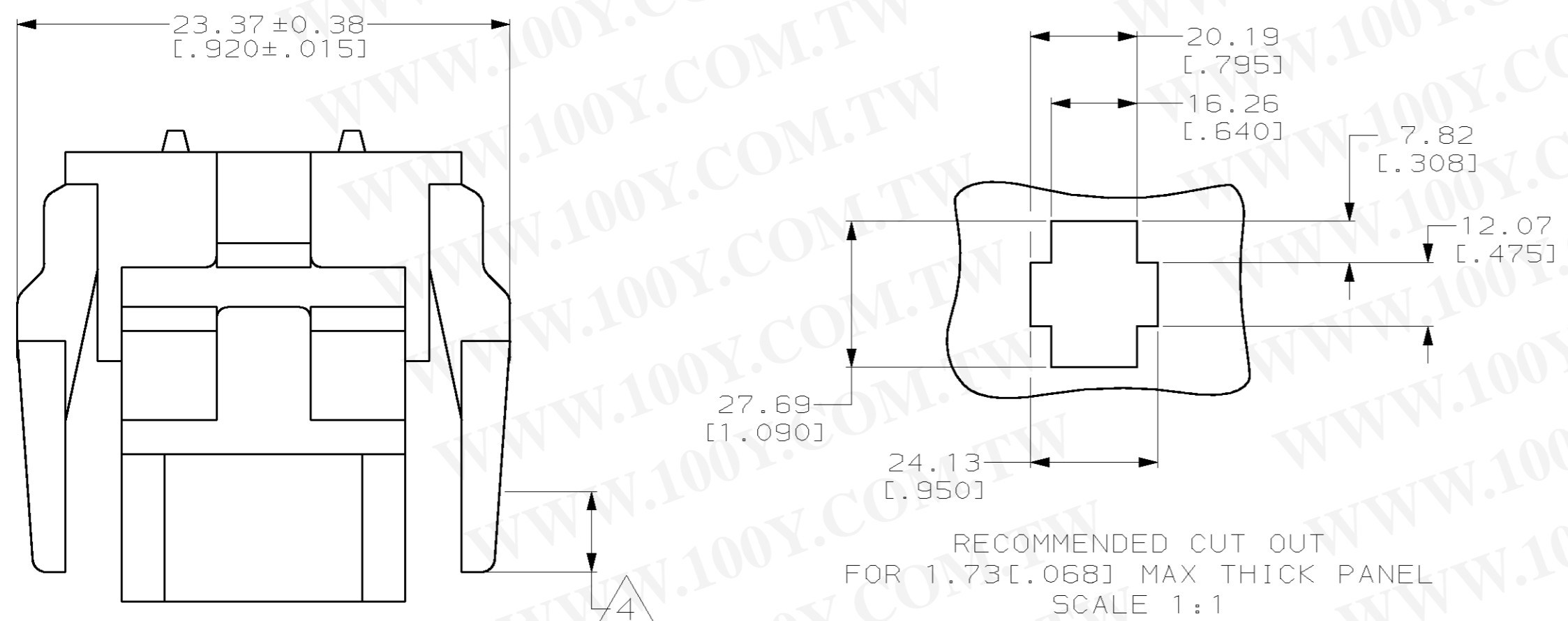
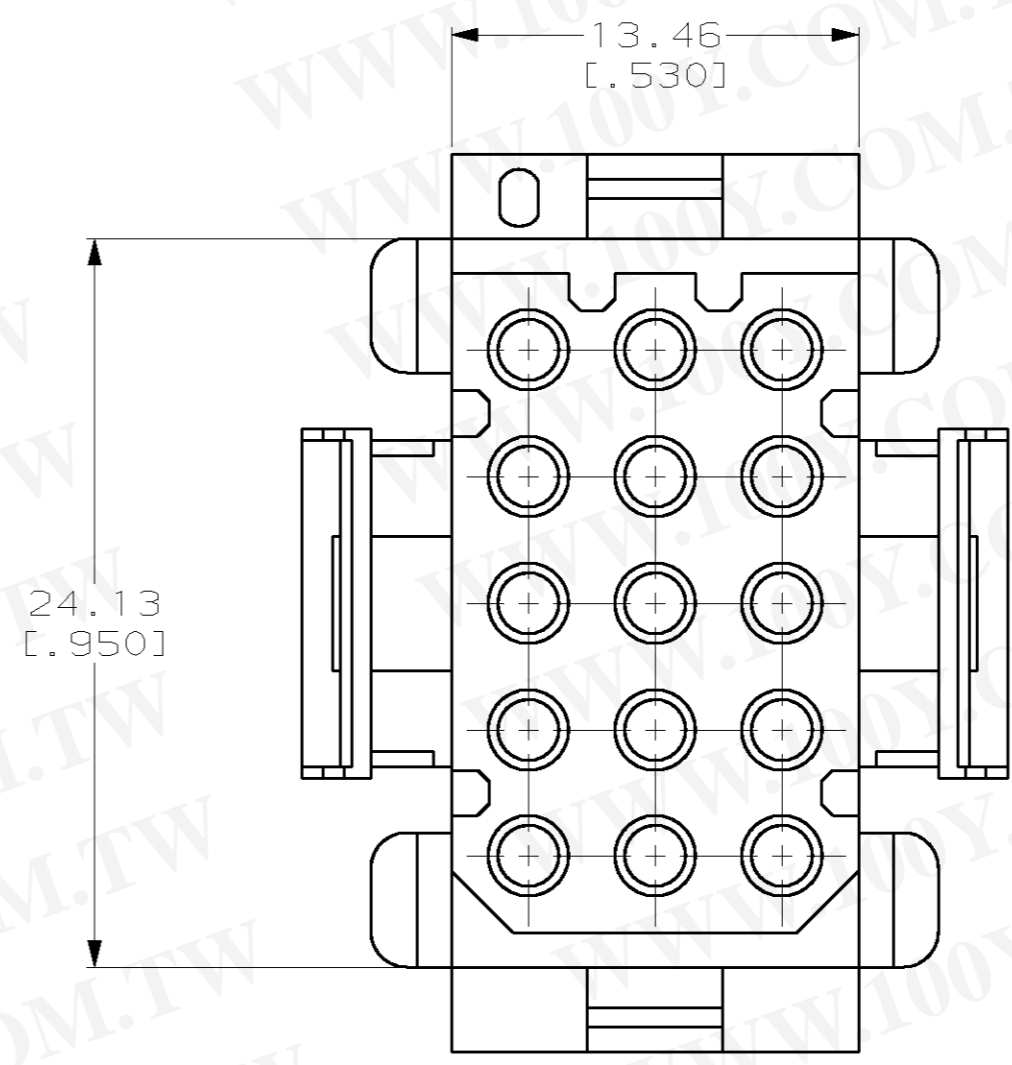
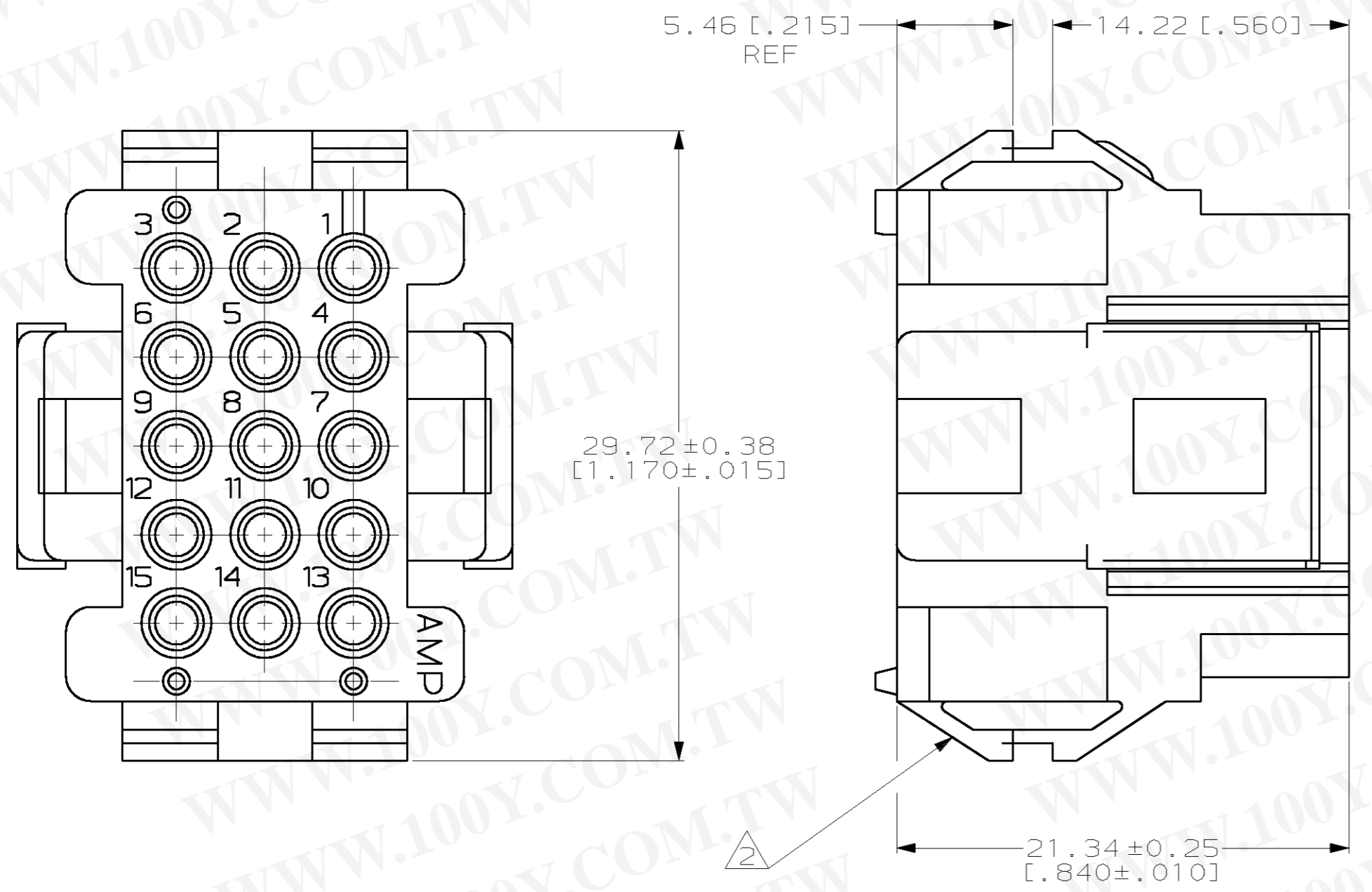


THIS DRAWING IS UNPUBLISHED. RELEASED FOR PUBLICATION .19  
 © COPYRIGHT 19 BY AMP INCORPORATED. ALL RIGHTS RESERVED.

LOC		DIST		REVISIONS			
P	LTR	DESCRIPTION	DATE	DWN	APVD		
CM	52	E	REVISED PER EC 063B-0104-99	05-OCT-99	KW	KC	



RECOMMENDED CUT OUT  
 FOR 1.73 [.068] MAX THICK PANEL  
 SCALE 1:1

**METRIC**

- MATES WITH HOUSING 640513.
- UL LOGO AND CSA LOGO TO APPEAR ON EITHER LATCH SURFACE PER AMP SPEC 202-20, I.D. NO. 1-18838-3 AND 1-18839-3. FROST BACKGROUND OPTIONAL.
- DIMENSIONS IN BRACKETS ARE IN INCHES.
- NON-FILL PERMITTED UP TO 3.8 [.15] FROM EDGE OF LATCH ARM ON THE 0.38 [.015] THICK FLANGE, 4 PLC.

勝特力材料 886-3-5753170  
 勝特力电子(上海) 86-21-34970699  
 勝特力电子(深圳) 86-755-83298787  
[Http://www.100y.com.tw](http://www.100y.com.tw)

1-640523-0  
 PART NUMBER

THIS DRAWING IS A CONTROLLED DOCUMENT.		DWN	R. VESTAL	12-01-97	AMP Incorporated Harrisburg, PA 17105-3608
DIMENSIONS:		CHK	R. SWING	12-01-97	
mm [INCHES]		APVD	A. BEDDICK	12-01-97	
TOLERANCES UNLESS OTHERWISE SPECIFIED:		NAME		HOUSING, PLUG	
0 PLC	±	PRODUCT SPEC		MRII	
1 PLC	±	APPLICATION SPEC		15 POSITION	
2 PLC	±0.13 [.005]	SIZE	A2	CAGE CODE	00779
3 PLC	±	DRAWING NO.	C-640523		
4 PLC	±	WEIGHT	SCALE 4:1 SHEET 1 OF 1 REV E		
ANGLES	±0°30'	CUSTOMER DRAWING			
MATERIAL	NYLON, UL 94V-0, NATURAL (BRICK RED)	FINISH			