

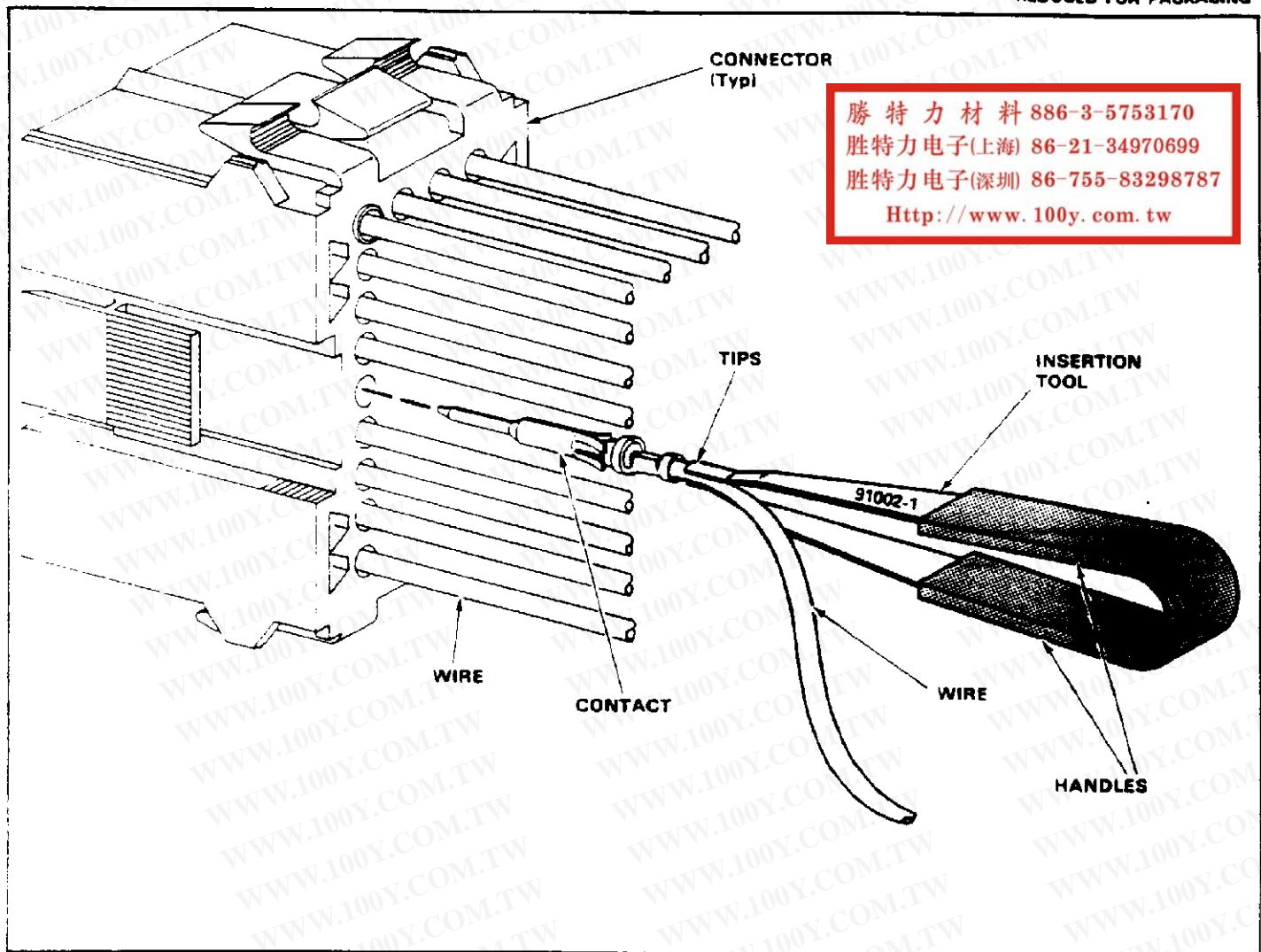
AMPAMP INCORPORATED
Harrisburg, Pa. 17105

AMP ★ INSERTION TOOLS 91002-1 AND -2

Instruction Sheet
IS 7347

RELEASED 4-23-81

REDUCED FOR PACKAGING



勝特力材料 886-3-5753170
 勝特力电子(上海) 86-21-34970699
 勝特力电子(深圳) 86-755-83298787
[Http://www.100y.com.tw](http://www.100y.com.tw)

Fig. 1

1. INTRODUCTION

This instruction sheet covers the use of the AMP Insertion Tools 91002-1 and -2 which are designed to insert, into connectors, AMP pin and socket contacts which are crimped to small, fragile wires. The tool can also be used when the wire bundle is too large for hand insertion of contacts.

Read these instructions thoroughly before inserting any contacts.

NOTE

All dimensions presented on this instruction sheet are in inches, unless otherwise stated.

2. DESCRIPTION (Figure 1)

This tweezer-shaped tool features two grooved insertion tips for grasping the wire connected to the contact, and tool handles which assist in applying even pressure to the insertion tips.

The tool numbers are marked on the beveled part of tip. The -1 tool has plastic insulation on the handle while the -2 tool does not.

The tool is designed for .090-in. maximum diameter insulation, but the tool can also be used with other types of wire if caution is used during insertion.

NOTE

To determine whether the insertion tool is needed in an application, refer to the AMP Instruction Sheet packaged with the product or check with your local AMP Representative.

3. INSERTION PROCEDURES (Figure 1)

Insert the contact as follows:

1. Place insertion tool over the wire, with tool insertion tips behind the contact.

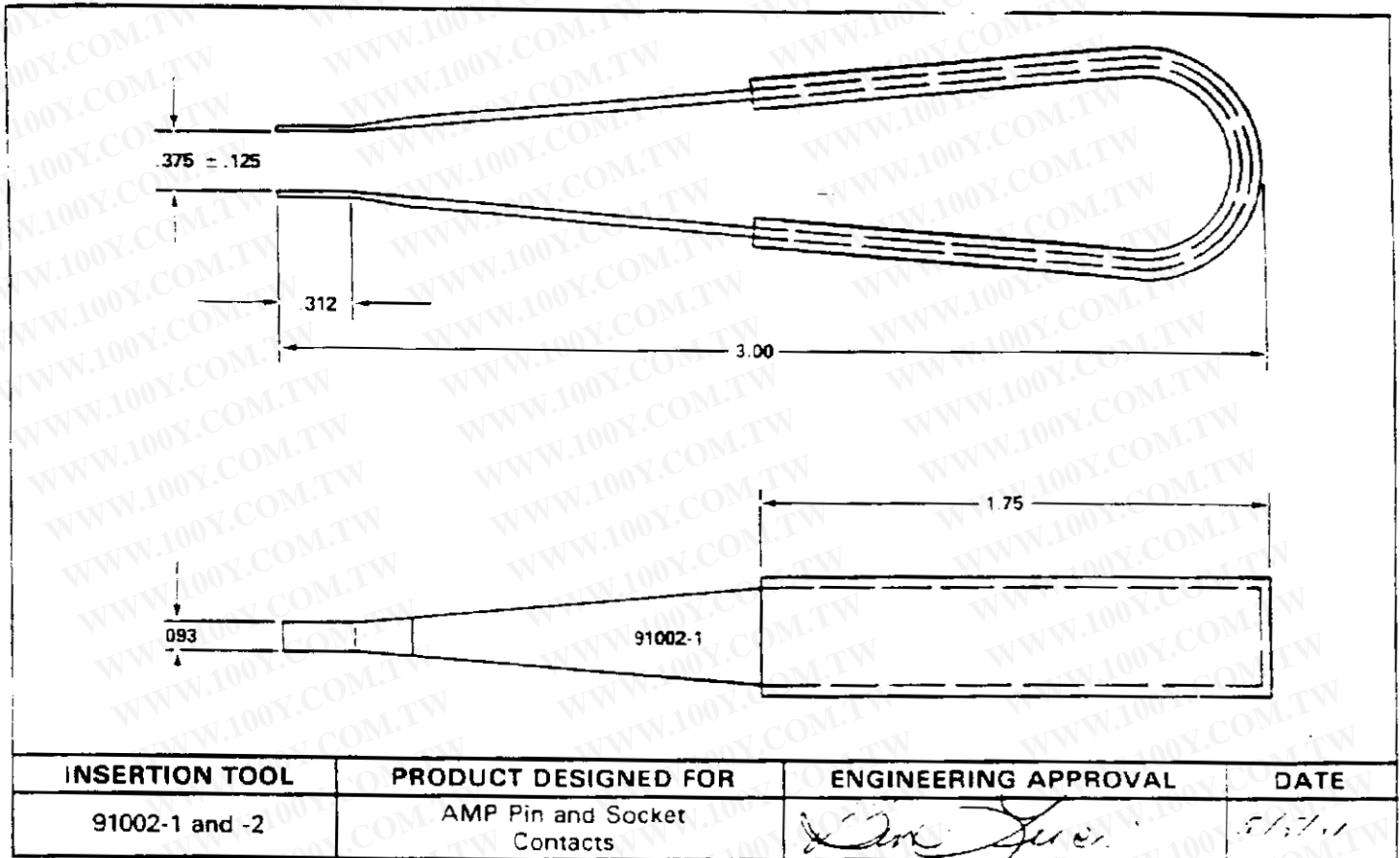


Fig. 2

- Squeeze tips together to hold wire and contact in position.
- Align contact with back of contact cavity in housing, and insert contact into housing until fully seated.

- Pull back lightly on wire to make sure contact is locked in place.

4. TOOL CERTIFICATION

The tool listed in this instruction sheet should be certified with the information provided in Figure 2.

We recommend that you inspect the tool immediately upon arrival in your factory, and at regularly scheduled intervals, to ensure that the tool has not been damaged.

Additional tools can be purchased from:

AMP Incorporated
Eisenhower Boulevard
Harrisburg, Pennsylvania 17105

- Release pressure on tool tips and remove tool.

Some contact cavities will not permit entry of the tool tips. If contact is not fully inserted, grasp wire further back from contact and push contact in again until it is fully seated.

勝特力材料 886-3-5753170
勝特力电子(上海) 86-21-34970699
勝特力电子(深圳) 86-755-83298787
[Http://www.100y.com.tw](http://www.100y.com.tw)