

PRODUCT NUMBER
20020004-XXXXXXLF

20020004-□ □ □ □ □ ○ □ LF

勝特力材料 886-3-5753170
勝特力电子(上海) 86-21-34970699
勝特力电子(深圳) 86-755-83298787
[Http://www.100y.com.tw](http://www.100y.com.tw)

PITCH

C: 3.50 mm
D: 3.81 mm

POLES

02: 2 POLES
03: 3 POLES
04: 4 POLES

24: 24 POLES

LF : DENOTED RoHS COMPATIBLE

1 : STANDARD PRODUCT
W/ BOX PACKING

SCREW CODE

PROPERTY TABLE			
FCI SERIES NAME		01-350	01-381
PITCH (mm)		3.50	3.81
VOLTAGE RATING (VAC)		300	300
CURRENT RATING (A)	cULus	10	10
	VDE	10.5	10.5
APPLICABLE WIRE RANGE (AWG)	1-WIRE	16~26	16~26
	2-WIRE	20	20
WIRE CROSS SECTION (mm ²)	SOLID	1-WIRE	1.5
		2-WIRE	0.5
	STRANDED	1-WIRE	1.5
		2-WIRE	0.75
OPENING CONTACT HOUSING(mm ²)		1.6x2.5	1.7x2.5
WIRE STRIP LENGTH(mm)		6~7	6~7
TORQUE +/- 10% (N-m/Lb-in)		0.23/2.0	0.23/2.0
SCREW		M2x0.4	M2x0.4
WITHSTANDING VOLTAGE (kv)	cULus	1.6	1.6
	VDE	2.5	2.5
OPERATING TEMP. (°C)		-40~+115	-40~+115
POLES AVAILABLE		02~24	02~24
SAFETY CERTIFICATE			

HOUSING CODE

CODE	COLOR	AVAILABILITY
1	GREEN(RAL 6018/T)	STANDARD
2	BLACK	ON REQUEST ONLY
3	GREY(RAL 7004/P)	ON REQUEST ONLY
4	BLUE(RAL 5015/A)	ON REQUEST ONLY

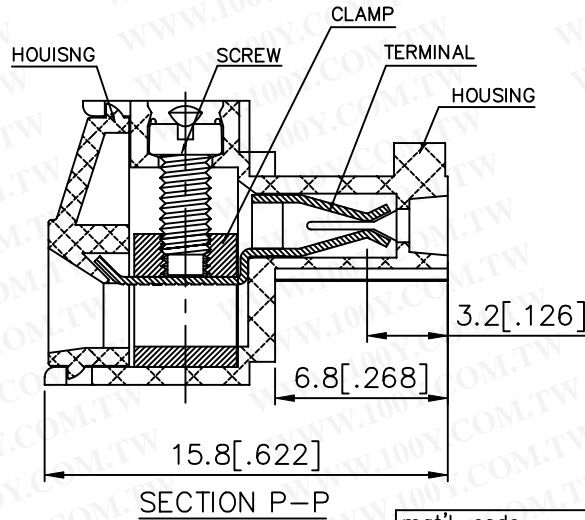
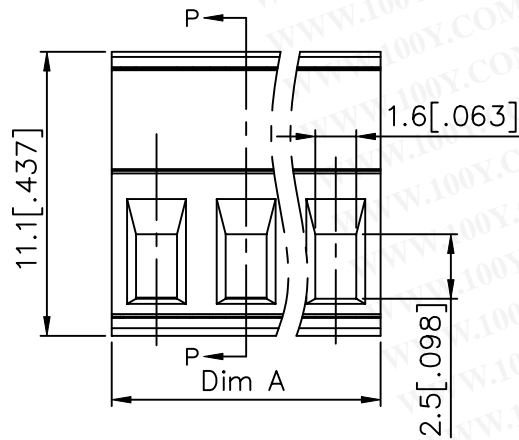
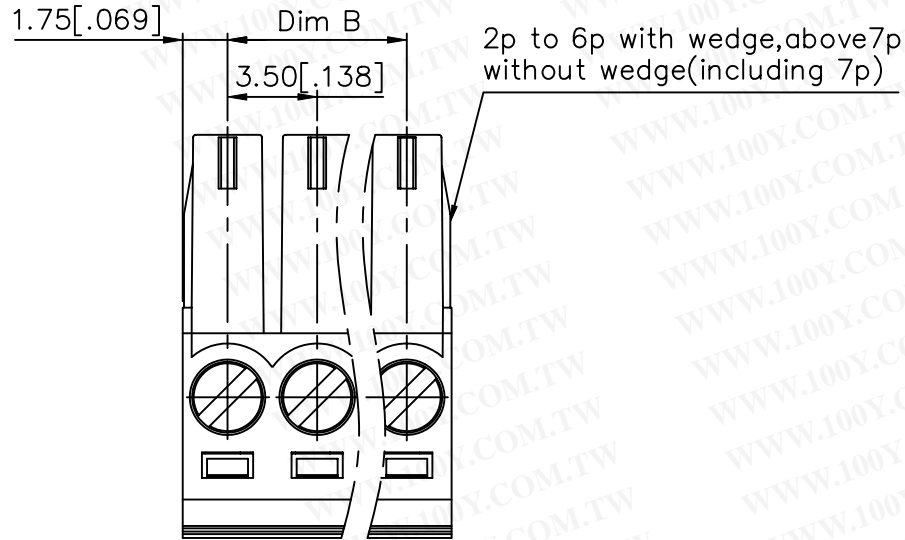
CODE	SCREW TYPE	AVAILABILITY
A	-/+	ON REQUEST ONLY
B	-	STANDARD

NOTES:

- MATERIALS
1-1 HOUSING: THERMALPLASTIC RESIN, UL 94V-0 RATED.
1-2 SCREW: STEEL, ZINC PLATED.
1-3 CLAMP: COPPER ALLOY, NICKEL PLATED.
1-4 TERMINAL: COPPER ALLOY, TIN PLATED.
- PRODUCT SPECIFICATION REFER TO FCI GS-12-625.
- BOXED PACKAGING,
DETAILED PRODUCT PACKING SPECIFICATION REFER TO FCI GS-14-1394.
- FCI, SAFETY CERTIFICATE LOGO AND SERIES NAME TO BE SHOWN ON PRODUCT SURFACE.
- THE PRODUCTS WHERE THE PART NUMBER END IN "LF" MEET THE EUROPEAN UNION DIRECTIVE AND OTHER COUNTRY REGULATIONS AS DESCRIBED IN GS-22-008.

mat'l. code		surface ASME Y14.5	tolerance ASME Y14.5	projection	product family
ltr		tolerances unless otherwise specified			TERMINAL BLOCK
E	T10-0127	WL	080910	MM [INCH]	title TERMINAL BLOCK PLUGGABLE PLUG, SIGNAL, W/O FLANGE CONTACT UP SIDE
F	T10-0147	WL	091310		
G	T10-0159	WL	100410	scale	dwg no
H	T10-0187	WL	121410	dr	
J	T10-0193	WL	122310	enr	20020004
K	T11-0013	WL	040811	chr	A4
L	T-004746	WL	072011	appd	type
sheet	revision	L	L	L	CUSTOMER Drawing
index	sheet	1	2	3	

PRODUCT NUMBER	SERIES NAME	PITCH
20020004-CXXXXXLf	01-350	3.50 mm



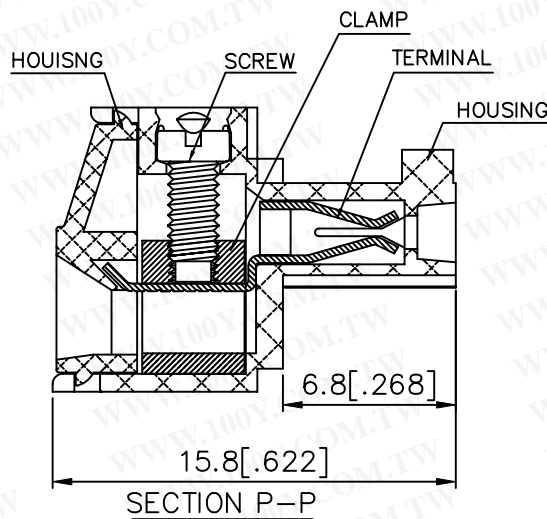
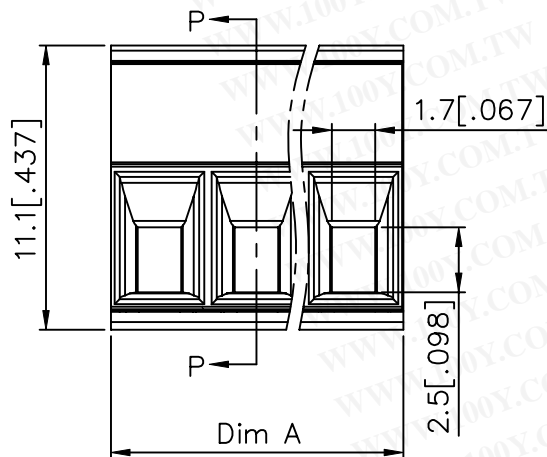
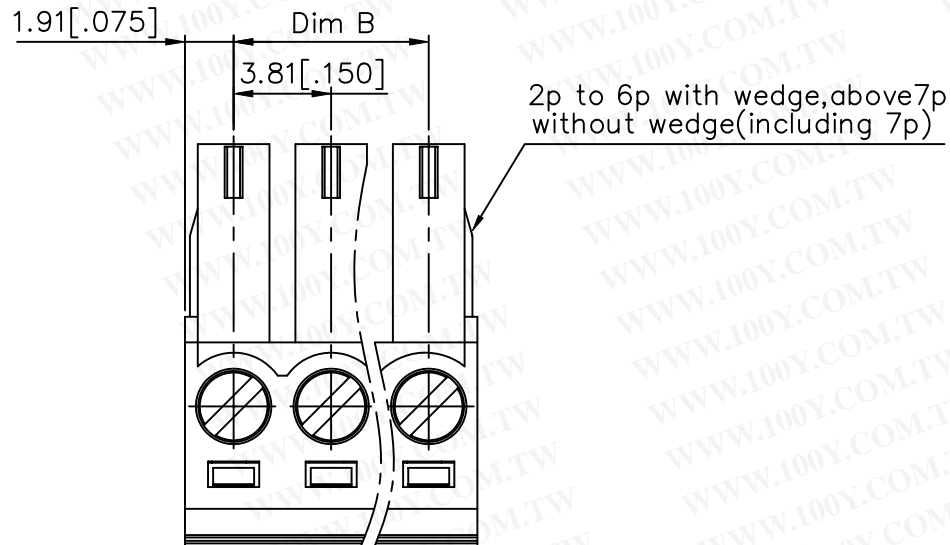
N = Number of Poles
Dim A = $N \times 3.5$ [.138]
Dim B = $(N-1) \times 3.5$ [.138]

POLES	Dim A	Dim B
2-6p	± 0.15 [.006]	
7-12p	± 0.20 [.008]	
13-18p	± 0.25 [.010]	
19-24p	± 0.30 [.012]	

mat'l. code		surface ASME Y14.5	tolerance ASME Y14.5	projection 	product family TERMINAL BLOCK
ltr	ecn no	dr	date	 MM INCH	title TERMINAL BLOCK PLUGABLE, PLUG, SIGNAL, W/O FLANGE sheet 2 of 3 size
L					
		angles	$X \pm 0.5$ [.020] $X.X \pm 0.3$ [.012] $X \pm 1^\circ$	scale	20020004 A4
		dr	BEER FU 062509		type CUSTOMER Drawing
		enr	BEER FU 062509		
		chr	GARY HSIEH 062509		
		app	JOSEPH HSIA 062509		
sheet index	revision sheet				



PRODUCT NUMBER	SERIES NAME	PITCH
20020004-DXXXXXLF	01-381	3.81 mm



N = Number of Poles
Dim A = $N \times 3.81[.150]$
Dim B = $(N-1) \times 3.81[.150]$

POLES	Dim A	Dim B
2-6p	$\pm 0.15[.006]$	
7-12p	$\pm 0.20[.008]$	
13-18p	$\pm 0.25[.010]$	
19-24p	$\pm 0.30[.012]$	

mat'l. code	surface ASME Y14.5 ✓	tolerance ASME Y14.5	projection 	product family TERMINAL BLOCK
ltr	ecn no	dr	date	title
L				TERMINAL BLOCK PLUGABLE, PLUG, SIGNAL, W/O FLANGE
	angles	tolerances unless otherwise specified	MM INCH	scale
	X ± 1°	X.X ± 0.3[.012]		
		X.XX ± 0.1[.004]		
	dr	BEER FU	062509	sheet 3 of 3 size
	enr	BEER FU	062509	20020004
	chr	GARY HSIEH	062509	A4
	app	JOSEPH HSIA	062509	type
sheet index	revision sheet			CUSTOMER Drawing

