

PRODUCT NUMBER BPS8B96FLD-00-----

WITH "LF" SUFFIX	LEAD FREE OR RoHS COMPATIBLE PRODUCT
WITHOUT SUFFIX	LEADED PRODUCT

勝特力材料 886-3-5753170  
 勝特力电子(上海) 86-21-34970699  
 勝特力电子(深圳) 86-755-83298787  
[Http://www.100y.com.tw](http://www.100y.com.tw)

**NOTES:-**  
 1. THE "LF" PRODUCTS MEET EUROPEAN UNION DIRECTIVES AND OTHER COUNTRY REGULATIONS AS DESCRIBED IN GS-22-008  
 2. LEAD FREE OR RoHS DIRECTIVE LABELING TO BE PROVIDED AS PER GS-14-920 FOR RoHS COMPATIBLE VERSION.

**WIRE ACCOMODATION**

PRODUCT NUMBER	WIRE SIZE	CONTACT IDENTIFICATION
BPS8B96FLD000--	AWG28/30	0
BPS8B96FLD200--	AWG24/26	2

**CONTACT PLATING**

PLATING CODE	PERFORMANCE LEVEL PER DIN41612
Z0	CLASS 3
Z1	CLASS 2
E9	CLASS 1
L9	-

**PERFORMANCES CHARACTERISTICS**

VOLTAGE RATING : 250 VAC (rms) OF INITIAL VALUE AFTER TEST.  
 CURRENT RATING : 1,5 A AT 25 °C, 1 A AT 70 °C.  
 INSULATION RESISTANCE : 1000MΩINITIAL, 100MΩMIN. AFTER TEST  
 DIELECTRIC WITH-  
 STANDING VOLTAGE : 1000 VAC (rms).  
 CONTACT RESISTANCE : 15mΩMAX. INITIAL, 5mΩMAX. RISE  
 OPERATING TEMPERATURE\*: -40 °C TO +125 °C.  
 INSERTION FORCE : 1 N MAX./CONTACT.  
 WITHDRAWAL FORCE : 0,2 N MIN./CONTACT.

\*DEPENDING ON THE CABLE, THE MAX. TEMPERATURE CAN BE LOWER.  
 FOR STANDARD PVC INSULATED CABLE : 105 °C MAX.

**CONSTRUCTION**

BODY MATERIAL : GLASS-REINFORCED THERMOPLASTIC (UL94V-0).  
 CONTACT MATERIAL : PHOSPHOR BRONZE.  
 CONTACT FINISH : Au OVER Ni IN CONTACT AREA  
 SnPb ON I.D.C. TERMINAL FOR LEADED PRODUCTS.  
 Sn (MATTE TIN) ON I.D.C. TERMINAL FOR LEAD FREE PRODUCTS.

Z0 : PERFORMANCE LEVEL PER DIN41612 CLASS 3  
 Z1 : PERFORMANCE LEVEL PER DIN41612 CLASS 2  
 E9 : PERFORMANCE LEVEL PER DIN41612 CLASS 1  
 L9 : 1.25 μm Au OVER NI

**PART NUMBERS**

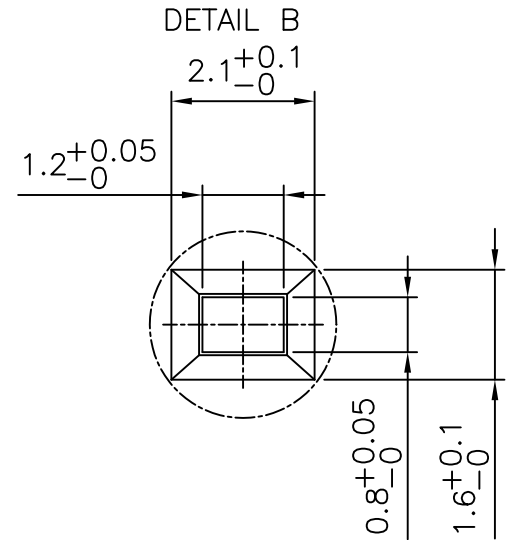
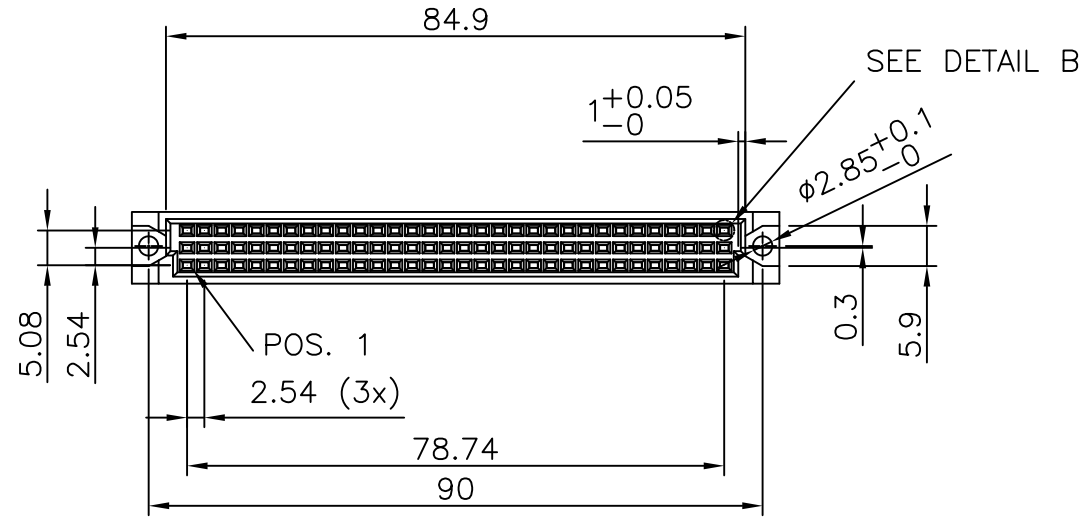
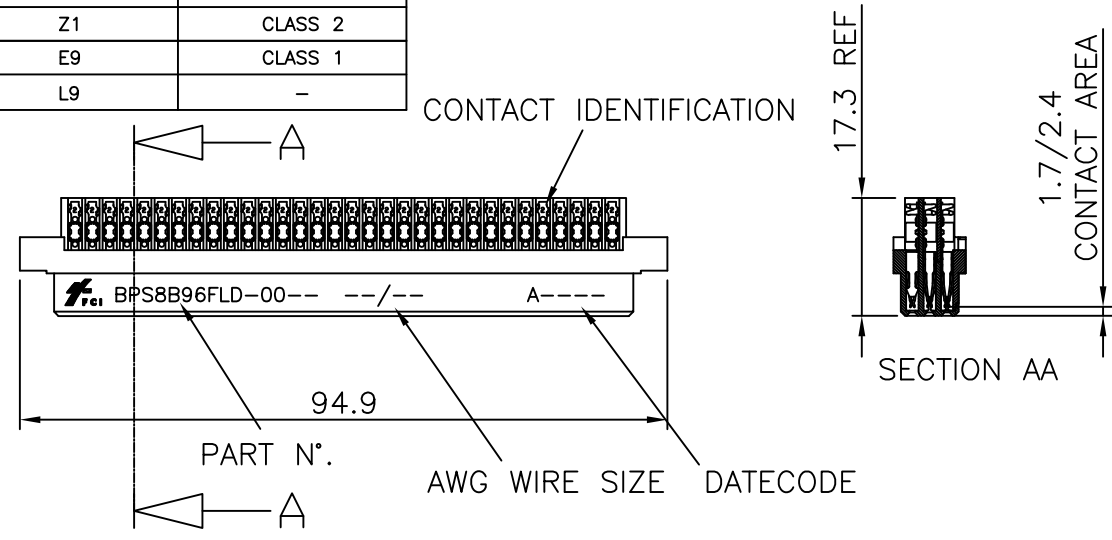
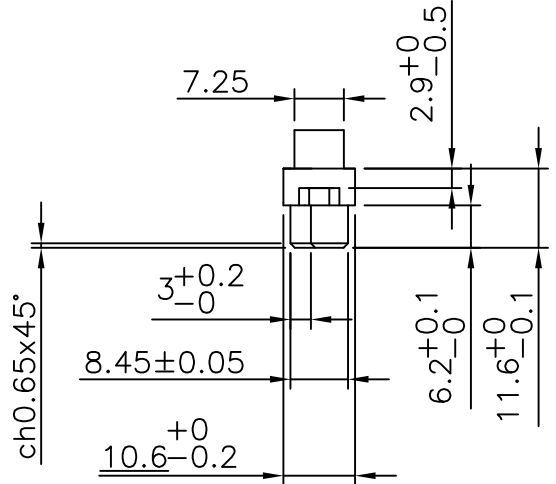
BPS8B96FLD000----- CONNECTOR FOR WIRE SIZE AWG28, AWG30.  
 (CONTACT IDENTIFICATION : 0).  
 BPS8B96FLD200----- CONNECTOR FOR WIRE SIZE AWG24, AWG26  
 (CONTACT IDENTIFICATION : 2).

**AWG WIRE SIZE MARKING**

BPS8B96FLD000-- : 28/30.  
 BPS8B96FLD000--LF : 28/30.  
 BPS8B96FLD200-- : 24/26.  
 BPS8B96FLD200--LF : 24/26.

**DATECODE MARKING**

A + YEAR & WEEKCODE, EXAMPLE : A9950.



mat'l. code SEE NOTE				surface ISO 1302 ✓		tolerance ISO 406 ISO 1101		projection		product family BPS8			
ltr				ecn no		dr		date		tolerances unless otherwise specified		title	
A				F00819		DLE		2000-10-19		0.1±0.2		ASSY BPS8	
B				F00835		GCO		2000-11-09		0.01±0.1		96 POS. A,B,C LOADED	
C				I05-0123		MINI		2005-07-27		linear		mm	
D				I06-0067		MINI		2006-06-01		±1'		scale -	
E				ELX-I-24377		MJA		2016-06-24		dr		D.LEGRAND 2000-10-19	
F				ELX-I-25060		MJA		2016-09-28		enr		J.F.NOTTEAU 2000-10-19	
										chr		M JACOB 2016-09-28	
										appd		BUJ K PAUL 2016-09-28	
sheet index		revision sheet		F D		D F A		D F A		D F A		dwg no 55365	
				1 2		3 4 5						sheet 1 of 5 A3	
												type Product Customer Drawing	

FCJ  
 FCJconnect.com  
 Copyright FCJ

**NOTES:-**  
 1. THE "LF" PRODUCTS MEET EUROPEAN UNION DIRECTIVES AND OTHER COUNTRY REGULATIONS AS DESCRIBED IN GS-22-008  
 2. LEAD FREE OR RoHS DIRECTIVE LABELING TO BE PROVIDED AS PER GS-14-920 FOR RoHS COMPATIBLE VERSION.

**PERFORMANCES CHARACTERISTICS**

VOLTAGE RATING : 250 VAC (rms)  
 CURRENT RATING : 1,5 A AT 25 °C, 1 A AT 70 °C.  
 INSULATION RESISTANCE : 1000MΩINITIAL, 100MΩMIN. AFTER TEST  
 DIELECTRIC WITH-  
 STANDING VOLTAGE : 1000 VAC (rms).  
 CONTACT RESISTANCE : 15mΩMAX. INITIAL, 5mΩMAX. RISE OF INITIAL VALUE AFTER TEST.  
 OPERATING TEMPERATURE\*: -40 °C TO +125 °C.  
 INSERTION FORCE : 1 N MAX./CONTACT.  
 WITHDRAWAL FORCE : 0,2 N MIN./CONTACT.  
 \*DEPENDING ON THE CABLE, THE MAX. TEMPERATURE CAN BE LOWER.  
 FOR STANDARD PVC INSULATED CABLE : 105 °C MAX.

**CONSTRUCTION**

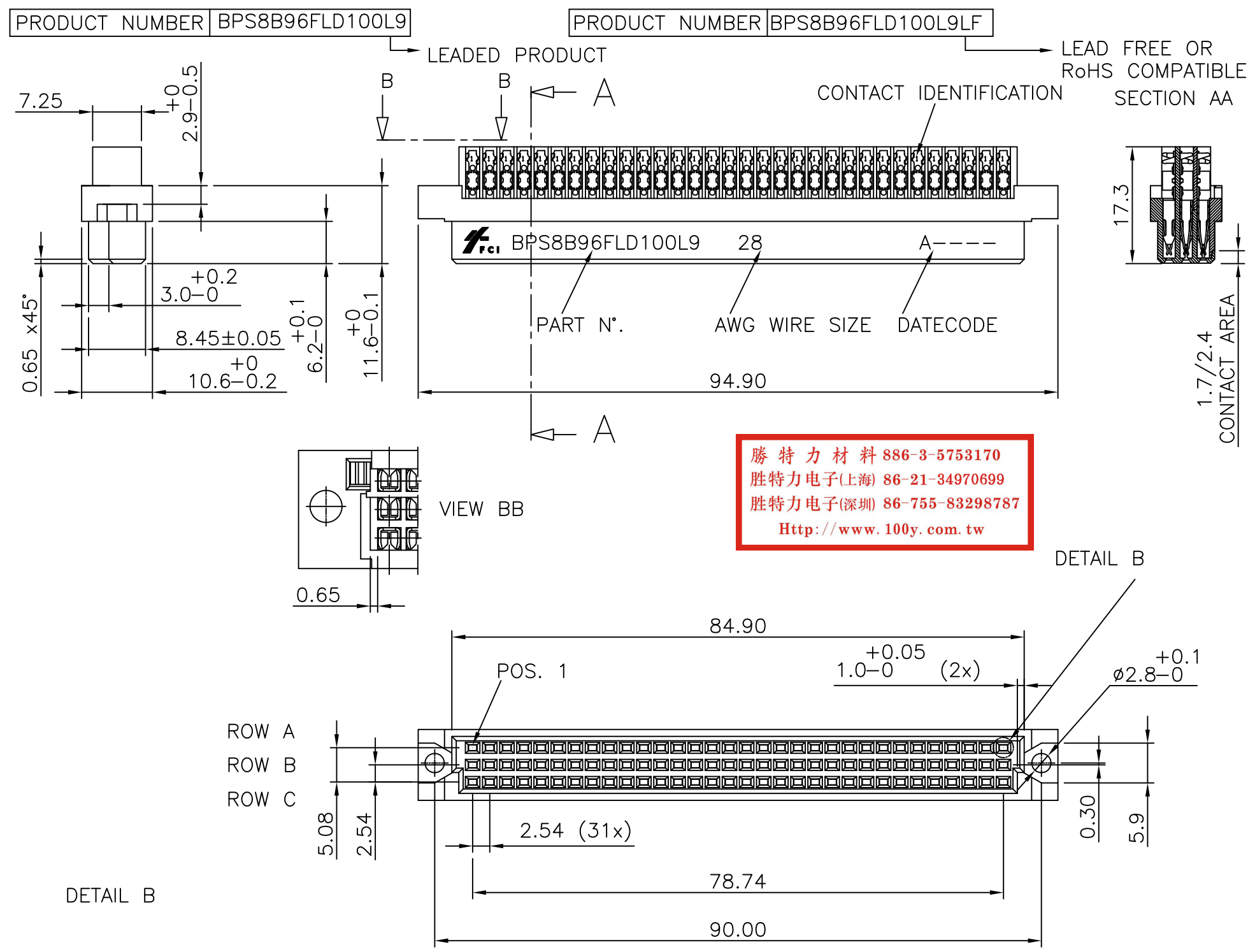
BODY MATERIAL : GLASS-REINFORCED THERMOPLASTIC (UL94V-0).  
 CONTACT MATERIAL : PHOSPHOR BRONZE.  
 CONTACT FINISH : 1.25 μm Au MIN. OVER 2 μm Ni MIN. IN CONTACT AREA  
 SnPb ON I.D.C. TERMINAL FOR LEADED PRODUCTS.  
 Sn (MATTE TIN) ON I.D.C. TERMINAL FOR LEAD FREE PRODUCTS.

CABLE : 3M FLEXIBLE TWISTED PAIR CABLE (WIRES & CABLE) TYPE 3782 PER UL STYLE/20488 OR TYPE 3783 PER UL STYLE/2935.

**PART NUMBERS**  
 BPS8B96FLD100L9-- CONNECTOR FOR WIRE SIZE AWG28 (CONTACT IDENTIFICATION : 1).

**AWG WIRE SIZE MARKING**  
 BPS8B96FLD100L9 : 28.  
 BPS8B96FLD100L9LF : 28.

**DATECODE MARKING**  
 A + YEAR & WEEKCODE, EXAMPLE : A9950.



勝特力材料 886-3-5753170  
 勝特力电子(上海) 86-21-34970699  
 勝特力电子(深圳) 86-755-83298787  
[Http://www.100y.com.tw](http://www.100y.com.tw)



Copyright FCI

mat'l. code				surface		tolerance		projection		product family	
SEE NOTE				ISO 1302		ISO 406 ISO 1101		mm		BPS8	
ltr				ecn no		dr		date		title	
D				angles		linear		mm		ASSY BPS8	
				±0°30'				scale -		96 POS. A,B,C LOADED	
				dr		D.LEGRAND		2000-10-20		dwg no	
				engr		J.F.NOTTEAU		2000-10-20		sheet 2 of 5	
				chr		RAKHEE GEORGE		2006-06-01		55365	
				appd		RAKHEE GEORGE		2006-06-01		A3	
sheet index				revision sheet						type Product Customer Drawing	

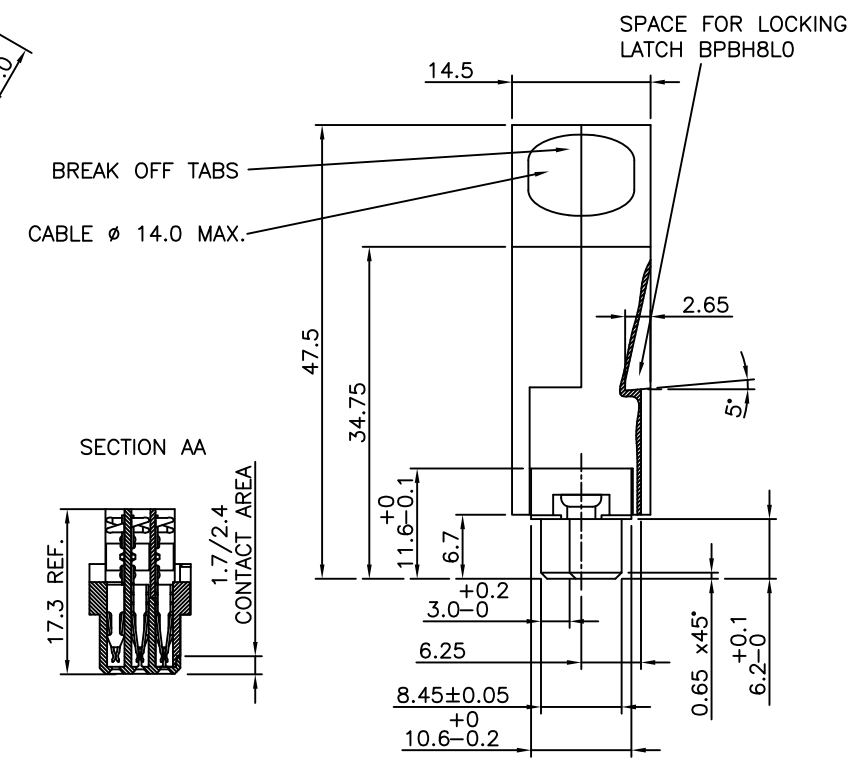
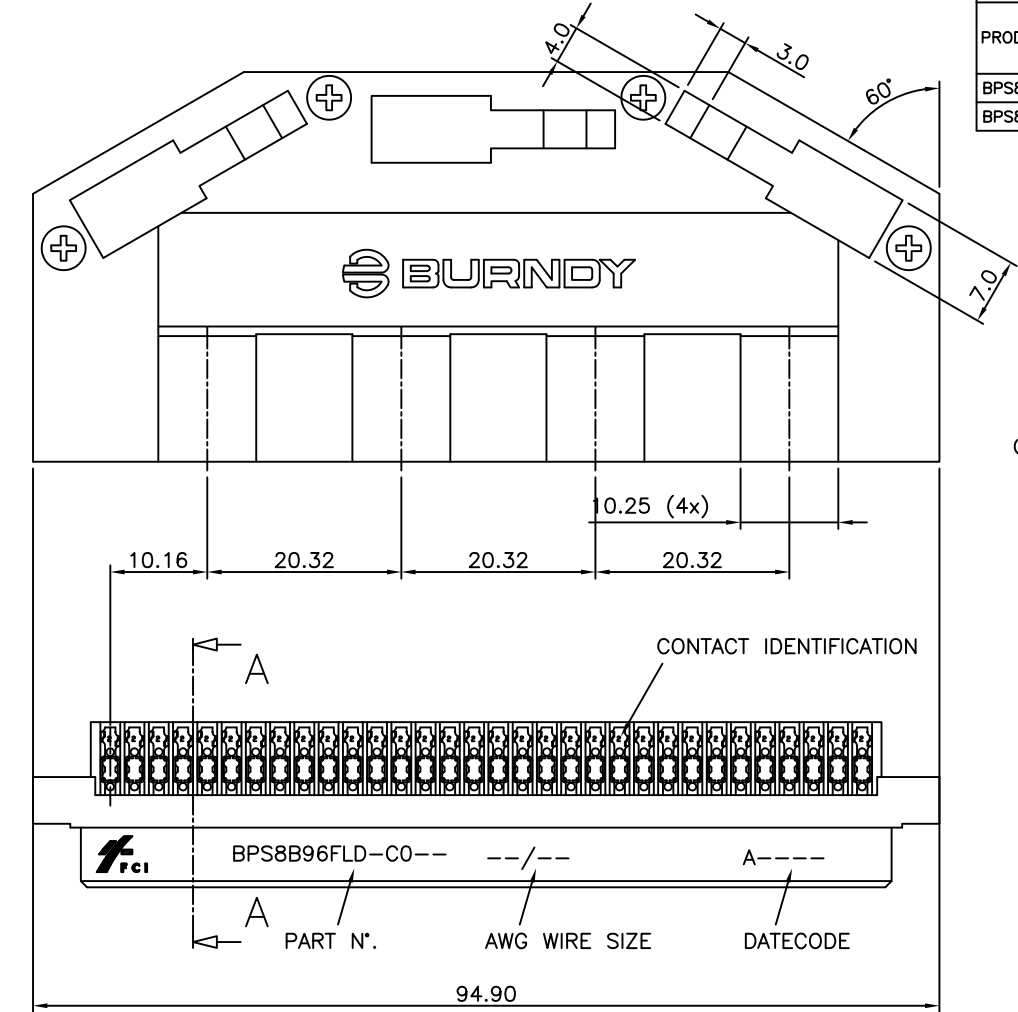
勝特力材料 886-3-5753170  
 勝特力电子(上海) 86-21-34970699  
 勝特力电子(深圳) 86-755-83298787  
 Http://www.100y.com.tw

PRODUCT NUMBER	BPS8B96FLD-C0----	WITH "LF" SUFFIX	LEAD FREE OR RoHS COMPATIBLE PRODUCT
		WITHOUT SUFFIX	LEADED PRODUCT

**NOTES:-**  
 1. THE "LF" PRODUCTS MEET EUROPEAN UNION DIRECTIVES AND OTHER COUNTRY REGULATIONS AS DESCRIBED IN GS-22-008  
 2. LEAD FREE OR RoHS DIRECTIVE LABELING TO BE PROVIDED AS PER GS-14-920 FOR RoHS COMPATIBLE VERSION.

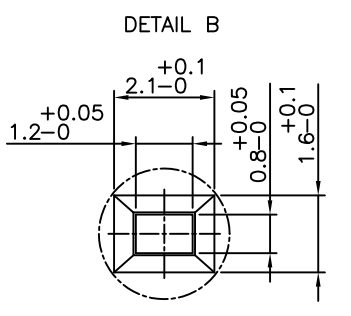
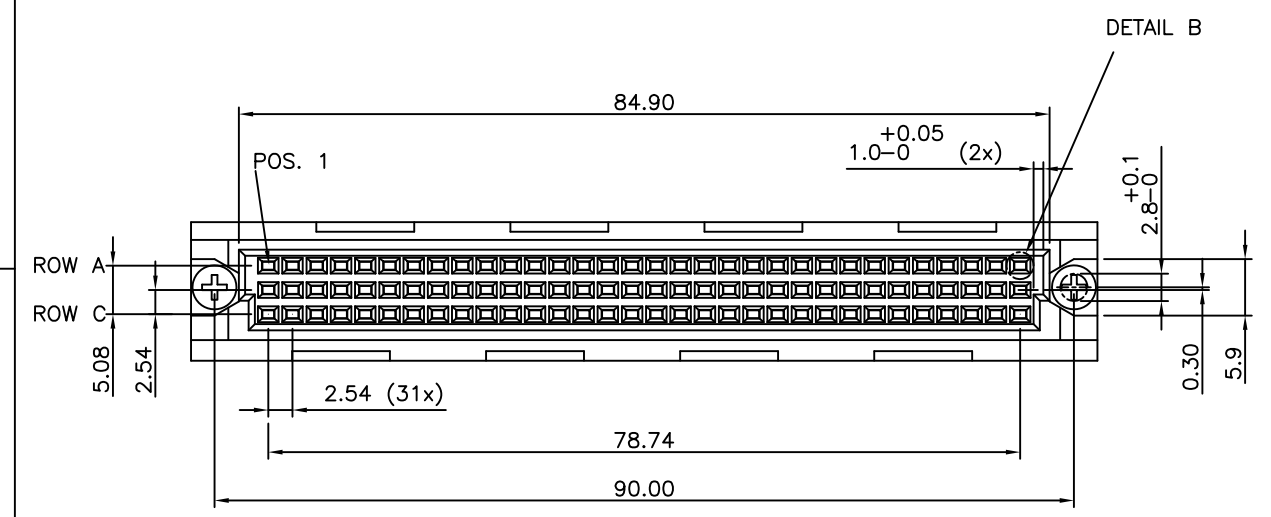
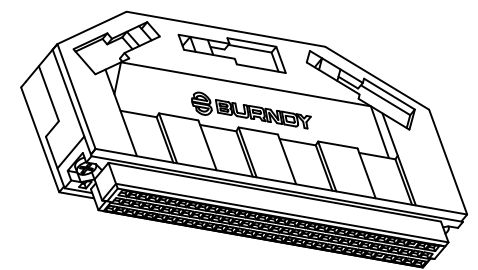
WIRE ACCOMODATION			CONTACT PLATING	
PRODUCT NUMBER	WIRE SIZE	CONTACT IDENTIFICATION	PLATING CODE	PERFORMANCE LEVEL PER DIN41612
BPS8B96FLD0C0--	AWG28/30	0	Z0	CLASS 3
BPS8B96FLD2C0--	AWG24/26	2	Z1	CLASS 2
			E9	CLASS 1

**PERFORMANCES CHARACTERISTICS**  
 VOLTAGE RATING : 250 VAC (rms)  
 CURRENT RATING : 1,5 A AT 25 °C, 1 A AT 70 °C.  
 INSULATION RESISTANCE : 1000MΩINITIAL, 100MΩMIN. AFTER TEST  
 DIELECTRIC WITHSTANDING VOLTAGE : 1000 VAC (rms).  
 CONTACT RESISTANCE : 15mΩMAX. INITIAL, 5mΩMAX. RISE OF INITIAL VALUE AFTER TEST.  
 OPERATING TEMPERATURE\*: -40 °C TO +125 °C.  
 INSERTION FORCE : 1 N MAX./CONTACT.  
 WITHDRAWAL FORCE : 0,2 N MIN./CONTACT.



**CONSTRUCTION**  
 BODY MATERIAL : GLASS-REINFORCED THERMOPLASTIC (UL94V-0).  
 COVER MATERIAL : POLYPHENYLENE (PPO), COLOUR : BLACK.  
 CONTACT MATERIAL : PHOSPHOR BRONZE.  
 CONTACT FINISH : Au OVER Ni IN CONTACT AREA  
 SnPb ON I.D.C. TERMINAL FOR LEADED PRODUCTS.  
 Sn (MATTE TIN) ON I.D.C. TERMINAL FOR LEAD FREE PRODUCTS.  
 Z0 : PERFORMANCE LEVEL PER DIN41612 CLASS 3  
 Z1 : PERFORMANCE LEVEL PER DIN41612 CLASS 2  
 E9 : PERFORMANCE LEVEL PER DIN41612 CLASS 1  
 OTHERS : CONSULT FCI  
 TIE-WRAP : OPTIONAL (PART N°. TF4)

**PART NUMBERS**  
 BPS8B96FLD0C0----CONNECTOR FOR WIRE SIZE AWG28, AWG30. (CONTACT IDENTIFICATION : 0).  
 BPS8B96FLD2C0----CONNECTOR FOR WIRE SIZE AWG24, AWG26. (CONTACT IDENTIFICATION : 2).  
**AWG WIRE SIZE MARKING**  
 BPS8B96FLD0C0-- : 28/30.  
 BPS8B96FLD0C0--LF : 28/30.  
 BPS8B96FLD2C0-- : 24/26.  
 BPS8B96FLD2C0--LF : 24/26.  
**DATECODE MARKING**  
 A + YEAR & WEEKCODE, EXAMPLE : A9950.



mat'l. code		surface		tolerance		projection		product family	
SEE NOTES		ISO 1302 ✓		ISO 406 ISO 1101		mm		BPS8	
ltr		ecn no		dr		date		title	
								ASSY BPS8	
d		angles		linear		scale		96 POS. A,B,C LOADED	
		±1°				-		dwg no	
								sheet 3 of 5	
		dr		D.LEGRAND		2000-10-23		size	
		enr		J.F.NOTTEAU		2000-10-23		A3	
		chr		RAKHEE GEORGE		2006-06-01		55365	
		appd		RAKHEE GEORGE		2006-06-01		type	
sheet index		revision sheet						Product Customer Drawing	

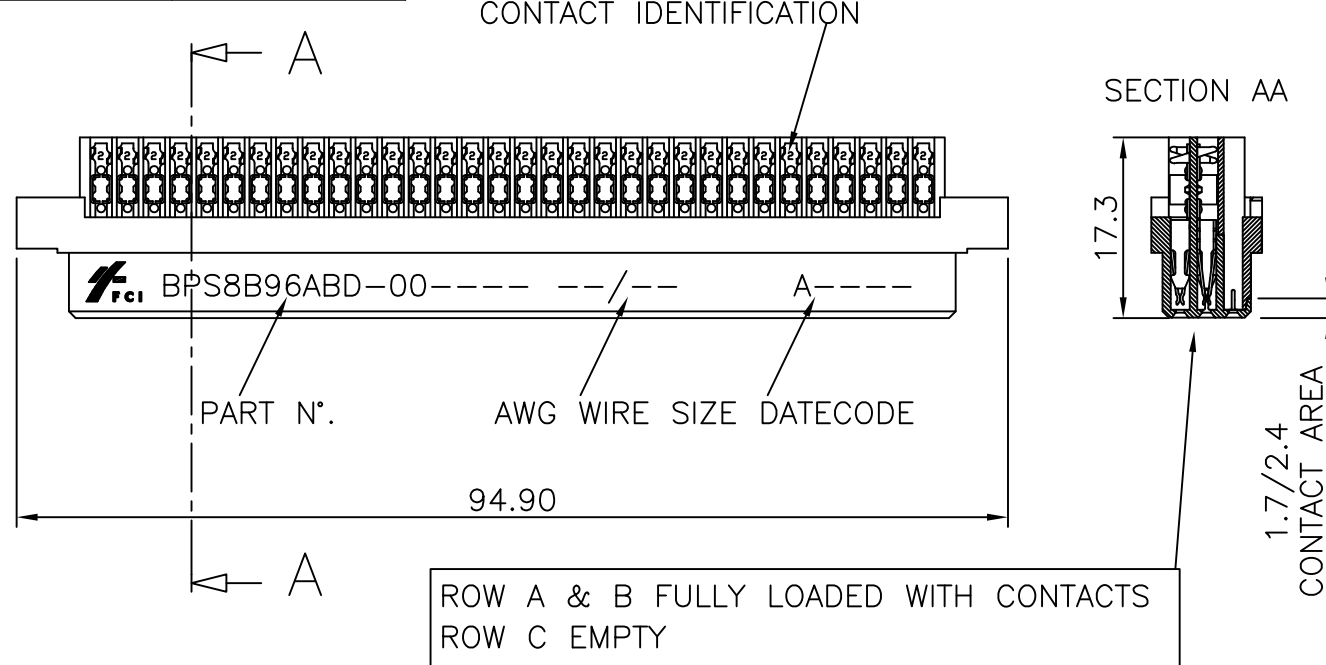
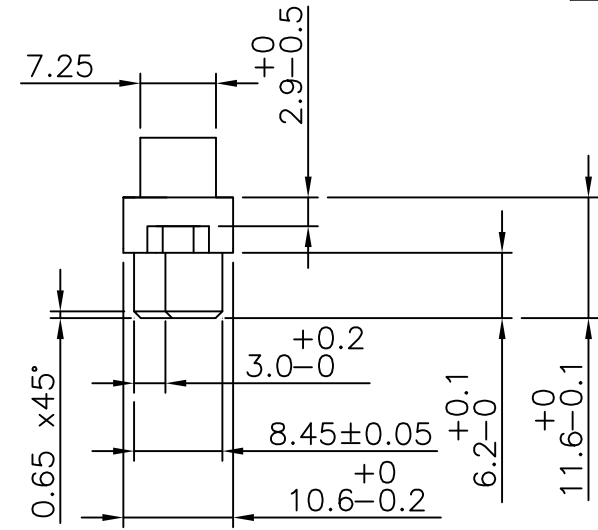
PRODUCT NUMBER BPS8B96ABD-00-----

WITH "LF" SUFFIX	LEAD FREE OR RoHS COMPATIBLE PRODUCT
WITHOUT SUFFIX	LEADED PRODUCT

NOTES:-  
 1. THE "LF" PRODUCTS MEET EUROPEAN UNION DIRECTIVES AND OTHER COUNTRY REGULATIONS AS DESCRIBED IN GS-22-008  
 2. LEAD FREE OR RoHS DIRECTIVE LABELING TO BE PROVIDED AS PER GS-14-920 FOR RoHS COMPATIBLE VERSION.

WIRE ACCOMODATION		
PRODUCT NUMBER	WIRE SIZE	CONTACT IDENTIFICATION
BPS8B96ABD000--	AWG28/30	0
BPS8B96ABD200--	AWG24/26	2

CONTACT PLATING	
PLATING CODE	PERFORMANCE LEVEL PER DIN41612
Z0	CLASS 3
Z1	CLASS 2
E9	CLASS 1



PERFORMANCES CHARACTERISTICS

VOLTAGE RATING : 250 VAC (rms)  
 CURRENT RATING : 1,5 A AT 25 °C, 1 A AT 70 °C.  
 INSULATION RESISTANCE : 1000MΩINITIAL, 100MΩMIN. AFTER TEST  
 DIELECTRIC WITH-  
 STANDING VOLTAGE : 1000 VAC (rms).  
 CONTACT RESISTANCE : 15mΩMAX. INITIAL, 5mΩMAX. RISE OF INITIAL VALUE AFTER TEST.  
 OPERATING TEMPERATURE\*: -40 °C TO +125 °C.  
 INSERTION FORCE : 1 N MAX./CONTACT.  
 WITHDRAWAL FORCE : 0,2 N MIN./CONTACT.  
 \*DEPENDING ON THE CABLE, THE MAX. TEMPERATURE CAN BE LOWER. FOR STANDARD PVC INSULATED CABLE : 105 °C MAX.

CONSTRUCTION

BODY MATERIAL : GLASS-REINFORCED THERMOPLASTIC (UL94V-0).  
 CONTACT MATERIAL : PHOSPHOR BRONZE.  
 CONTACT FINISH : Au OVER Ni IN CONTACT AREA  
 SnPb ON I.D.C. TERMINAL FOR LEADED PRODUCTS.  
 Sn (MATTE TIN) ON I.D.C. TERMINAL FOR LEAD FREE PRODUCTS.

ROW A & B FULLY LOADED WITH CONTACTS  
 ROW C EMPTY

Z0 : PERFORMANCE LEVEL PER DIN41612 CLASS 3  
 Z1 : PERFORMANCE LEVEL PER DIN41612 CLASS 2  
 E9 : PERFORMANCE LEVEL PER DIN41612 CLASS 1

PART NUMBERS

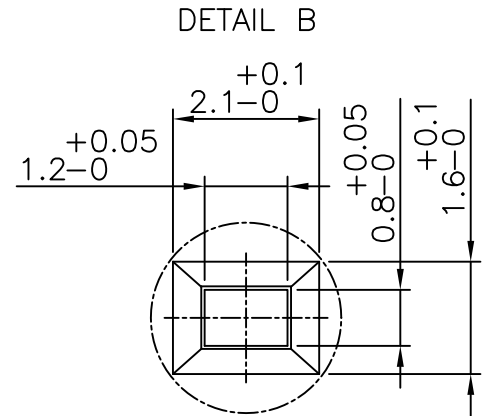
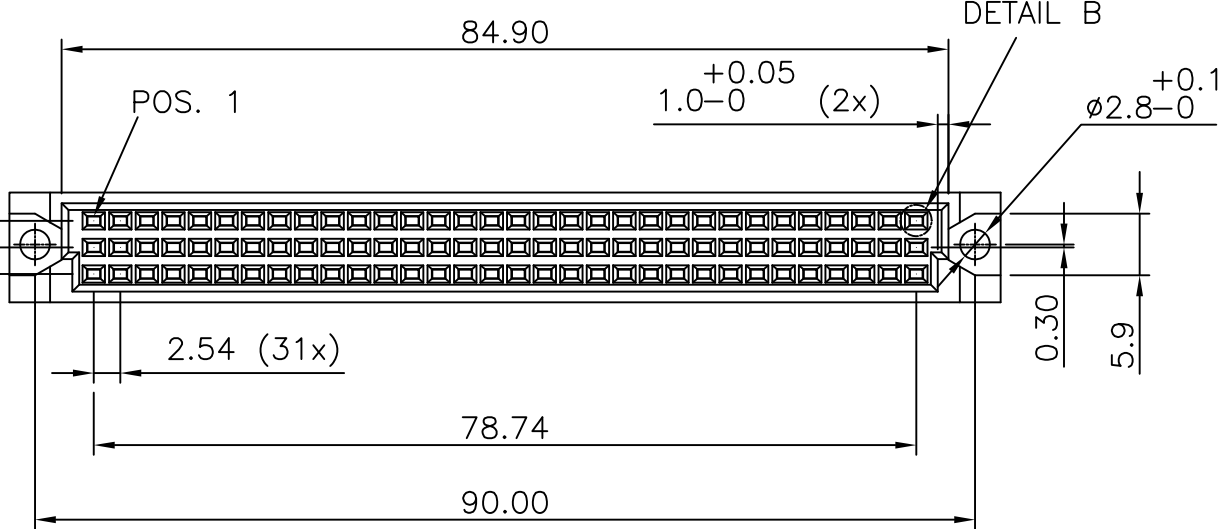
BPS8B96ABD000----- CONNECTOR FOR WIRE SIZE AWG28, AWG30 (CONTACT IDENTIFICATION : 0).  
 BPS8B96ABD200----- CONNECTOR FOR WIRE SIZE AWG24, AWG26 (CONTACT IDENTIFICATION : 2).

AWG WIRE SIZE MARKING

BPS8B96ABD000-- : 28/30.  
 BPS8B96ABD000--LF : 28/30.  
 BPS8B96ABD200-- : 24/26.  
 BPS8B96ABD200--LF : 24/26.

DATECODE MARKING

A + YEAR & WEEKCODE, EXAMPLE : A9950.



勝特力材料 886-3-5753170  
 勝特力电子(上海) 86-21-34970699  
 勝特力电子(深圳) 86-755-83298787  
[Http://www.100y.com.tw](http://www.100y.com.tw)

mat'l. code		surface		tolerance		projection		product family	
SEE NOTE		ISO 1302 ✓		ISO 406 ISO 1101		mm		BPS8	
ltr		ecn no		dr		date		title	
F								ASSY BPS8	
								96 POS. A,B LOADED	
								dwg no	
								sheet 4 of 5	
								size	
								A3	
								type	
								Product Customer Drawing	
sheet index		revision sheet							

FCIconnect.com  
 Copyright FCI

勝特力材料 886-3-5753170  
 勝特力电子(上海) 86-21-34970699  
 勝特力电子(深圳) 86-755-83298787  
 Http://www.100y.com.tw

PRODUCT NUMBER	BPS8B96ABD-C0----	WITH "LF" SUFFIX	LEAD FREE OR RoHS COMPATIBLE PRODUCT
		WITHOUT SUFFIX	LEADED PRODUCT

NOTES:-  
 1. THE "LF" PRODUCTS MEET EUROPEAN UNION DIRECTIVES AND OTHER COUNTRY REGULATIONS AS DESCRIBED IN GS-22-008  
 2. LEAD FREE OR RoHS DIRECTIVE LABELING TO BE PROVIDED AS PER GS-14-920 FOR RoHS COMPATIBLE VERSION.

WIRE ACCOMODATION		
PRODUCT NUMBER	WIRE SIZE	CONTACT IDENTIFICATION
BPS8B96ABD0C0--	AWG28/30	0
BPS8B96ABD2C0--	AWG24/26	2

CONTACT PLATING	
PLATING CODE	PERFORMANCE LEVEL PER DIN41612
Z0	CLASS 3
Z1	CLASS 2
E9	CLASS 1

PERFORMANCES CHARACTERISTICS

VOLTAGE RATING : 250 VAC (rms)  
 CURRENT RATING : 1,5 A AT 25 °C, 1 A AT 70 °C.  
 INSULATION RESISTANCE : 1000MΩINITIAL, 100MΩMIN. AFTER TEST  
 DIELECTRIC WITHSTANDING VOLTAGE : 1000 VAC (rms).  
 CONTACT RESISTANCE : 15mΩMAX. INITIAL, 5mΩMAX. RISE OF INITIAL VALUE AFTER TEST.  
 OPERATING TEMPERATURE\*: -40 °C TO +125 °C.  
 INSERTION FORCE : 1 N MAX./CONTACT.  
 WITHDRAWAL FORCE : 0,2 N MIN./CONTACT.

\*DEPENDING ON THE CABLE, THE MAX. TEMPERATURE CAN BE LOWER.  
 FOR STANDARD PVC INSULATED CABLE : 105 °C MAX.

CONSTRUCTION

BODY MATERIAL : GLASS-REINFORCED THERMOPLASTIC (UL94V-0).  
 COVER MATERIAL : POLYPHENYLENE (PPO), COLOUR : BLACK.  
 CONTACT MATERIAL : PHOSPHOR BRONZE.  
 CONTACT FINISH : Au OVER Ni IN CONTACT AREA  
 SnPb ON I.D.C. TERMINAL FOR LEADED PRODUCTS.  
 Sn (MATTE TIN) ON I.D.C. TERMINAL FOR LEAD FREE PRODUCTS.  
 Z0 : PERFORMANCE LEVEL PER DIN41612 CLASS 3  
 Z1 : PERFORMANCE LEVEL PER DIN41612 CLASS 2  
 E9 : PERFORMANCE LEVEL PER DIN41612 CLASS 1  
 OTHERS : CONSULT FCI  
 TIE-WRAP : OPTIONAL (PART N°. TF4)

PART NUMBERS

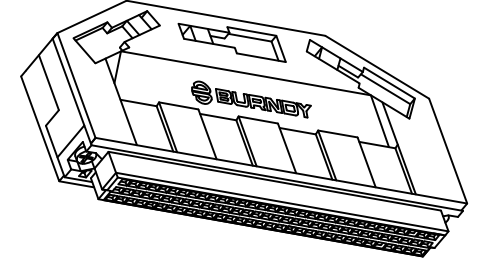
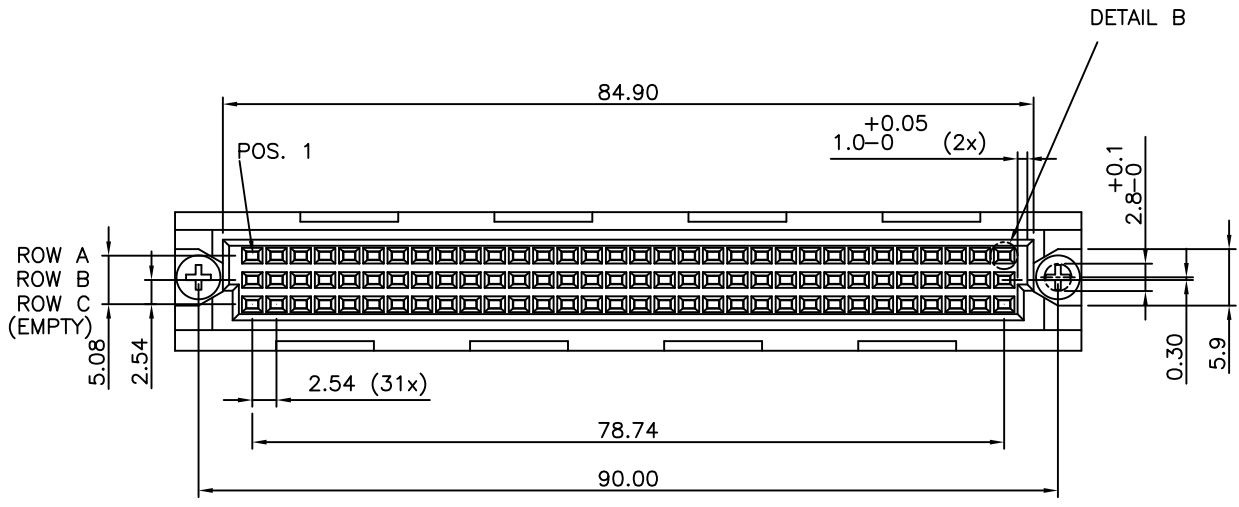
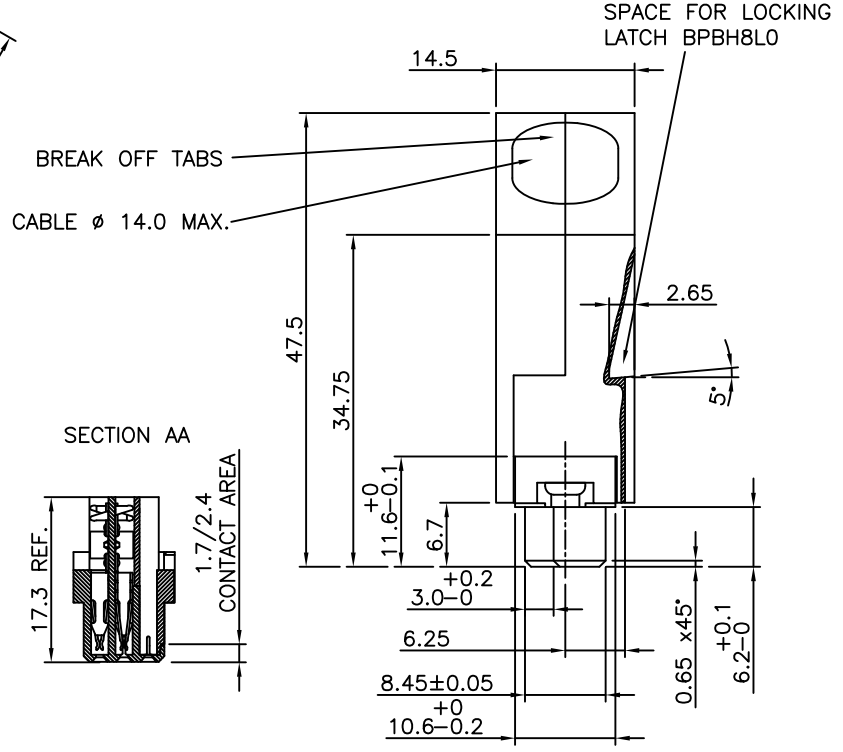
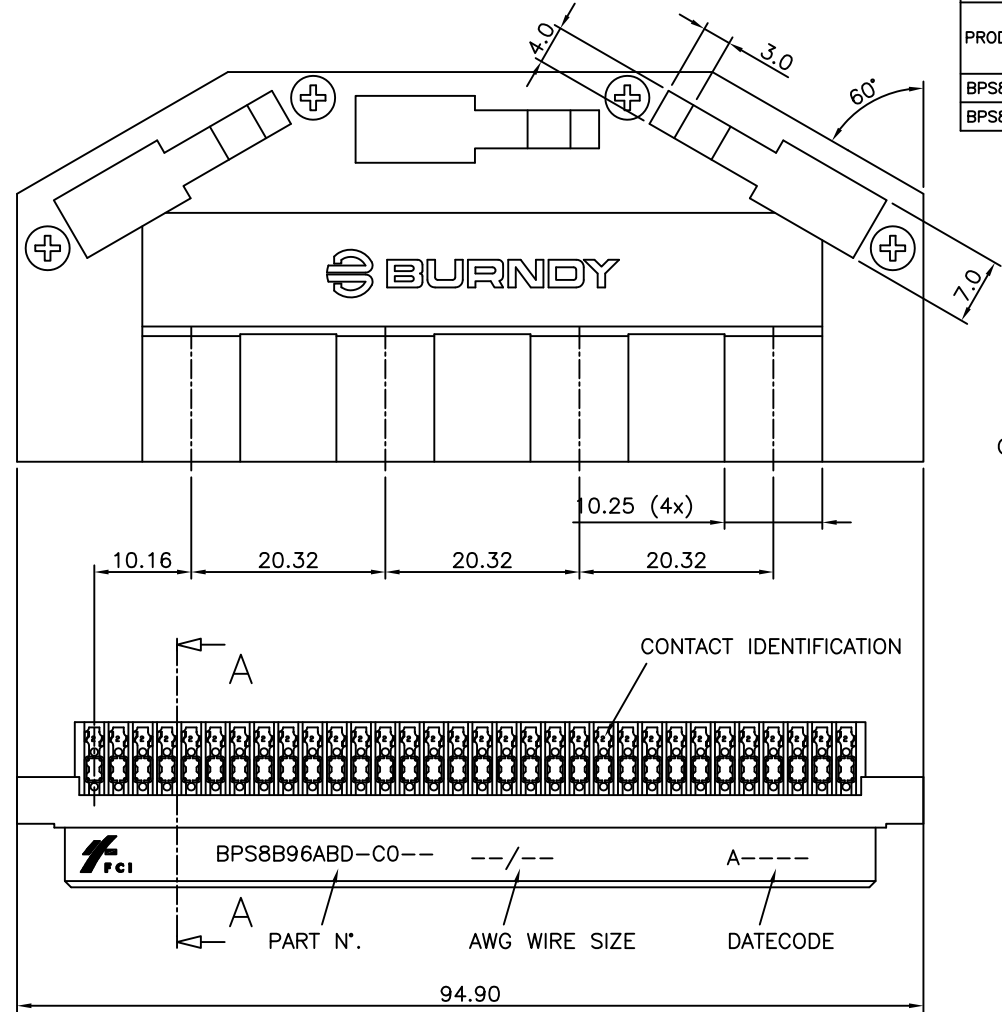
BPS8B96ABD0C0----CONNECTOR FOR WIRE SIZE AWG28, AWG30.  
 (CONTACT IDENTIFICATION : 0).  
 BPS8B96ABD2C0----CONNECTOR FOR WIRE SIZE AWG24, AWG26  
 (CONTACT IDENTIFICATION : 2).

AWG WIRE SIZE MARKING

BPS8B96ABD0C0-- : 28/30.  
 BPS8B96ABD0C0--LF : 28/30.  
 BPS8B96ABD2C0-- : 24/26.  
 BPS8B96ABD2C0--LF : 24/26.

DATECODE MARKING

A + YEAR & WEEKCODE, EXAMPLE : A9950.



mat'l. code		surface		tolerance		projection		product family	
SEE NOTES		ISO 1302 ✓		ISO 406 ISO 1101		mm		BPS8	
ltr		ecn no		dr		date		title	
A								ASSY BPS8	
								96 POS. A,B LOADED	
								dwg no	
								sheet 5 of 5	
								size	
								A3	
								type	
								Product Customer Drawing	
sheet index		revision sheet							