

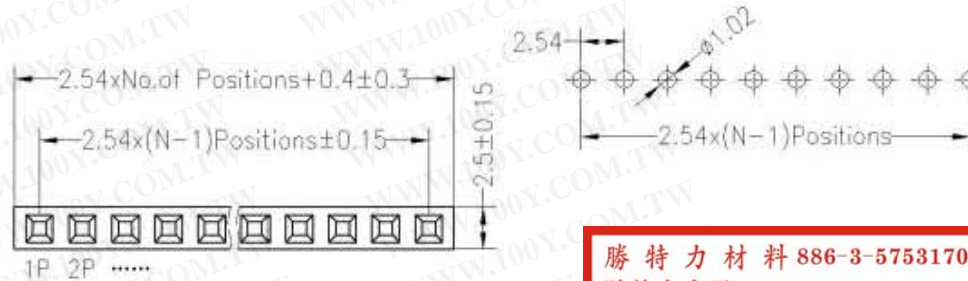


SPECIFICATIONS

Rated Current:3.0AMP
 Contact Resistance:20mΩ Max
 Withstand Voltage:1000V AC/DC
 Insulation Resistance:1000MΩ Min
 Operation Temperature:-40°c to +105°c

Contact Material:Brass
 Contact Plating:Au or Sn Over Ni
 Insulator Material:Polyester(UL94V-0)
 Standard: PBT
 Max.Processing Temp: 180°C for 30-60 seconds
 (200°C for 10 seconds)

Recommended P.C.B Layout(Top Side)
 (PCB BOARD TOLERANCE±0.05)



勝特力材料 886-3-5753170
 勝特力电子(上海) 86-21-34970699
 勝特力电子(深圳) 86-755-83298787
[Http://www.100y.com.tw](http://www.100y.com.tw)

Ordering Information

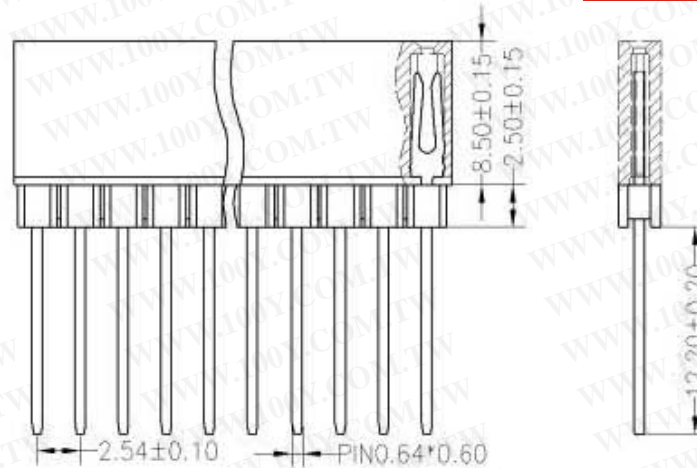
2285D 1 XX X N XX S Y X 01

No. of Pins Per Row 1*40

Insulator Material Option
 A=BK-PBT
 B=BK-PA66
 C=BK-PA6T
 D=BK-PA46
 E=BK-PA9T
 F=BK-LCP

Contact Plating
 G1:Gold Flash
 G2:1.5U" Gold
 G3:2U" Gold
 G4:3U" Gold
 G5:5U" Gold
 S0:Gold Flash/Tin
 SN:Tin

Packing
 O=PE Bag
 A=Troy
 T=Tube
 P=Tube+Cap
 R=Reel+Cap
 M=Reel+Mylar



				OPERATION		DRAW	YiYuSheng	12.03.28	SCALE	FIT		
				X.X	±0.30				UNIT	mm		
				X.XX	±0.20	CHECK		SIZE	A4	PART NO.		2285D1XXXNXXSYX01
				X.XXX	±0.10		APPROVE		SHEET	1/1	TITLE:	
REV	DATE	MODIFICATION DESCRIPTION	CHANGE	ANGLE	±3'			PROJ.				