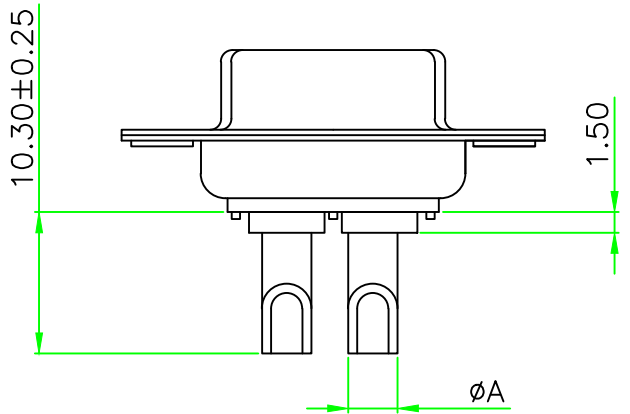
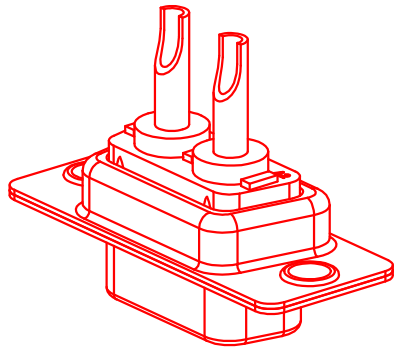
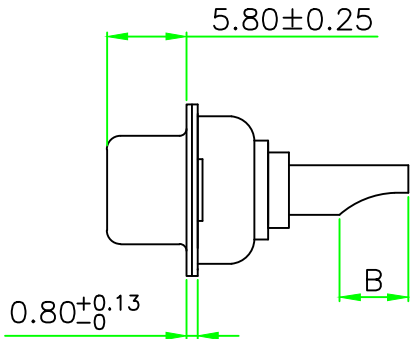
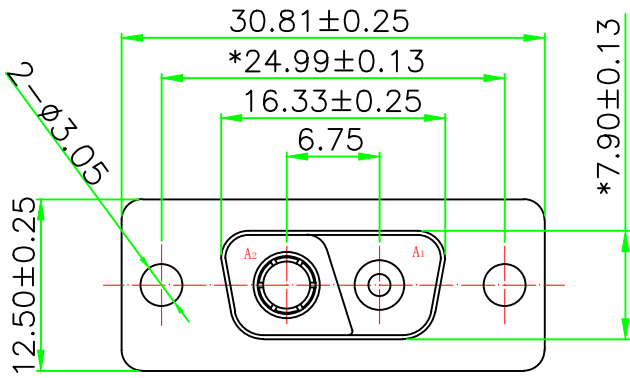


“*” Pivot Dimension

RoHS Component

PO(X)	A	B	WIRE	CURRENT RATING(A)
1	2.5	4.5	12#	10
2	3.6	5.0	10#	20
3	4.4	5.5	8#	30
4	5.5	5.5	6#	40



MATERIALS AND FINISH

SHELL: STEEL OR COPPER ALLOY MATERIAL, Tin/Ni OR Au FINISHED.
 CONNECTOR INSULATOR: PBT THERMOPLASTIC, 30% GLASS FILLED, UL 94V-0 RATED.
 HIGH POWER CONTACT : COPPER ALLOY MATERIAL, GOLD PLATED.

ELECTRICAL CHARACTERISTICS

HIGH POWER CONTACT CURRENT RATING: 10, 20, 30 OR 40 AMPS.
 THE WORKING VOLTAGE: 300V.
 HIGH POWER CONTACT RESISTANCE: 2.7 MILLIOHMS MAX.
 DIELECTRIC WITHSTANDING VOLTAGE: 1000 V AC FOR 1 MINUTE.
 INSULATION RESISTANCE: 2000 MEGAOHMS MIN.
 TEMPERATURE RATING: -55° ~ +125° .

勝特力電材超市-龍山店 886-3-5773766
 勝特力電材超市-光復店 886-3-5729570
 勝特力電子(上海) 86-21-34970699
 勝特力電子(深圳) 86-755-83298787
<http://www.100y.com.tw>

TOLERANCE: XX ±0.38 XX ±0.25 XXX ±0.13 X° ±5° XX° ±2°	DRAWN BY :	DATE :	PART NAME:	
		2009.03.30	2V2 母 电流焊线式传统铆合	
UNIT: mm [inch]	CHECKED BY :	DATE :	DRAW NO.	
		2009.04.18	PART NO.	
SCALE: 1:1	SIZE: A4	APPROVED BY :	DATE :	REMARK
			2009.04.18	MOLD NO.