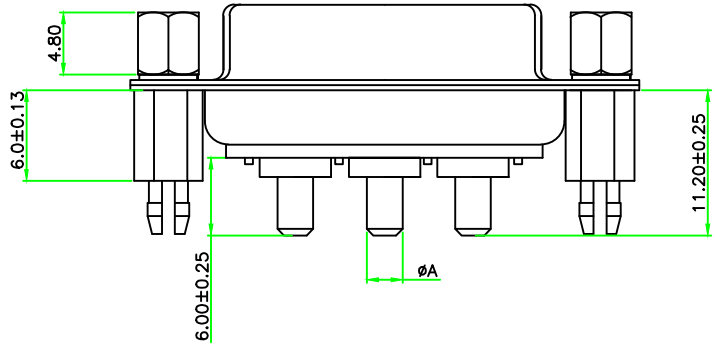
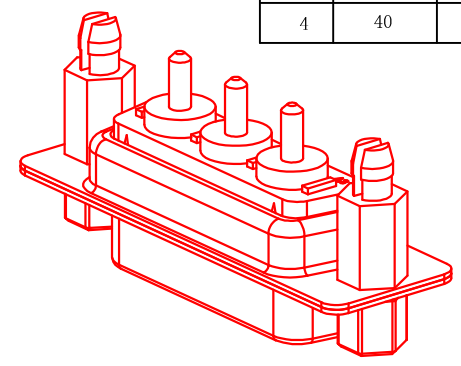
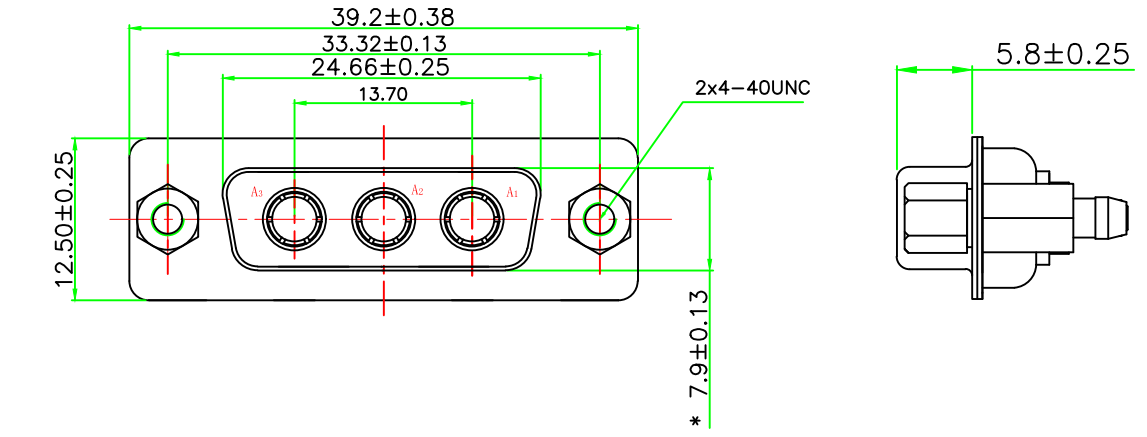


“*” Pivot Dimension

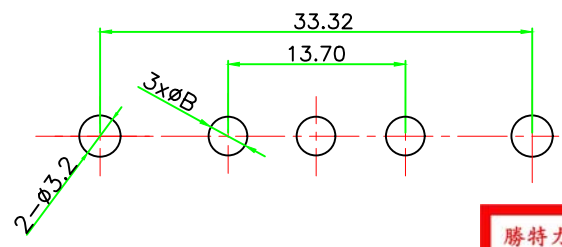
ROHS Component

PO(X)	电流强度(A)	φA	PCB φB
1	10	1.7	2.0
2	20	2.75	3.05
3	30	3.3	3.6
4	40	3.8	4.10



MATERIALS AND FINISH

SHELL:STEEL OR COPPER ALLOY MATERIAL, Tin/Ni OR Au FINISHED.
 CONNECTOR INSULATOR:PBT THERMOPLASTIC, 30% GLASS FILLED, UL 94V-0 RATED.
 HIGHT POWER CONTACT :COPPER ALLOY MATERIAL, GOLD PLATED.
 FORK/SCREW:COPPER ALLOY MATERIAL, Ni PLATED.
ELECTRICAL CHARACTERISTICS
 HIGH POWER CONTACT CURRENT RATING:10, 20, 30 OR 40 AMPS.
 THE WORKING VOLTAGE:300V.
 HIGH POWER CONTECT RESISTANCE:10 MILLIOHMS MAX.
 DIELECTRIC WITHSTANDING VOLTAGE:1000 V AC FOR 1 MINUTE.
 INSULATION RESISTANCE:2000 MEGAOHMS MIN.
 TEMPERATURE RATING:-55° ~+125° .



PCB LAYOUT

勝特力電材超市-龍山店 886-3-5773766
 勝特力電材超市-光復店 886-3-5729570
 勝特力电子(上海) 86-21-34970699
 勝特力电子(深圳) 86-755-83298787
<http://www.100y.com.tw>

TOLERANCE: X.X ±0.38 X.XX ±0.25 X.XXX ±0.13 X.° ±5° X.X° ±2°	DRAWN BY :	DATE : 2009.03.30	PART NAME: 3W3 母 电流直焊板式铆6.0鱼叉 锁4-40UNC*4.8螺丝
	CHECKED BY:	DATE : 2009.04.18	DRAW NO.
 mm [inch] SIZE: A4	APPROVED BY:	DATE : 2009.04.18	PART NO.
			REMARK
			MOLD NO.