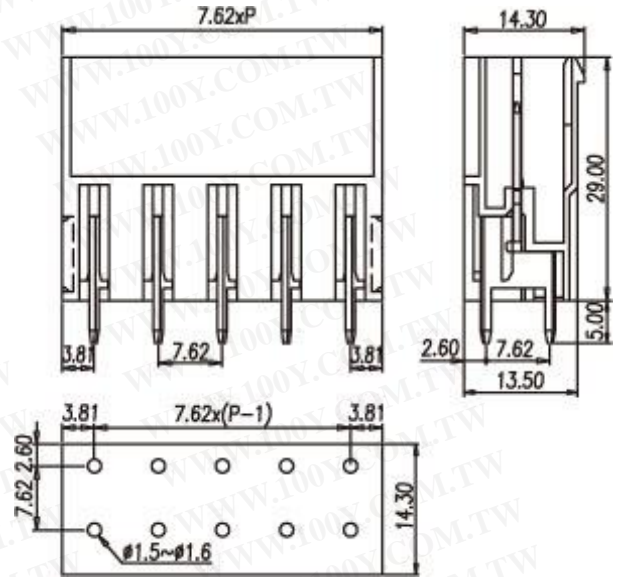
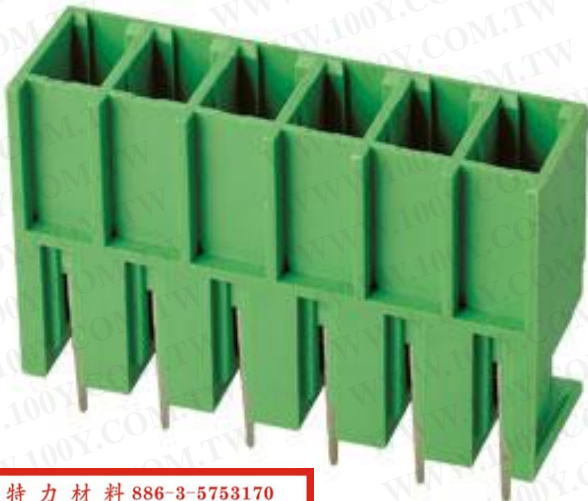


Headers(Sockets) for pluggable terminal blocks / ECH & EHD series



ECH762V



勝特力材料 886-3-5753170
 勝特力电子(上海) 86-21-34970699
 勝特力电子(深圳) 86-755-83298787
[Http://www.100y.com.tw](http://www.100y.com.tw)

Pitch: 7.62mm

Approval		
Technical Data	UL	IEC
Rated voltage	300V	450V
Rated current	30A	20A
Conductor cross-section, solid (AWG/ mm ²)		
Conductor cross-section, flexible (AWG/ mm ²)		
Rated surge voltage (UL/IEC/Max.)	1.6 / 2.5 / KV	
Torque (N-m)		
Screw		
Wire strip length		
Pole	Cat. No.	
02	ECH762V-02P	
:	:	
:	:	
12	ECH762V-12P	