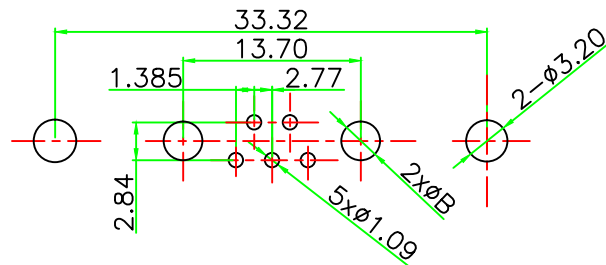
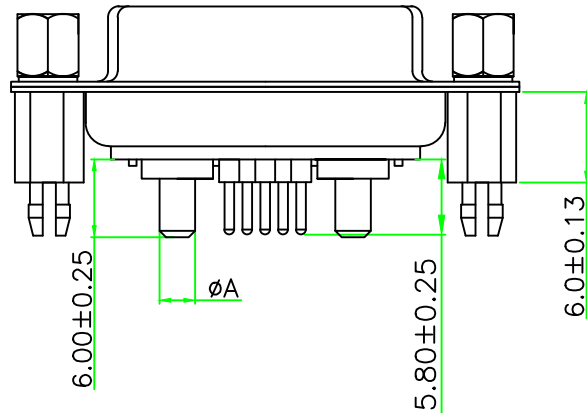
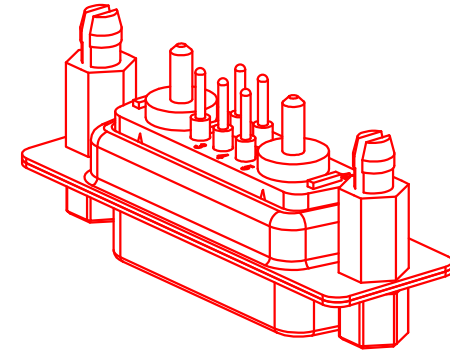
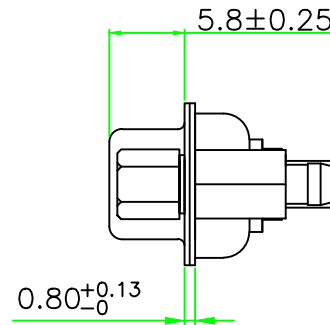
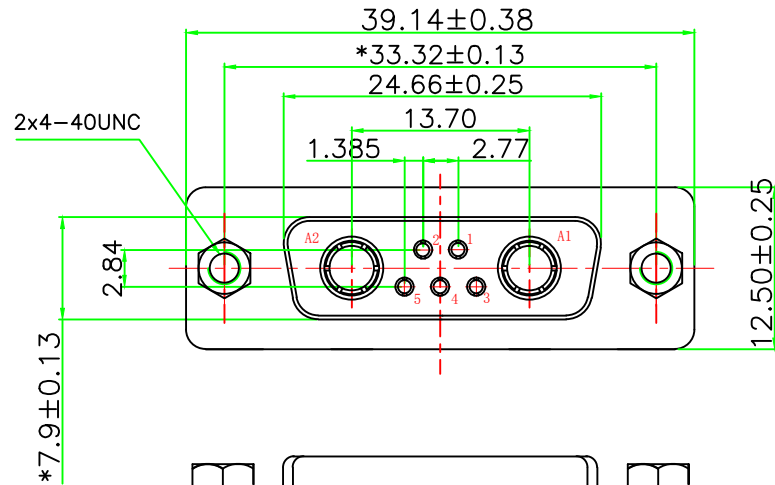


“\*” Pivot Dimension

RoHS Component

勝特力電材超市-龍山店 886-3-5773766  
 勝特力電材超市-光復店 886-3-5729570  
 勝特力電子(上海) 86-21-34970699  
 勝特力電子(深圳) 86-755-83298787  
<http://www.100y.com.tw>

PO(X)	电流强度(A)	φA	PCB φB
1	10	1.7	2.0
2	20	2.75	3.0
3	30	3.3	3.6
4	40	3.8	4.10



PCB LAYOUT

MATERIALS AND FINISH

SHELL:STEEL OR COPPER ALLOY MATERIAL, Tin/Ni OR Au FINISHED.  
 CONNECTOR INSULATOR:PBT THERMOPLASTIC, 30% GLASS FILLED, UL 94V-0 RATED.  
 HIGH POWER CONTACT :COPPER ALLOY MATERIAL, GOLD PLATED.  
 CONNECTOR WITH SIGNAL CONTACT MATERIAL: COPPER ALLOY , GOLD PLATED.  
 FORK/SCREW:COPPER ALLOY , Ni PLATED.

ELECTRICAL CHARACTERISTICS

HIGH POWER CONTACT CURRENT RATING:10, 20, 30 OR 40 AMPS.  
 CONNECTOR WITH SIGNAL CONTACT CURRENT RATING :5.0 AMPS.  
 THE WORKING VOLTAGE:300V.  
 HIGH POWER CONTACT RESISTANCE:2.7 MILLIOHMS MAX.  
 DIELECTRIC WITHSTANDING VOLTAGE:1000 V AC FOR 1 MINUTE.  
 INSULATION RESISTANCE:2000 MEGAOHMS MIN.  
 TEMPERATURE RATING:-55° ~+125° .

<b>TOLERANCE:</b> X.X ±0.38 X.XX ±0.25 X.XXX ±0.13 X.* ±5° X.* ±2°	<b>DRAWN BY :</b>	<b>DATE :</b> 2009.03.30	<b>PART NAME:</b> 7W2 母 电流直焊板式铆6.0鱼叉 锁4-40UNC*4.8螺丝	
	<b>CHECKED BY:</b>	<b>DATE :</b> 2009.04.18	<b>DRAW NO.</b>	
 UNIT: mm [inch] SCALE:1:1 SIZE: A4	<b>APPROVED BY:</b>	<b>DATE :</b> 2009.04.18	<b>PART NO.</b>	
			<b>REMARK</b>	
			<b>MOLD NO.</b>	