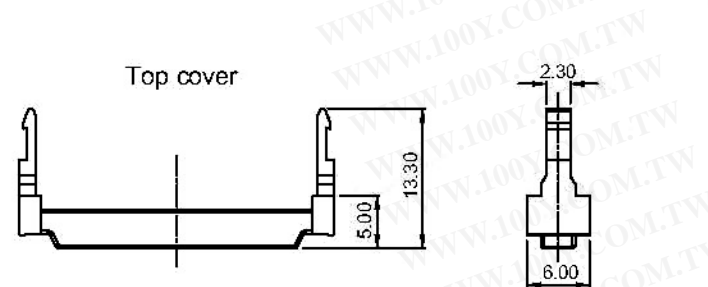
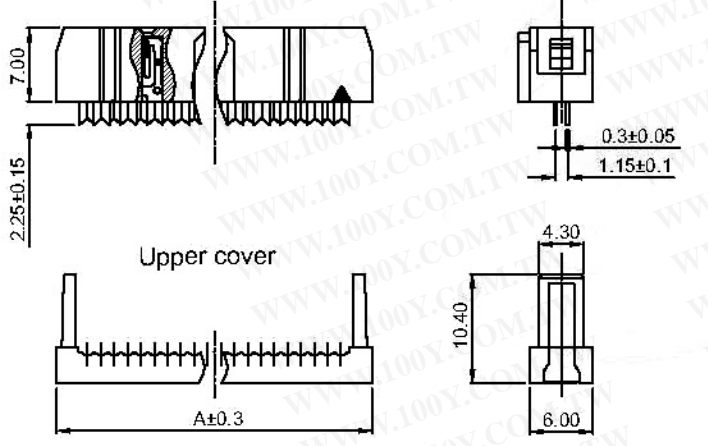
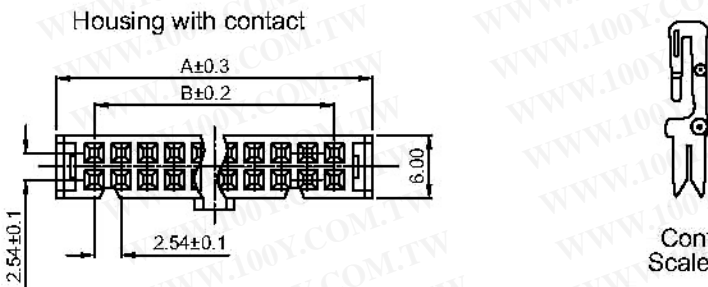


The information provided herein is from CONNELY Electronic Co., Ltd. and is confidential. Any disclosure to a party other than the recipient is prohibited. The intellectual properties and its rights contained herein, including but not limited to, trademarks, patents, copyrights, trade secrets, and technical know-how, are owned exclusively by CONNELY or its affiliates. Unauthorized use or reproduction of this information in any form or by any means, without the prior written permission of CONNELY, is strictly prohibited. CONNELY may enforce its intellectual property rights at its own discretion, failures or delays to exercise such rights does not constitute a waiver of such rights.

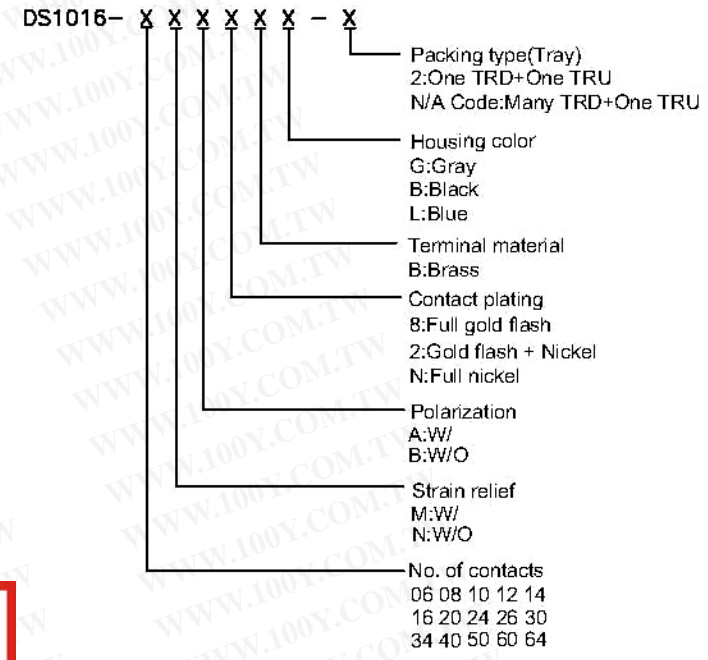
REV.	DESCRIPTION	DRAWN	CHECKED	APPROVED
A	NEW RELEASE	LJH 09/20/05'		LJC 09/20/05'
B	ADD PACKING TYPE	JLZ 04/02/15'	HZW 04/02/15'	LJC 04/02/15'
C	DRAWING UPDATE	JLZ 08/24/18'		



Position	Dimension	
	A	B
06	12.28	5.08
08	14.82	7.62
10	17.36	10.16
12	19.90	12.70
14	22.44	15.24
16	24.98	17.78
20	30.06	22.86
24	35.14	27.94
26	37.68	30.48
30	42.76	35.56
34	47.84	40.64
40	55.46	48.26
50	68.16	60.96
60	80.86	73.66
64	85.94	78.74

NOTES:

- Electrical characteristics:
  - Contact resistance: 20mΩ Max. Initial.
  - Dielectric withstanding voltage: 500V AC(rms) for 1 minute.
  - Insulation resistance: 1000MΩ Min.
- Environment characteristics:
  - Temperature: -40°C~+105°C.
- Part number: DS1016
- Product number code:



勝特力材料 886-3-5753170  
 勝特力电子(上海) 86-21-34970699  
 勝特力电子(深圳) 86-755-83298787  
[Http://www.100y.com.tw](http://www.100y.com.tw)



(Series Image-Reference Only)

GENERAL TOLERANCE		ANGLE TOLERANCE		PROJECTION		TITLE
X.	±0.60	X.	±5°	UNITS	mm	I.D.C SOCKET PITCH 2.54mm
.X	±0.38	.X	±3°	SHEET SIZE	A4	SERIES DS1016 SERIES
.XX	±0.25	.XX	±2°			
DRAWING TYPE		CUSTOMER				
SCALE		1:1	SHEET	1 OF 1		
DRAWING NO.		C-DS1016-XXXXXX-X-C				