

REV.	DESCRIPTION	DRAWN	CHECKED	APPROVED
A	NEW RELEASE	YCH 02/01/07	~	LJC 02/01/07
B	整理圖	YCH 08/15/07	~	LJC 08/15/07
D	Drawing Update	JLZ 07/25/16'	~	

NOTES:

- ELECTRICAL CHARACTERISTICS:
 - CONTACT RESISTANCE: 30m Ω ? Max.INITIAL.
 - DIELECTRIC WITHSTANDING VOLTAGE:500V AC(rms) FOR 1 MINUTE.
 - INSULATION RESISTANCE:1000M Ω ? Min.
- MECHANICAL CHARACTERISTICS:
 - DURABILITY: 300 CYCLES.
- ENVIRONMENT CHARACTERISTICS:
 - TEMPERATURE RANGE: -40°C~+105°C.

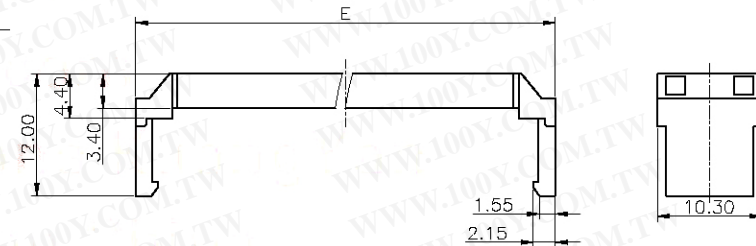
4. PRODUCT NUMBER CODE:

DS1036 - XX X X X X X X - YT

- SCREW TYPE
- X:W/O SCREW
- 1:CC TYPE
- 2:CS TYPE
- RIVET TYPE
- P:W/ THREAD(UNC #4-40)
- N:W/O THREAD(FOR W/O SCREW ONLY)
- CONTACT PLATING
- 2: GOLD+NICKEL
- HOUSING COLOR
- U:BLUE
- B:BLACK
- STRAIN RELIEF
- P:W/
- N:W/O
- CONNECTOR TYPE
- M:MALE
- F:FEMALE
- No.OF CONTACTS
- 09:9pos 15:15pos
- 25:25pos 37:37pos

Position	A \pm 0.1	B \pm 0.2	C \pm 0.2	D \pm 0.2		E \pm 0.2
				Male	Female	
9P	10.16	30.80	24.99	17.90	16.33	19.00
15P	17.78	39.14	33.32	26.50	24.66	27.34
25P	30.48	53.04	47.04	40.00	38.38	41.24
37P	45.72	69.32	63.50	56.50	54.84	57.52

UPPER COVER

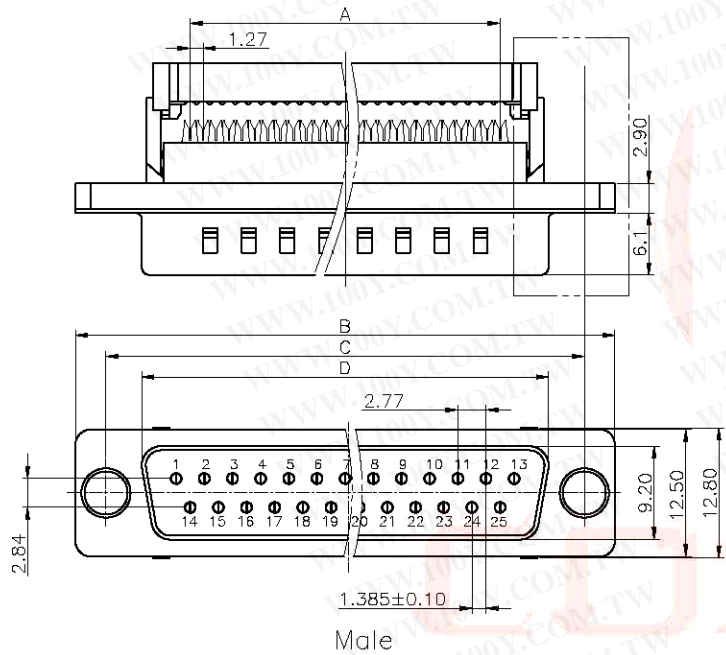


GENERAL TOLERANCE	ANGLE TOLERANCE
X. \pm 0.60	X. \pm 3'
.X \pm 0.38	.X \pm 2'
.XX \pm 0.25	.XX \pm 1'

PROJECTION	TITLE
	I.D.C D-SUB
UNITS	mm
SHEET SIZE	A4
SERIES	DS1036 SERIES

DRAWING TYPE	CUSTOMER
SCALE	1:1
DRAWING NO.	C-DS1036-XXXXXXXX-YT-D
SHEET	1 OF 1

勝特力材料 886-3-5753170
 勝特力电子(上海) 86-21-34970699
 勝特力电子(深圳) 86-755-83298787
[Http://www.100y.com.tw](http://www.100y.com.tw)



W/O SCREW TYPE

