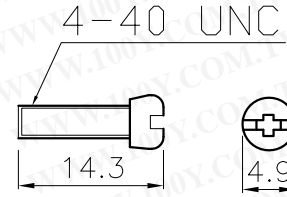
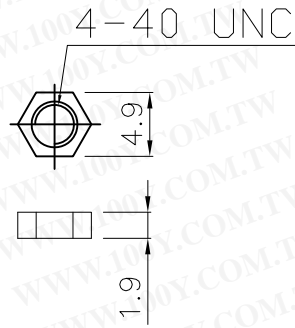
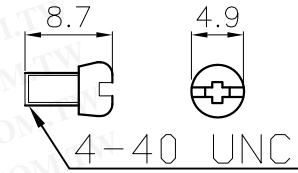
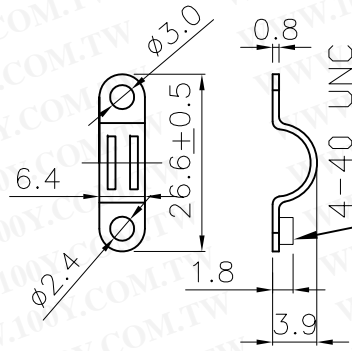
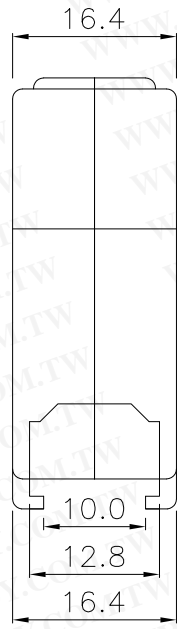
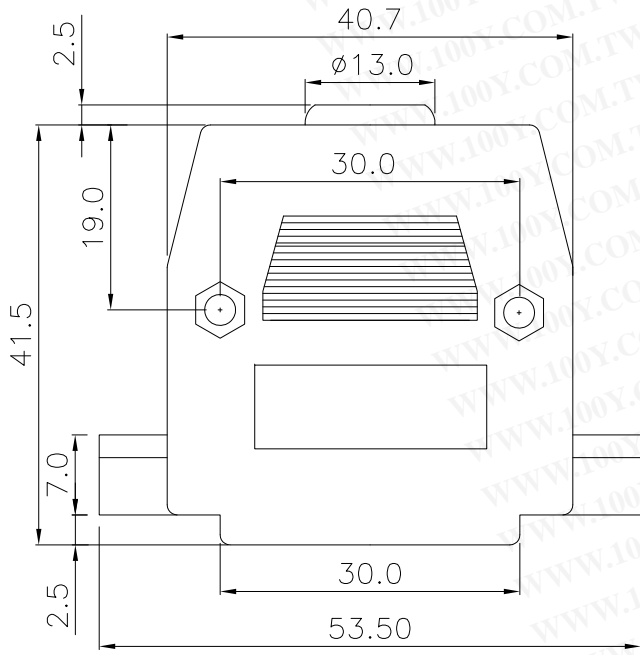
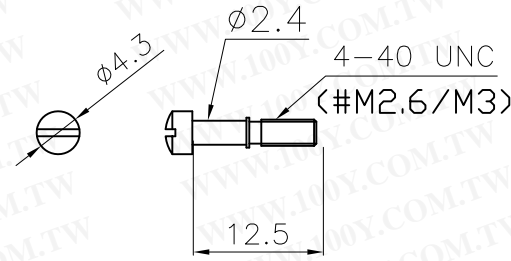
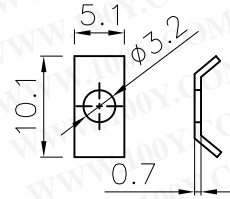
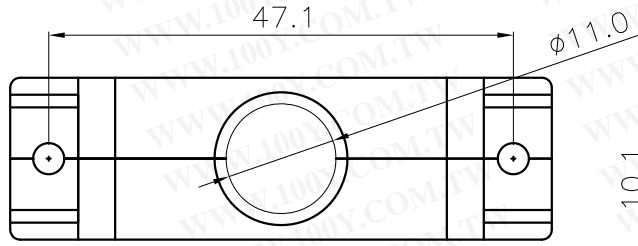


MATERIAL:
 INSULATOR : ABS UL94HB
 SCREW: STEEL
 FINISHED : CHROMATE PLATED
 R=ROHS環保料件,
 TYPE OPTION:
 101=STANDARD TYPE SHORT SCREW
 (一般裝配殼+短螺絲系列)
 INSULATOR COLOR:
 G=GREY (灰色)



勝特力材料 886-3-5753170
 勝特力电子(上海) 86-21-34970699
 勝特力电子(深圳) 86-755-83298787
[Http://www.100y.com.tw](http://www.100y.com.tw)

UNLESS OTHERWISE SPECIFIED TOLERANCE		
ANG.	±5°	
0.	±0.3	
.0	±0.3	
.00	±0.2	
SCALE:	UNIT:	mm
DRAWN	03/03/16	DRAWN NAME:
CHECKED	03/03/16	D-SUB PLASTIC HOOD,25P
APPROVED	03/03/16	STANDARD TYPE,SHORT SCREW
		PRODUCT NO. R101-25G
		FILE NAME: R101-25G

REV.		DESCRIPTION	DATE
A			