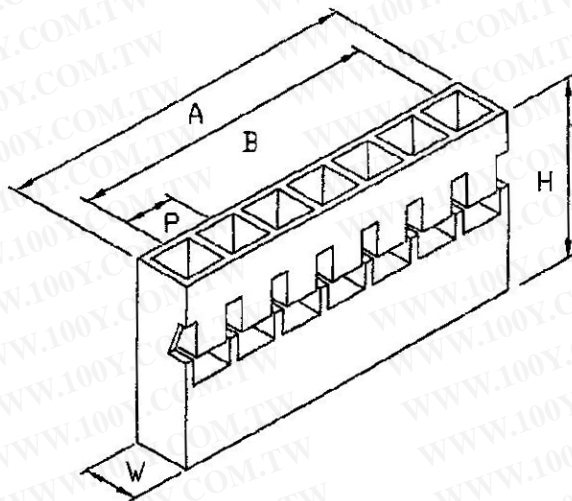


DRAWING OF FINISHED PRODUCTS



ITEM NO:CH204-1x
 MATERIAL:NYLON65 UL94V-0
 MATE:CT204PS-00 TERMINAL
 VOLTAGE RATING:AC,DC,250V
 CURRENT RATING:AC,DC,1A
 INSULATION RESISTANCE:1.000M Ω min.
 TEMPERATURE RANGE:-25° TO +85°
 WITHSTANDING VOLTAGE:800V AC/minute
 COLOR:BLACK

DIMENSION:(MM)
 P:2.0 \pm 0.1
 W:2.1 \pm 0.2
 H:7.2 \pm 0.2

PIN	A \pm 0.3	B \pm 0.2
1x2	4.2	2.0
1x3	6.2	4.0
1x4	8.2	6.0
1x5	10.2	8.0
1x6	12.2	10.0
1x7	14.2	12.0
1x8	16.2	14.0
1x9	18.2	16.0
1x10	20.2	18.0
1x11	22.2	20.0
1x12	24.2	22.0
1x13	26.2	24.0
1x14	28.2	26.0
1x15	30.2	28.0
1x16	32.2	30.0
1x17	34.2	32.0
1x18	36.2	34.0
1x19	38.2	36.0
1x20	40.2	38.0

勝特力材料 886-3-5753170
 勝特力电子(上海) 86-21-34970699
 勝特力电子(深圳) 86-755-83298787
[Http://www.100y.com.tw](http://www.100y.com.tw)