

	<p align="center">PRODUCT SPECIFICATION</p>	<p align="center">F C I JAPAN</p>
---	---	-----------------------------------

**CONNECTOR USED FOR FPC/FFC WITH 0.5mm CONTACT SPACING  
 COPING WITH AUTOMATIC MOUNTING & SMT**

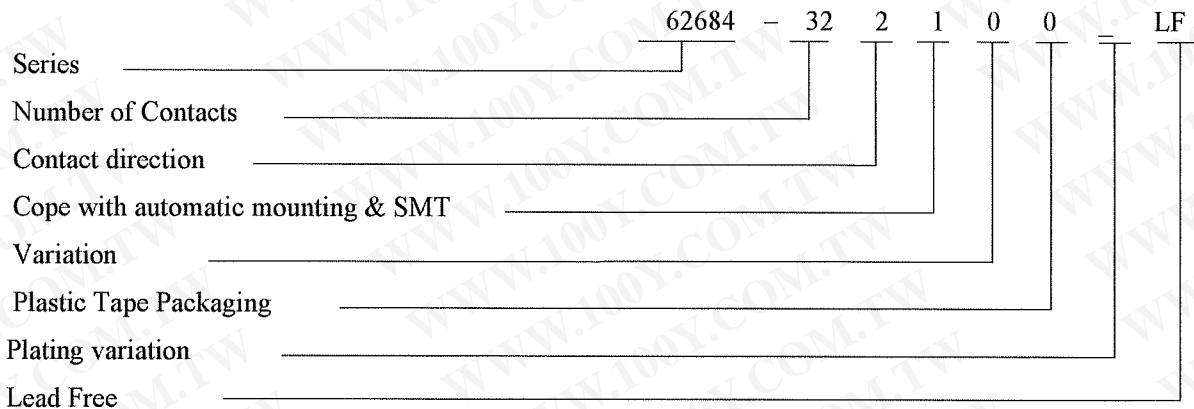
**1. SCOPE**

This specification covers the requirements for the connector (62684- \_\_\_\_\_) with 0.5mm spacing to which the edge of FPC(Flexible Printed Circuit) and FFC(Flexible Flat Cable) can be connected by Zero-Insertion-Force method and which copes with automatic mounting and SMT.

**2. APPLICABLE STANDARDS**

- JIS C 5402                      Method for Test of Connectors for Electronic Equipment
- JIS C 0806                    Packing of Electronic Components on Continuous Tapes  
 (Surface Mount Components)
- UL - 94                        TESTS FOR FLAMMABILITY OF PLASTIC MATERIALS FOR PARTS IN  
 DEVICES AND APPLIANCES.

**3. CATALOG NO. STRUCTURE**



**4. CONNECTOR SHAPE, DIMENSIONS AND MATERIALS**

See attached drawings.

**5. ACCOMMODATED CONDUCTORS (FPC)**

See attached drawings.

**6. PACKAGING CONDITION**

See attached drawings.

**7. RECOMMENDED MOUNTING PATTERN DIMENSIONS**

See attached drawings.

E	Revised ECN J06-0194	5/17/06	H.T	PREP'D	NO:  <b>110-450H</b>	REV.  <b>E</b>
D	Revised ECN J04-0456	12/14/04	H.T	BY: <i>[Signature]</i>		
C	Revised ECN J04-0432	12/1/04	H.T	ISS'D		
B	Revised ECN J04-0353	10/6/04	H.T	BY: <i>[Signature]</i>		
A	Released ECN J04-0276	8/26/04	H.T	APPR'D		
REV.	<b>CONTENTS</b>	<b>DATE</b>	<b>BY</b>	BY: <i>[Signature]</i>		

8. RATING

8-1. Voltage : A.C.50V

D.C.50V

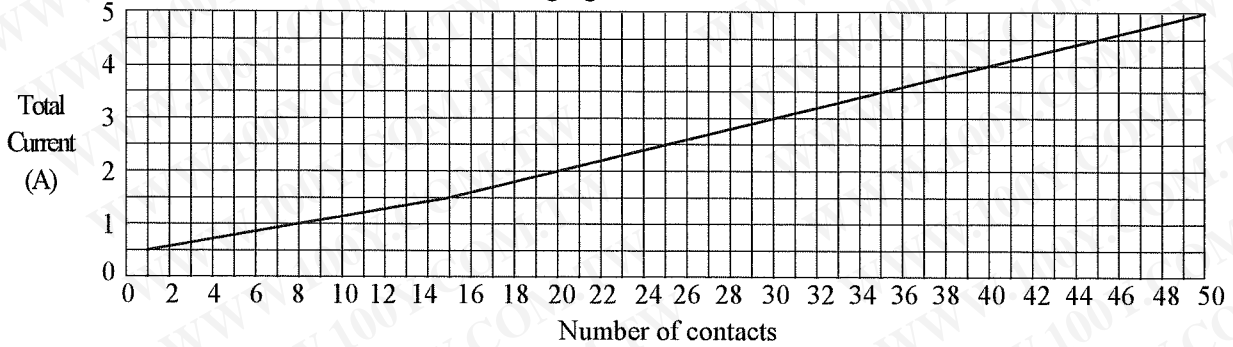
8-2. Current : A.C.0.5A

D.C.0.5A (Refer to the following note.)

8-3. Operating Temperature : -55°C ~ +85°C (Including terminal temperature rises)

NOTE

Allowable maximum current for one contact is 0.5A. Total allowable current for a whole connector is the value which is shown in the following figure.



9. PERFORMANCE CHARACTERISTICS

9-1. Electrical Performance

No.	Test Item	Test Method	Requirements
9-1-1	Contact resistance	<p>1) Measure contact resistance between V<sub>1</sub>-V<sub>2</sub> by voltage drop method by the following circuit by mating accommodated conductor stipulated in clause 5 after reflow soldering the connector on the P.C.B.</p> <p>2) Open circuit voltage : Less than A.C.20mV 3) Test current : Less than A.C.20mA</p>	<p>1) Initial value : Less than 30mΩ 2) Contact resistance after the test is in accordance with the value specified in each test item.</p>
9-1-2	Insulation resistance	<p>1) Measure insulation resistance between adjacent contacts in a connector individual. 2) Test voltage : D.C.500V 3) Read value one minute after applying test voltage.</p>	1) More than 100MΩ
9-1-3	Dielectric withstanding voltage	<p>1) For one minute, apply A.C.200V between adjacent contacts in a connector individual. 2) Set current : A.C.1mA</p>	1) Free from any short circuit and insulation breakdown.

NO:	REV.
110-450H	E

9-2. Mechanical Performance

No.	Test Item	Test Method	Requirements
9-2-1	Durability (Slider operation)	1) Measure contact resistance before and after the test by the method in clause 9-1-1 by mating the accommodated conductor specified in clause 5. 2) Number of slider open and close : 20 times (Insert and extract the conductor for each opening of the slider.)	1) Initial contact resistance : Less than 30mΩ 2) Contact resistance after the test : Less than 50mΩ 3) Free from any defect such as break etc. on the connector and conductor.
9-2-2	Vibration (Sinusoidal)	JIS C 0040 1) Frequency range : 10 ~ 500Hz 2) Amplitude : 0.75mm or Acceleration : 100m/s <sup>2</sup> 3) Sweep rate : 1 octave/minute 4) Kind of test : Sweep endurance test 5) Test time : 10 cycles	1) During the test, no circuit opening for more than 1μs. 2) Free from any defect such as break, deformation, loosening and falling off etc. on each portion of the connector.

9-3. Environmental Performance

No.	Test Item	Test Method	Requirements
9-3-1	Damp heat (Steady state)	JIS C 0022 1) Measure contact resistance before and after the test by the method in clause 9-1-1 by using the accommodated conductor specified in clause 5. 2) Measure insulation resistance after the test by the method in clause 9-1-2. 3) Bath temperature : 40°C 4) Bath humidity : 90 ~ 95% (relative humidity) 5) Period of exposure : 48 hours 6) Expose conductor and connector in mated condition and leave them under normal temperature. (Without insertion and separation)	1) Initial contact resistance : Less than 30mΩ 2) Contact resistance after the test : Less than 50mΩ 3) Insulation resistance after the test : More than 100MΩ
9-3-2	Salt spray	JIS C 0023 1) Measure contact resistance before and after the test according to the method in clause 9-1-1 by using accommodated conductor specified in clause 5. 2) Salt solution concentration : 5% 3) Period of exposure : 48 hours 4) Expose conductor and connector in mated condition and leave them under normal temperature after posttreatment. (24 hours)	1) Initial contact resistance : Less than 30mΩ 2) Contact resistance after the test : Less than 50mΩ

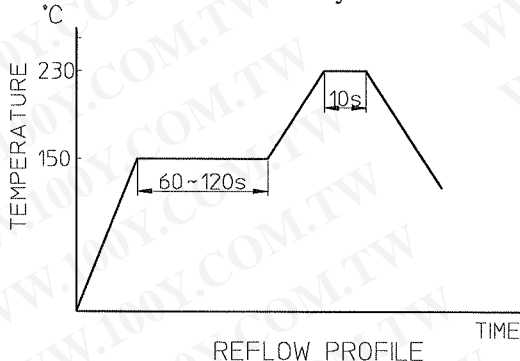
NO :	REV.
110-450H	E

No.	Test Item	Test Method	Requirements															
9-3-3	Change of temperature	<p>JIS C 0025</p> <p>1) Measure contact resistance before and after the test according to the method in clause 9-1-1 by using accommodated conductor in clause 5.</p> <p>2) One cycle of temperature is as follow and test 5 cycles.</p> <table border="1"> <thead> <tr> <th>Step</th> <th>Temp.(°C)</th> <th>Time(min.)</th> </tr> </thead> <tbody> <tr> <td>1</td> <td>-55±3</td> <td>30</td> </tr> <tr> <td>2</td> <td>25±2</td> <td>2 ~ 3</td> </tr> <tr> <td>3</td> <td>85±2</td> <td>30</td> </tr> <tr> <td>4</td> <td>25±2</td> <td>2 ~ 3</td> </tr> </tbody> </table> <p>3) Expose conductor and connector in mated condition and leave them under normal temperature.</p>	Step	Temp.(°C)	Time(min.)	1	-55±3	30	2	25±2	2 ~ 3	3	85±2	30	4	25±2	2 ~ 3	<p>1) Initial contact resistance : Less than 30mΩ</p> <p>2) Contact resistance after the test : Less than 50mΩ</p> <p>3) Free from any defect such as crack, warping and deformation etc. on each portion the connector.</p>
Step	Temp.(°C)	Time(min.)																
1	-55±3	30																
2	25±2	2 ~ 3																
3	85±2	30																
4	25±2	2 ~ 3																

9-4. Other performance

No.	Test Item	Test Method	Requirements
9-4-1	Soldering (Resistance to reflow soldering)	<p>1) Solder by setting reflow bath on the following condition.</p> <p>2) Preheating : 150±10°C, 60~120 s</p> <p>3) Soldering : 240±5°C, 30±1s</p> <p>NOTE : Temperature must be measured at contact terminal portion and peak temperature on the upper surface of P.C.B must be less than 260°C.</p> <p>4) Solder paste to be used is JIS Z 3282 H60A or H63A. Soldering particle is more than 325 mesh and flux is inactive rosin family flux.</p> <p style="text-align: center;">REFLOW PROFILE</p>	<p>1) Contact resistance after the test : Less than 50mΩ</p> <p>2) Insulation resistance after the test : More than 100MΩ</p> <p>3) No short circuit and insulation breakdown for dielectric withstanding voltage test after this test.</p> <p>4) Free from any damage on performance and contact performance after soldering.</p>

NO :	REV.
110-450H	E

No.	Test Item	Test Method	Requirements
9-4-2	Soldering (Solderability) (Reflow)	1) Solder by setting reflow bath on the following condition. 2) Preheating : 150±10°C, 60~120 s 3) Soldering : 230±5°C, 10±1s NOTE : Temperature must be measured at contact terminal portion and peak temperature on the upper surface of P.C.B must be less than 260°C. 4) Solder paste to be used is JIS Z 3282 H60A or H63A. Soldering particle is more than 325 mesh and flux is inactive rosin family flux. 	1) Actual soldered area must be more than 90% of the dipped area intended to be soldered.
9-4-3	Conductor retention force (Reference)	1) Measure initial retention force after inserted and locked by using our company's test conductor.	1) More than 0.25N/contact

10. INDICATION AND PACKAGING

10-1. Indication

- 1) Catalog number and lot number are not be indicated on the connector.
- 2) Catalog number and quantity shall be indicated on the surface of the package box.

10-2. Packaging

- 1) The connector individuals are packed by tapes with specified quantity in accordance with [JIS C 0806 "Packaging of Electronic Components on Continuous Tapes (Surface Mount components)"] and put into package box in accordance with FCI JAPAN packaging specification.

11. Remarks

- 11-1. Please use for Gold plating FPC as accommodated conductor.
- 11-2. Retention force specified in clause 9-4-3 differs due to it's kind, structure and surface treatment of conductor. Therefore, the value of retention force specified in the clause for performance is reference value.

NO:	REV.
110-450H	E

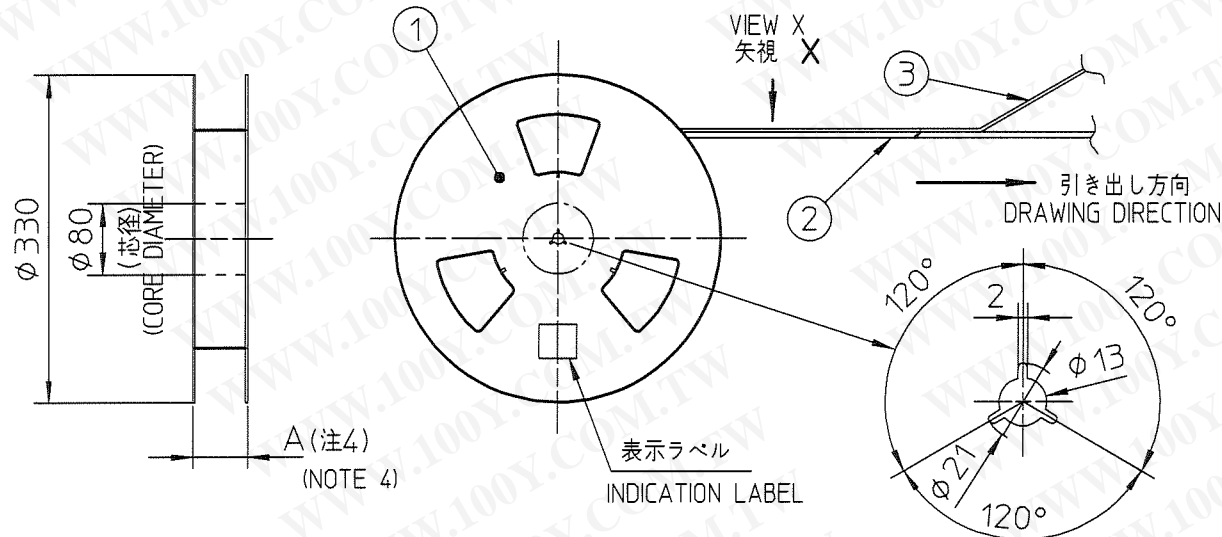


部品表 PARTS LIST

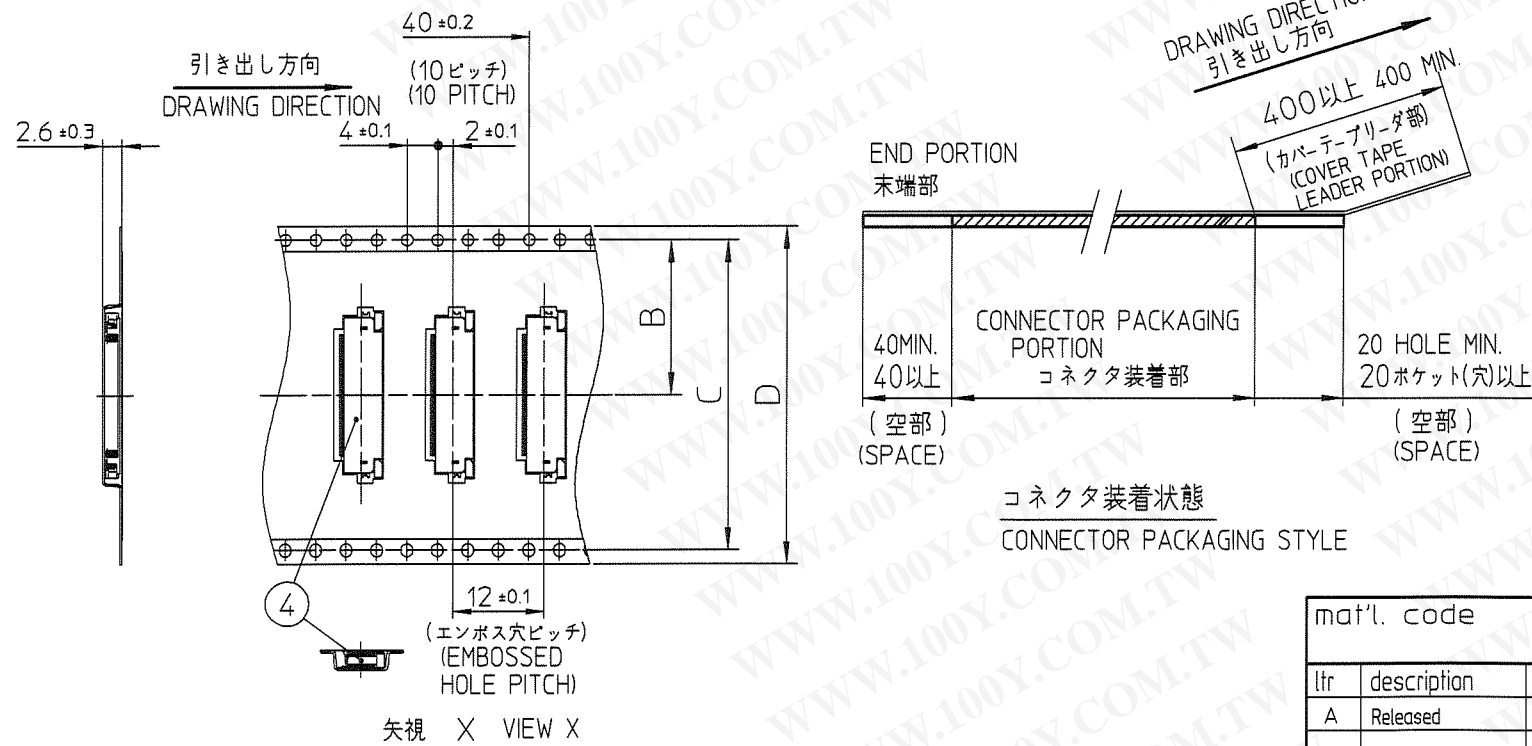
部番 PT NO	品名 PARTS NAME	型番 CAT. NO.	材質 MATERIAL	数量 Q'TY	記号 NOTE
1	リール REEL	—	硬質紙 CARDBOARD	1	色:白 COLOR: WHITE
2	プラスチック (エンボス)テープ PLASTIC (EMBOSS) TAPE	—	PET樹脂 A-PET	—	色:透明 COLOR: TRANSPARENCY
3	カバーテープ COVER	—	ポリエステル POLYESTER	—	色:透明 COLOR: TRANSPARENCY
4	コネクタ CONNECTOR	62684-__210	SHEET NO.2 参照 SEE SHEET NO.2	2000	

製品の種類 CAT. NO. & DIMENSIONS

極数 NO. OF CONTACTS (n)	型番 CAT. NO.	寸法 DIMENSIONS			
		A ± 5	B ± 0.1	C ± 0.1	D ± 0.3
32	62684-322100	48.4	20.2	40.4	44
34	62684-342100	48.4	20.2	40.4	44
36	62684-362100	48.4	20.2	40.4	44
40	62684-402100	48.4	20.2	40.4	44
43	62684-432100	48.4	20.2	40.4	44
45	62684-452100	48.4	20.2	40.4	44
50	62684-502100	48.4	20.2	40.4	44



型番	表面処理 SURFACE TREATMENT
62684-__2100	はんだめっき SOLDER PLATING



NOTE

- THIS PRODUCT IS THE CONNECTOR USED FOR FPC/FFC AND COPES WITH AUTOMATIC MOUNTING (SMT).
- THIS CATALOG NO. INDICATES PLASTIC TAPE PACKAGED CONNECTOR.
- SEE JIS C 0806 (PACKING OF ELECTRONIC COMPONENTS ON CONTINUOUS TAPES (SURFACE MOUNTING DEVICES)) FOR SHAPE AND DIMENSIONS OF PLASTIC (EMBOSS) TAPE AND REEL.
- A DIMENSION IS PORTION OF THE CORE.

注記

- 本製品は、自動実装 (SMT) 対応 FPC/FFC用コネクタである。
- 本型番は、プラスチックテープ梱包品を示す。
- プラスチック (エンボス) テープ及びリール形状寸法は、JIS C 0806 (電子部品のテーピング (表面実装部品)) に準ずる。
- A寸法は、芯径部 (コア部) の寸法を示す。

mat'l. code					surface ISO 1302		tolerance ISO 406 ISO 1101		projection		product family		CODE	
lfr	description	ecn no	dr	date	tolerances unless otherwise specified		±5		mm		58DF		JP	
A	Released	J00527	T.H	7/31/00	angles	linear			scale X		title			
AA	Changed sheet 6,7,8,9	J10-0178	M.Y	2010-6-24	±5°						0.5mmピッチ FPC/FFC用 SMTタイプコネクタ プラスチック梱包品			
AB	Changed sheet 8	J11-0134	H.T	2011-6-10	dr	S. Hatanaka 2011-11-29				PLASTIC TAPE PACKAGED				
AC	Changed sheet 6 and 7	J11-0246	S.W	2011-10-21	enrg	S. Hatanaka 2011-11-29				0.5mm CONTACT SPACING CONNECTOR				
AD	Added sheet 11 to 14	J11-0249	M.Y	2011-11-04	chr	Y. Yamada 2011-11-29				dwg no		sheet 1 of 14	size	
AE	Changed sheet 8 and 9	J11-0270	S.W	2011-11-29	appd	M. Ueda 2011-11-29				62684		A3		
sheet	revision	AE	L	E	J	G	J	N	L	M	D	A	A	A
index	sheet	1	2	3	4	5	6	7	8	9	10	11	12	13
														Rev. AE

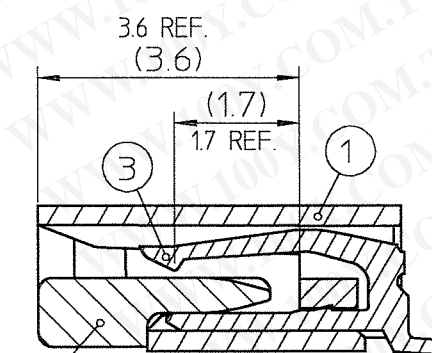
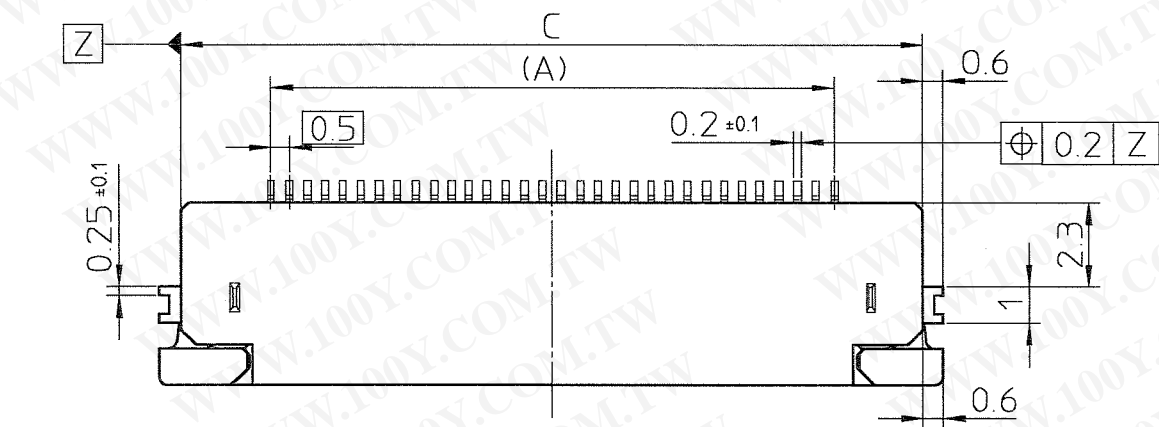
部品表 PARTS LIST

部番 PT NO.	品名 PARTS NAME	材質 MATERIAL	記事 NOTE
		62684-__210	
1	ハウジング HOUSING	ガラス繊維入り耐熱性樹脂 (UL94V-0) GLASS FILLED THERMOPLASTIC (UL94V-0)	色 : ベージュ COLOR : BEIGE
2	スライダー SLIDER	ガラス繊維入り耐熱性樹脂 (UL94V-0) GLASS FILLED THERMOPLASTIC (UL94V-0)	色 : 黒 COLOR : BLACK
3	コンタクト CONTACT	りん青銅 : はんだめっき PHOSPHOR BRONZE : SOLDER PLATING	
4	金具 MOUNTING PLATE	黄銅 : はんだめっき BRASS : SOLDER PLATING	

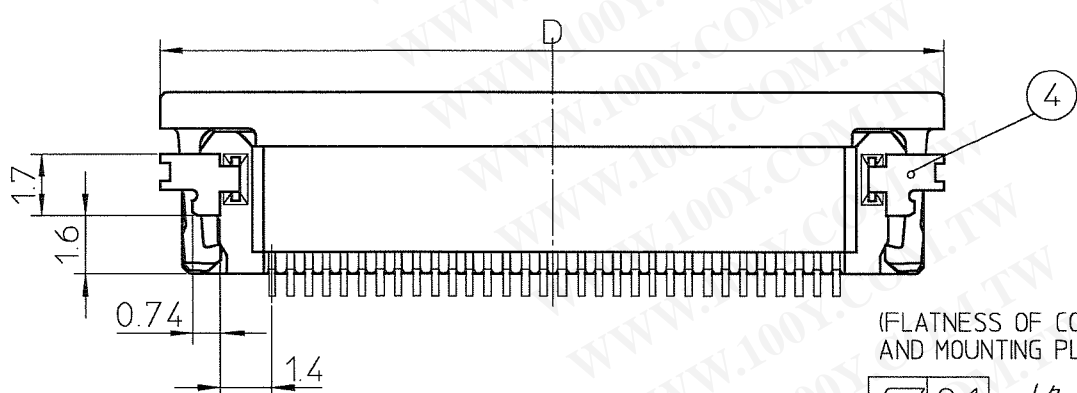
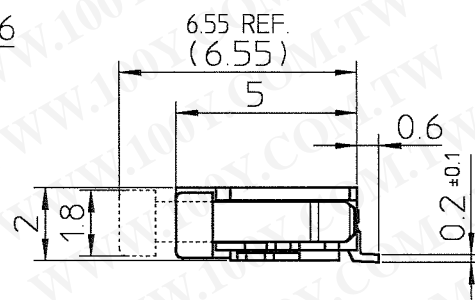
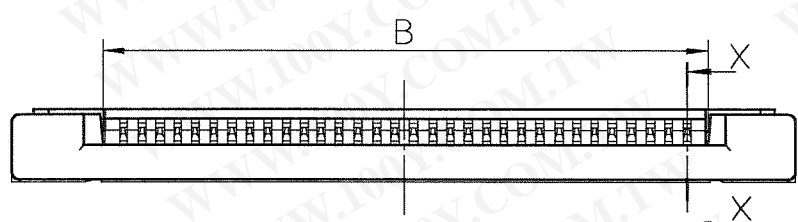
製品の種類 CAT. NO. & DIMENSIONS

極数 NO. OF CONTACTS (n)	型番 CAT. NO.	寸法 DIMENSIONS			
		A	B	C	D
32	62684-32210	15.5	16.65	20.3	21.5
34	62684-34210	16.5	17.65	21.3	22.5
36	62684-36210	17.5	18.65	22.3	23.5
40	62684-40210	19.5	20.65	24.3	25.5
43	62684-43210	21	22.15	25.8	27
45	62684-45210	22	23.15	26.8	28
50	62684-50210	24.5	25.65	29.3	30.5

□ : 極数  
n : NO. OF CONTACTS



断面X-X  
SECTION X-X



(FLATNESS OF CONTACT TERMINAL AND MOUNTING PLATE)

0.1 (ターミナル、金具の平面度)

注記

1. 本製品は、自動実装 (SMT) 対応 FPC、FFC 用コネクタである。
2. プラスチック (エンボス) テープ梱包品及びその型番は SHEET No.1 に示す。
3. 推奨基板パターン寸法、適用導体は SHEET No.3 に示す。

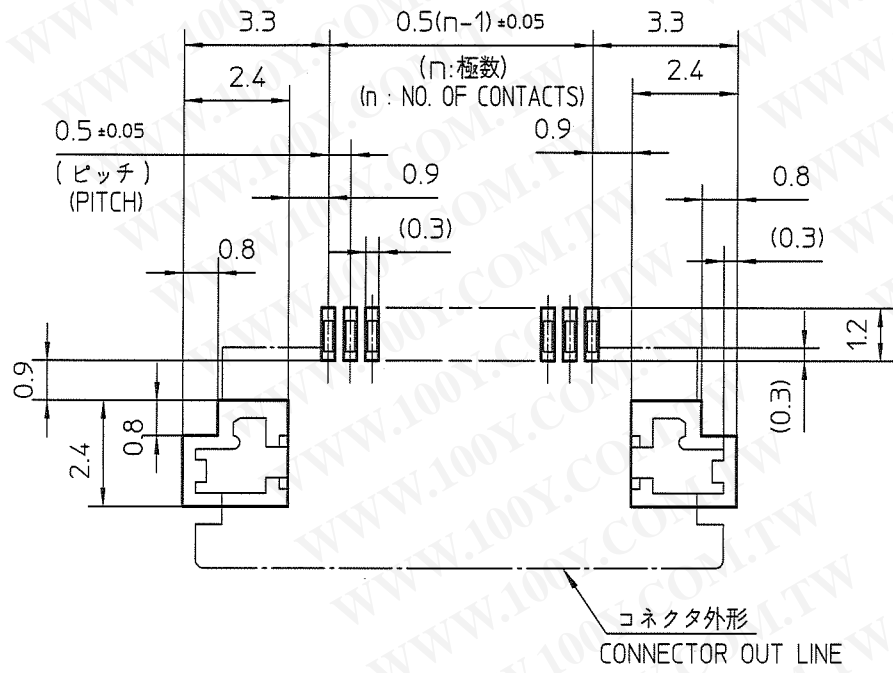
NOTE

1. THIS PRODUCT IS THE CONNECTOR USED FOR FPC/FFC AND COPELS WITH AUTOMATIC MOUNTING (SMT).
2. SEE SHEET No.1 REGARDING PLASTIC TAPE PACKAGED PRODUCT.
3. SEE SHEET No.3 REGARDING RECOMMENDED PC BOARD LAYOUT AND CABLE.

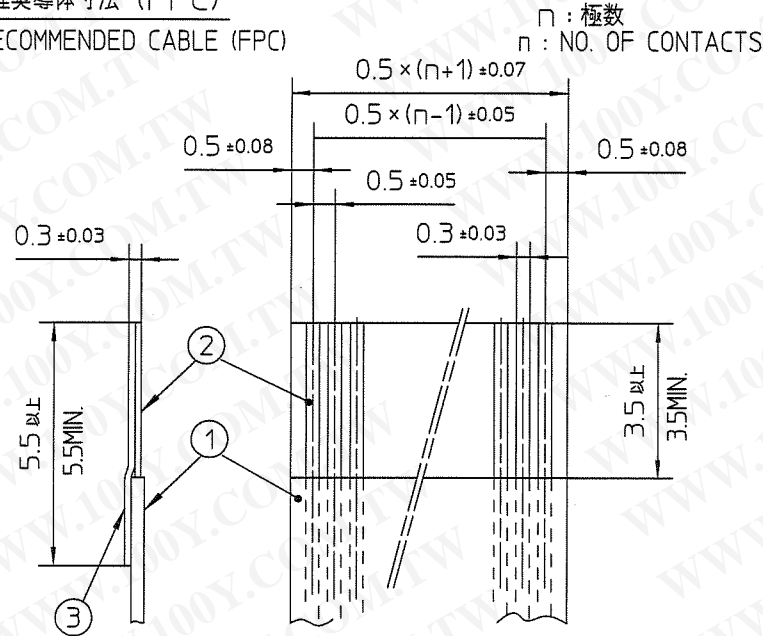
mat'l. code				surface ISO 1302 ✓	tolerance ISO 406 ISO 1101	projection ⊕	product family 58DF	CODE JP
ltr	description	ecn no	dr date	tolerances unless otherwise specified		scale X	title 0.5mmピッチFPC/FFC用コネクタ 0.5mm CONTACT SPACING CONNECTOR	
G	REVISED	J04-0276	H.T 8/26/04	angles	linear ±0.3		dwg no 62684	
H	REVISED	J04-0353	H.T 10/6/04			sheet 2 of size A3		
J	REVISED	J04-0432	H.T 12/1/04			type Product Customer Drawing		
K	ADDED THIN Sn PLATING	J05-0801	H.T 11/25/05	dr	10/18/06	Rev. L		
L	Deleted B and Z type	J06-0429	H.T 10/18/06	enr	10/18/06			
				chr	10/18/06			
				appd	10/18/06			
sheet index	revision sheet							



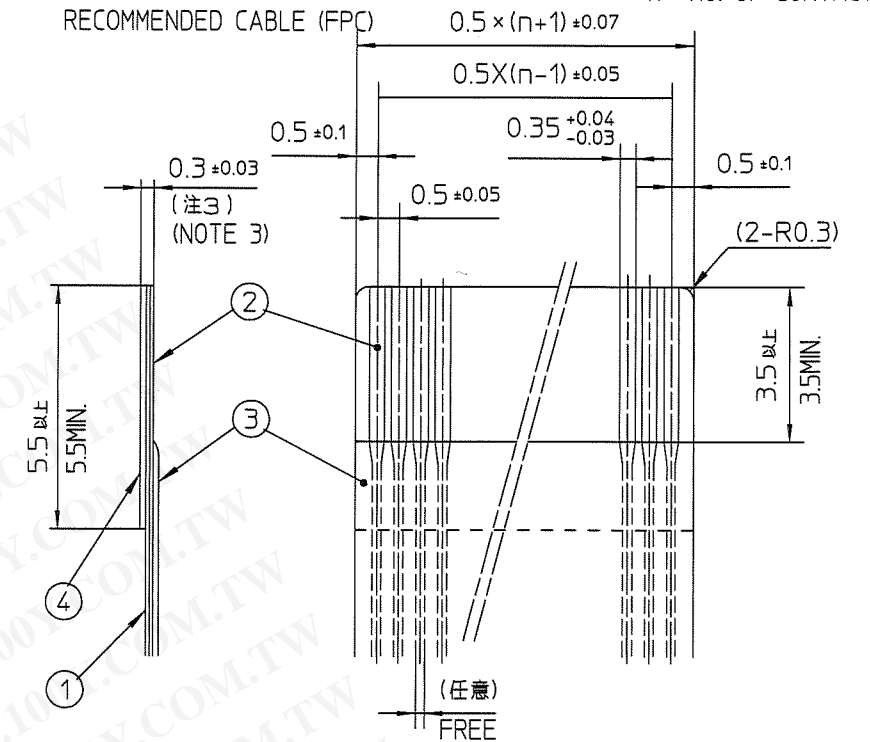
推奨基板パターン寸法  
(部品搭載側)  
RECOMMENDED PC BOARD LAYOUT  
(COMPONENT SIDE)



推奨導体寸法 (FFC)  
RECOMMENDED CABLE (FFC)



推奨導体寸法 (FPC)  
RECOMMENDED CABLE (FPC)



部番 PT NO.	品名 PARTS NAME	材質 MATERIAL	厚み (μm) THICKNESS (μm)
1	絶縁体 INSULATOR	難燃性ポリエステル又は同等材 FLAME RESISTING POLYESTER OR EQUAL	—
2	導体 CONDUCTOR	銅箔 COPPER FOIL	35 又は 50 OR
3	補強板 SUPPORTING TAPE	難燃性ポリエステル又は同等材 FLAME RESISTING POLYESTER OR EQUAL	—

部番 PT NO.	品名 PARTS NAME	材質 MATERIAL	厚さ (μm) THICKNESS (μm)
1	ベースフィルム BASE FILM	ポリイミド又は、ポリエステル又は、同等材 POLYIMIDE OR POLYESTER OR EQUAL	25
2	導体 CONDUCTOR	銅箔 COPPER FOIL	35 又は 50 OR
3	オーバーレイ OVERLAY	ポリイミド又は、ポリエステル又は、同等材 POLYIMIDE OR POLYESTER OR EQUAL	—
4	補強板 SUPPORTING TAPE	ポリエステル又は、ポリイミド又は、同等材 POLYIMIDE OR POLYESTER OR EQUAL	—

注記

1. 各部には、有害なバリのないこと。
2. 各部材は、通常の使用で剥離しないこと。

NOTE

1. NO BURR AT EACH PORTION
2. NO PEELING IN COMMON USE.

注記

1. 各部には、有害なバリのないこと。
2. 各部材は、通常の使用で剥離しないこと。
3. 各部材の総厚さ (粘着剤を含む) 範囲を規定する。

NOTE

1. NO BURR AT EACH PORTION
2. NO PEELING IN COMMON USE.
3. TOTAL THICKNESS LIMIT OF EACH MATERIAL (INCLUDING ADHESIVE AGENT) IS SPECIFIED.

mat'l. code				surface ISO 1302 ✓		tolerance ISO 406 ISO 1101		projection		product family 58CF/DF		CODE JP	
lir description ecn no dr date				tolerances unless otherwise specified		± 0.05		mm		title 推奨導体 RECOMMENDED CABLE			
A RELEASED J00527 T.H '00-7-28				angles linear				scale X		dwg no sheet 3 of size 62684 A3			
B REVISED J04-0276 H.T '04/8/26								FCJ		type Product Customer Drawing			
C Changed Logo J06-0429 H.T 10/18/'06										Rev. E			
D Corrected writing error J08-0482 H.T 2008-12-10				dr		M.YAHASHITA 2009-4-9							
E Added tolerance J09-0140 M.Y 2009-4-9				enr		M.YAHASHITA 2009-4-9							
				chr		S. Anderson 2009-4-9							
				appd		S. Anderson 2009-4-9							
sheet index		revision sheet											



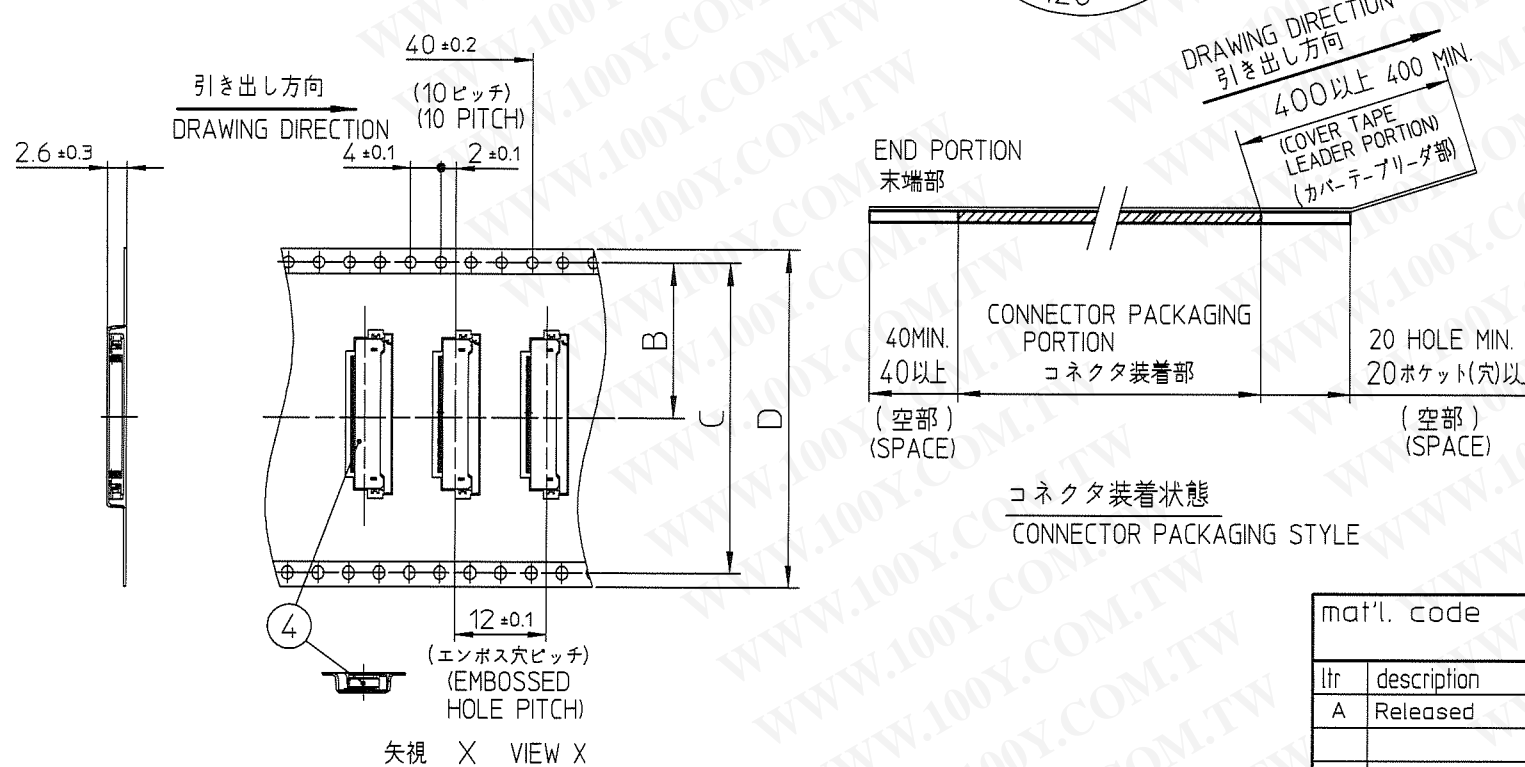
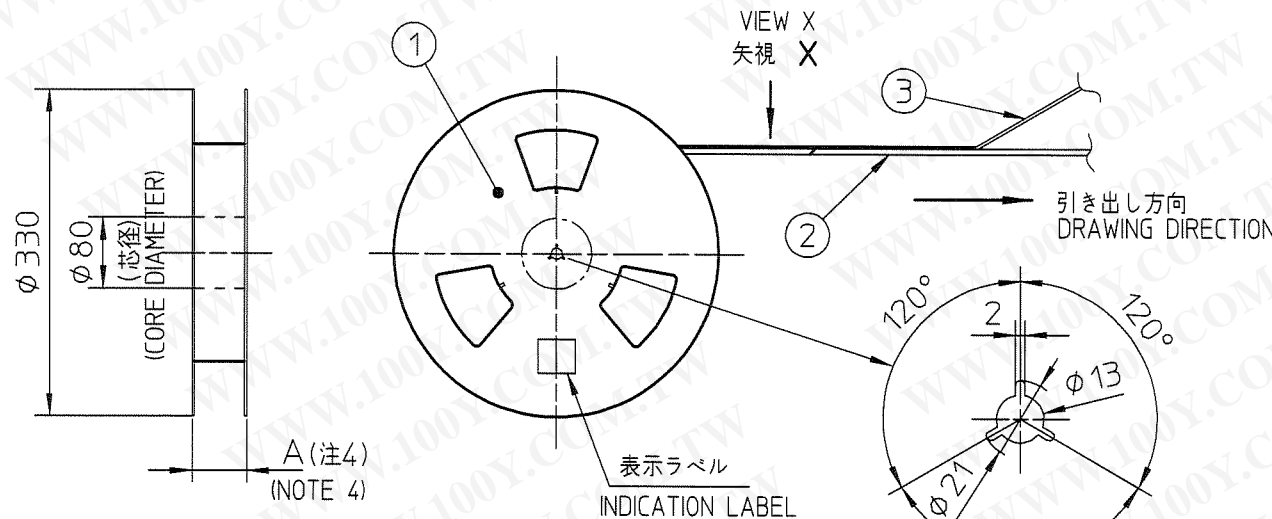
部品表 PARTS LIST

部番 PT NO	品名 PARTS NAME	型番 CAT. NO.	材質 MATERIAL	数量 Q'TY	記事 NOTE
1	リール REEL	—	硬質紙 CARDBOARD	1	色:白 COLOR: WHITE
2	プラスチック (エンボス)テープ PLASTIC (EMBOSS) TAPE	—	PET樹脂 A-PET	—	色:透明 COLOR: TRANSPARENCY
3	カバーテープ COVER	—	ポリエステル POLYESTER	—	色:透明 COLOR: TRANSPARENCY
4	コネクタ CONNECTOR	62684-__110	SHEET NO.5 参照 SEE SHEET NO.5.	2000	

製品の種類 CAT. NO. & DIMENSIONS

極数 NO. OF CONTACTS (n)	型番 CAT. NO.	寸法 DIMENSIONS			
		A ± 5	B ± 0.1	C ± 0.1	D ± 0.3
38	62684-381100	48.4	20.2	40.4	44
40	62684-401100	48.4	20.2	40.4	44
45	62684-451100	48.4	20.2	40.4	44
50	62684-501100	48.4	20.2	40.4	44

	表面処理 SURFACE TREATMENT
62684-__1100	はんだめっき SOLDER PLATING



NOTE

1. THIS PRODUCT IS THE CONNECTOR USED FOR FPC/FFC AND COPEs WITH AUTOMATIC MOUNTING (SMT).
2. THIS CATALOG NO. INDICATES PLASTIC TAPE PACKAGED CONNECTOR.
3. SEE JIS C 0806 (PACKING OF ELECTRONIC COMPONENTS ON CONTINUOUS TAPES (SURFACE MOUNTING DEVICES)) FOR SHAPE AND DIMENSIONS OF PLASTIC (EMBOSS) TAPE AND REEL.
4. A DIMENSION IS PORTION OF THE CORE.

注記

1. 本製品は、自動実装(SMT)対応 FPC/FFC用コネクタである。
2. 本型番は、プラスチックテープ梱包品を示す。
3. プラスチック(エンボス)テープ及びリール形状寸法は、JIS C 0806 (電子部品のテーピング(表面実装部品))に準ずる。
4. A寸法は、芯径部(コア部)の寸法を示す。

mat'l. code				surface		tolerance		projection		product family		CODE
l/r	description	ecn no	dr	date	ISO 1302	ISO 406	ISO 1101	ISO 1101		58CF		JP
A	Released	J00527	T.H	7/31/00	tolerances unless otherwise specified		±5		0.5mmピッチ FPC/FFC用 SMTタイプコネクタ プラスチック梱包品			
E	REVISED	J04-0353	H.T	10/6/04	angles	linear	±5'		PLASTIC TAPE PACKAGED 0.5mm CONTACT SPACING CONNECTOR			
F	CHANGED CAT.NO.	J04-0432	H.T	12/1/04	dr	2008-12-10		scale X		dwg no sheet 4 of		
G	ADDED THIN Sn PLATING	J05-0801	H.T	11/25/05	engr	2008-12-10		FCJ		62684 A3		
H	Deleted B and Z type	J06-0429	H.T	10/18/06	chr	2008-12-10		type		Product Customer Drawing		
J	Corrected writing error	J08-0482	H.T	2008-12-10	appd	2008-12-10		Rev.		J		
sheet index	revision sheet											

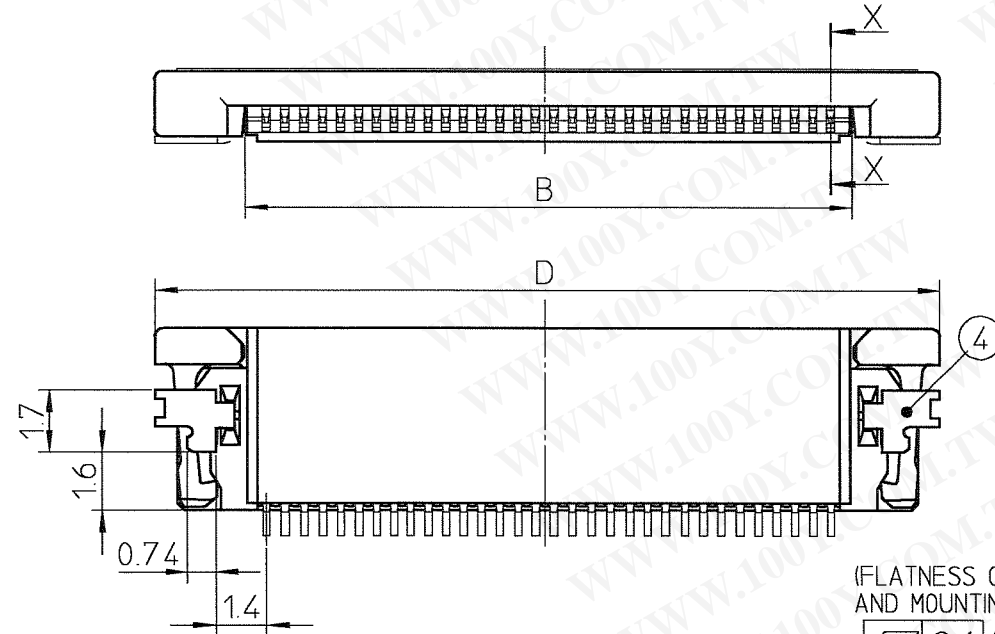
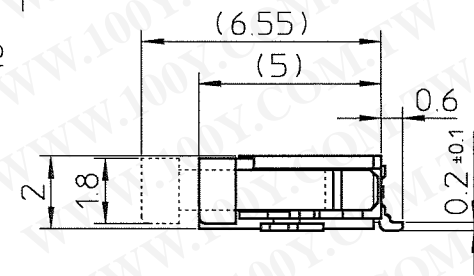
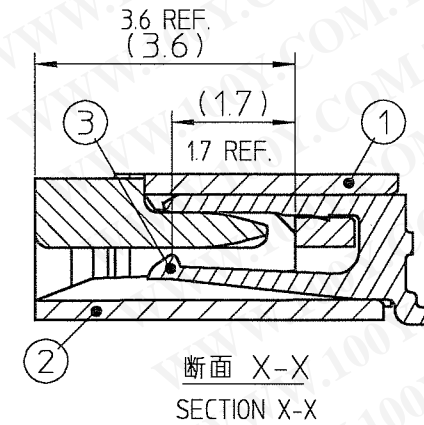
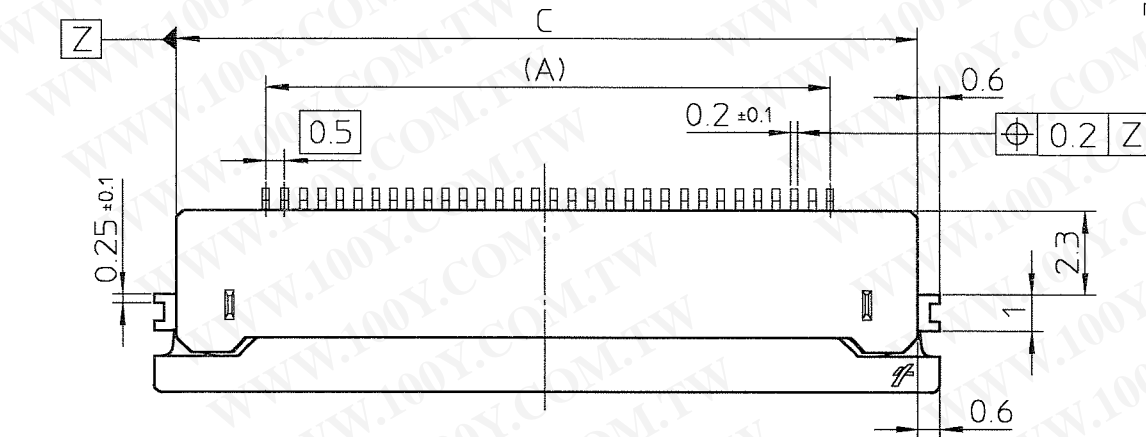
部品表 PARTS LIST

部番 PT NO.	品名 PARTS NAME	材質 MATERIAL	記事 NOTE
		62684-__110	
1	ハウジング HOUSING	ガラス繊維入耐熱性樹脂 (UL94V-0) GLASS FILLED THERMOPLASTIC (UL94V-0)	色: ベージュ COLOR: BEIGE
2	スライダー SLIDER	ガラス繊維入耐熱性樹脂 (UL94V-0) GLASS FILLED THERMOPLASTIC (UL94V-0)	色: 黒 COLOR: BLACK
3	コンタクト CONTACT	りん青銅 : はんだめっき PHOSPHOR BRONZE : SOLDER PLATING	
4	金具 MOUNTING PLATE	黄銅 : はんだめっき BRASS : SOLDER PLATING	

製品の種類 CAT. NO. & DIMENSIONS

極数 NO. OF CONTACTS (n)	型番 CAT. NO.	寸法 DIMENSIONS			
		A	B	C	D
38	62684-38110	18.5	19.65	23.3	24.5
40	62684-40110	19.5	20.65	24.3	25.5
45	62684-45110	22	23.15	26.8	28
50	62684-50110	24.5	25.65	29.3	30.5

□ : 極数  
n : NO. OF CONTACTS



(FLATNESS OF CONTACT TERMINAL AND MOUNTING PLATE)  
0.1 (ターミナル、金具の平面度)

注記

1. 本製品は、自動実装 (SMT) 対応 FPC、FFC 用コネクタである。
2. プラスチック (エンボス) テープ梱包品 及びその型番は SHEET No.4 に示す。
3. 推奨基板パターン寸法、適用導体は SHEET No.3 に示す。

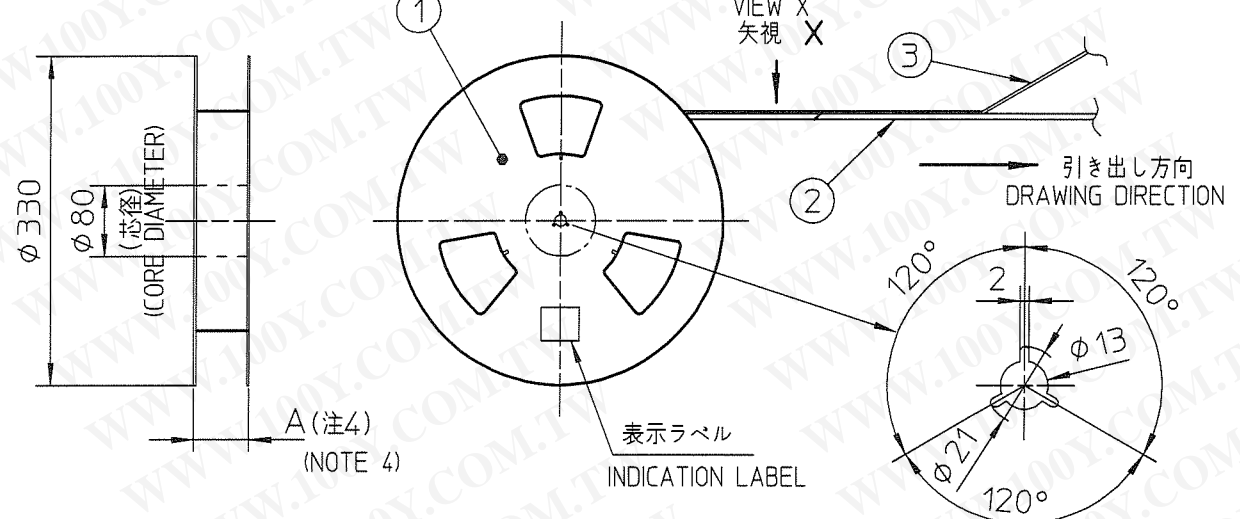
NOTE

1. THIS PRODUCT IS THE CONNECTOR USED FOR FPC/FFC AND COPE WITH AUTOMATIC MOUNTING (SMT).
2. SEE SHEET No.4 REGARDING PLASTIC TAPE PACKAGED PRODUCT.
3. SEE SHEET No.3 REGARDING RECOMMENDED PC BOARD LAYOUT AND CABLE.

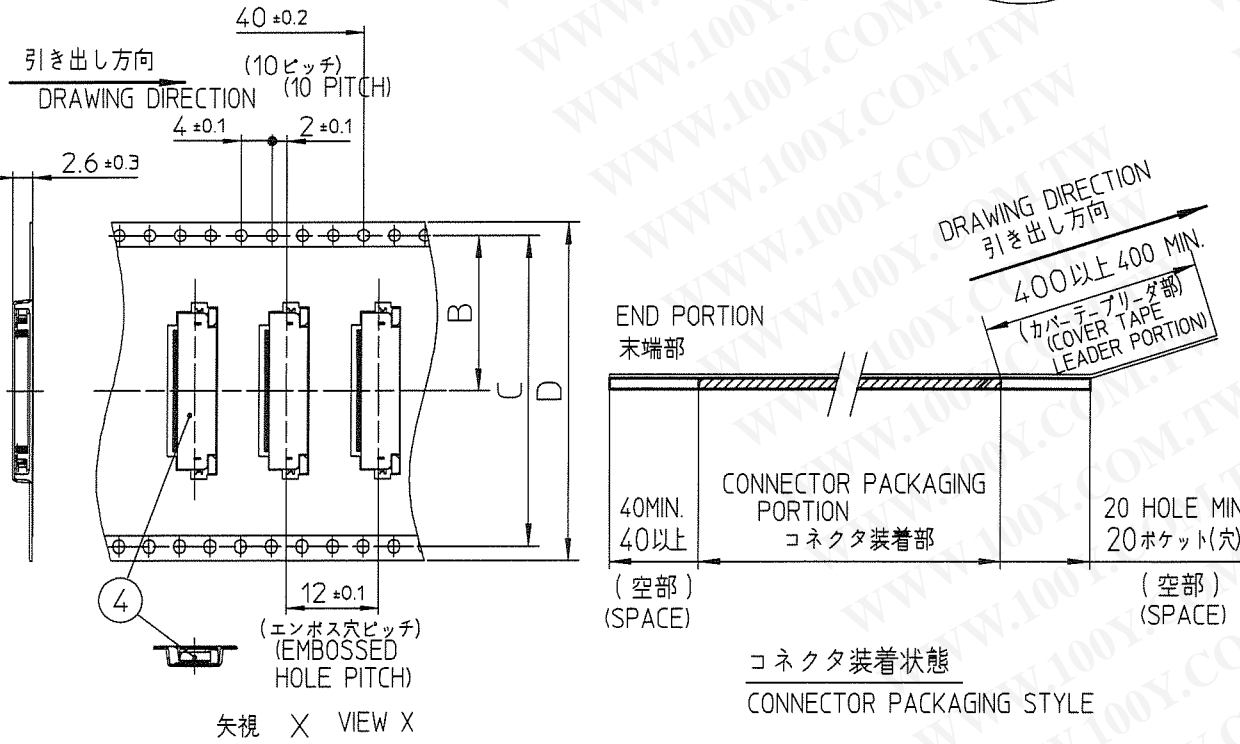
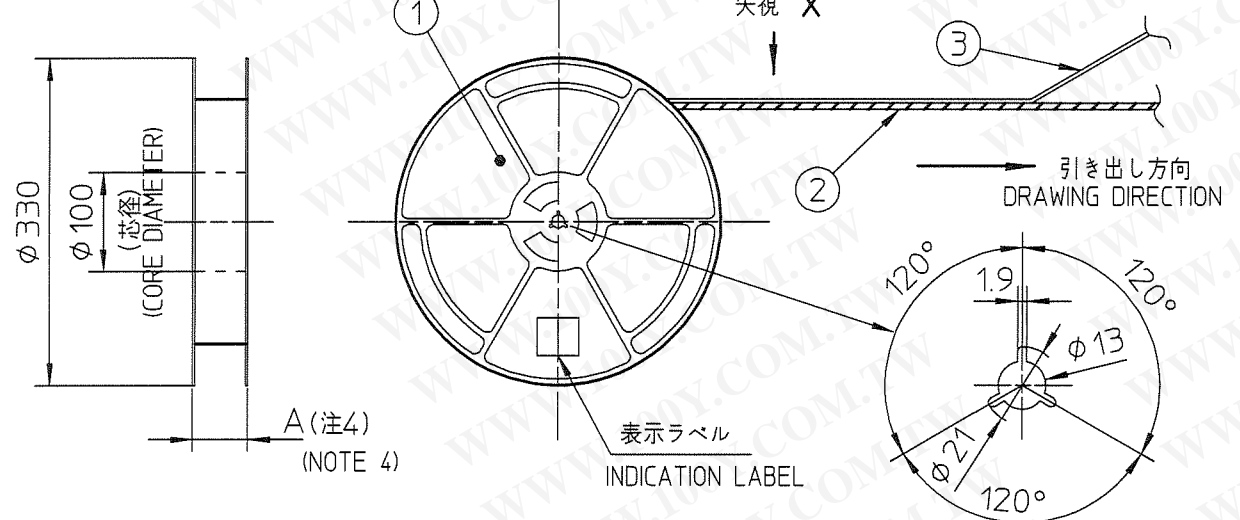
mat'l. code				surface ISO 1302 ✓	tolerance ISO 406 ISO 1101	projection ⊕	product family 58CF	CODE JP
ltr	description	ecn no	dr	date	tolerances unless otherwise specified		title	
C	REVISED	J04-0276	H.T	'04/8/26	angles	±0.3	0.5mm ピッチ FPC/FFC 用コネクタ	
D	REVISED	J04-0353	H.T	'04/10/6	linear		0.5mm CONTACT SPACING CONNECTOR	
E	CHANGED CAT. NO.	J04-0432	H.T	'04/12/1			scale X	
F	ADDED THIN Sn PLATING	J05-0801	H.T	11/25/05	dr	<i>H. Hoshino</i>	10/8/06	
G	Deleted B and Z type	J06-0429	H.T	10/18/06	enrg	<i>R. Brown</i>	10/18/06	
					appd	<i>S. Anderson</i>	10/18/06	
sheet index	revision sheet						dwg no 62684	sheet 5 of A3
							type Product Customer Drawing	Rev. G



紙リール  
PAPER REEL



プラスチックリール  
PLASTIC REEL



CAT. NO.	表面処理 SURFACE TREATMENT	その他 OTHER	リール REEL
62684-__21_0ALF	金めっき GOLD PLATING	—	紙リール PAPER REEL
62684-__21_0AHLF	金めっき GOLD PLATING	ハロゲンフリー HALOGEN FREE	紙リール PAPER REEL
62684-__21_1AHLF	金めっき GOLD PLATING	ハロゲンフリー HALOGEN FREE	プラスチックリール PLASTIC REEL

製品の種類 (紙リール)  
CAT. NO. & DIMENSIONS (PAPER REEL)

極数 NO. OF CONTACTS (n)	型番 CAT. NO.	寸法 DIMENSIONS			
		A ± 5	B ± 0.1	C ± 0.1	D ± 0.3
32	62684-322100ALF	48.4	20.2	40.4	44
34	62684-342100ALF	48.4	20.2	40.4	44
36	62684-362100ALF	48.4	20.2	40.4	44
40	62684-402100ALF	48.4	20.2	40.4	44
43	62684-432100ALF	48.4	20.2	40.4	44
45	62684-452100ALF	48.4	20.2	40.4	44
50	62684-502100ALF	48.4	20.2	40.4	44
55	62684-552100ALF	60.4	26.2	52.4	56
57	62684-572100ALF	60.4	26.2	52.4	56
40	62684-402100AHLF	48.4	20.2	40.4	44
45	62684-452100AHLF	48.4	20.2	40.4	44
50	62684-502100AHLF	48.4	20.2	40.4	44

製品の種類 (プラスチックリール)  
CAT. NO. & DIMENSIONS (PLASTIC REEL)

極数 NO. OF CONTACTS (n)	型番 CAT. NO.	寸法 DIMENSIONS			
		A ± 5	B ± 0.1	C ± 0.1	D ± 0.3
40	62684-402121AHLF	48.4	20.2	40.4	44
45	62684-452121AHLF	48.4	20.2	40.4	44
50	62684-502121AHLF	48.4	20.2	40.4	44

部品表 PARTS LIST

部番 PT NO	品名 PARTS NAME	型番 CAT. NO.	材質 MATERIAL	数量 Q'TY	記号 NOTE
1	リール REEL	—	硬質紙 CARDBOARD	1	色:白 COLOR: WHITE
			ポリスチレン POLYSTYREN	1	色:白 or 黒 COLOR: WHITE or BLACK
2	プラスチック(エンボス)テープ PLASTIC (EMBOSS) TAPE	—	PET樹脂 A-PET	—	色:透明 COLOR: TRANSPARENCY
3	カバーテープ COVER	—	ポリエステル POLYESTER	—	色:透明 COLOR: TRANSPARENCY
4	コネクタ CONNECTOR	62684-__21_A_LF	SHEET 7 参照 SEE SHEET 7	2000	

注記

1. 本製品は、自動実装 (SMT) 対応 FPC 用コネクタである。
2. 本型番は、プラスチックテープ梱包品を示す。
3. プラスチック (エンボス) テープ及びリール形状寸法は、JIS C 0806 (電子部品のテーピング (表面実装部品)) に準ずる。
4. A 寸法は、芯径部 (コア部) の寸法を示す。

NOTE

1. THIS PRODUCT IS THE CONNECTOR USED FOR FPC AND COPES WITH AUTOMATIC MOUNTING (SMT).
2. THIS CATALOG NO. INDICATES PLASTIC TAPE PACKAGED CONNECTOR
3. SEE JIS C 0806 (PACKING OF ELECTRONIC COMPONENTS ON CONTINUOUS TAPES (SURFACE MOUNTING DEVICES)) FOR SHAPE AND DIMENSIONS OF PLASTIC (EMBOSS) TAPE AND REEL.
4. A DIMENSION IS PORTION OF THE CORE.

mat'l. code		surface	tolerance	projection	product family	CODE
		ISO 1302 ✓	ISO 406 ISO 1101		58DF	JP
ltr	description	ecn no	dr	date	title	
C	CHANGED CAT.NO	J04-0432	H.T	12/11/04	0.5mmピッチ FPC用 SMTタイプコネクタ プラスチック梱包品	
D	ADDED CAT.NO.	J04-0456	H.T	12/15/04	PLASTIC TAPE PACKAGED	
E	ADDED 55 POS.	J05-0609	H.T	9/21/05	0.5mm CONTACT SPACING CONNECTOR	
F	Deleted D type and added 57 pos	J06-0429	H.T	10/18/06	dwg no	sheet 6 of
G	Added Halogen free	J08-0482	H.T	2008-12-10	62684	size
H	Added Cat. No.	J10-0178	M.Y	2010- 6-24	A3	
J	Added Cat. No.	J11-0246	S.W	2011-10-21	type	Product Customer Drawing
sheet index	revision sheet					Rev. J



Copyright FCI



部品表 PARTS LIST

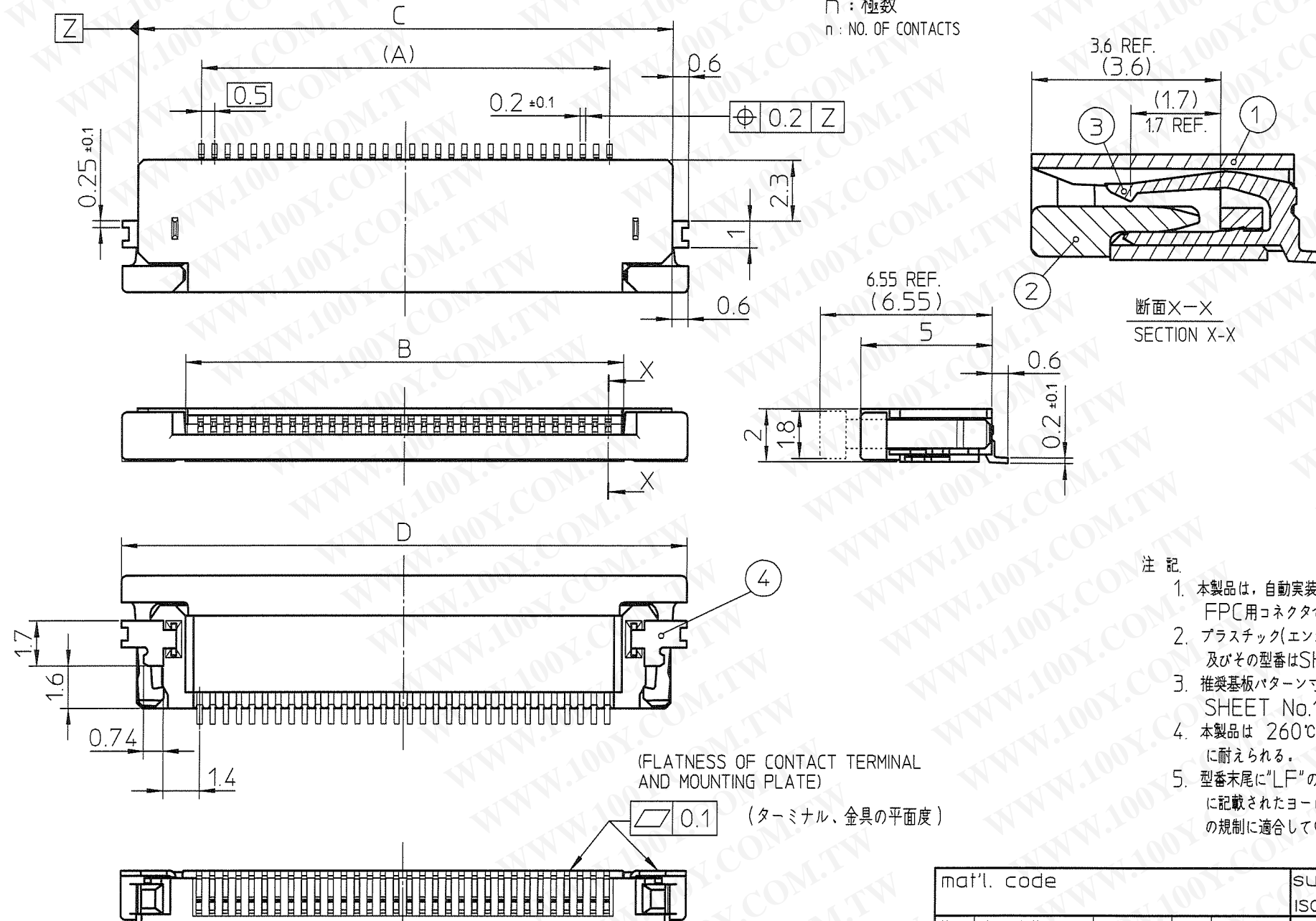
部番 PT NO.	品名 PARTS NAME	材質 MATERIAL		数量 QTY	記事 NOTE
		62684-__21_ALF	62684-__21_AHLF		
1	ハウジング HOUSING	ガラス繊維入耐熱性樹脂 (UL94V-0) GLASS FILLED THERMOPLASTIC (UL94V-0)	ガラス繊維入耐熱性樹脂 (UL94V-0)(ハロゲンフリー) GLASS FILLED THERMOPLASTIC (UL94V-0)(HALOGEN FREE)	1	色: ベージュ COLOR: BEIGE
2	スライダ SLIDER	ガラス繊維入耐熱性樹脂 (UL94V-0) GLASS FILLED THERMOPLASTIC (UL94V-0)	ガラス繊維入耐熱性樹脂 (UL94V-0)(ハロゲンフリー) GLASS FILLED THERMOPLASTIC (UL94V-0)(HALOGEN FREE)	1	色: 黒 COLOR: BLACK
3	コンタクト CONTACT	りん青銅: Ni下地 1.27 μmMIN. 金めっき 0.05 μmMIN. PHOSPHOR BRONZE: Ni UNDERPLATED 127 μmMIN. GOLD PLATING 0.05 μmMIN.		n	
4	金具 MOUNTING PLATE	黄銅: Ni下地 1.27 μmMIN. すずめっき 1 μmMIN. BRASS: Ni UNDERPLATED 127 μmMIN. TIN PLATING 1 μmMIN.		2	

表面処理 その他 SURFACE TREATMENT AND OTHER	
62684-__21_ALF	金めっき GOLD PLATING
62684-__21_AHLF	金めっき ハロゲンフリー GOLD PLATING HALOGEN FREE

製品の種類 CAT. NO. & DIMENSIONS

極数 NO. OF CONTACTS (n)	型番 CAT. NO.	寸法 DIMENSIONS				ハウジング材質 HOUSING MATERIAL
		A	B	C	D	
32	62684-32210ALF	15.5	16.65	20.3	21.5	PA9T
34	62684-34210ALF	16.5	17.65	21.3	22.5	
36	62684-36210ALF	17.5	18.65	22.3	23.5	
40	62684-40210ALF	19.5	20.65	24.3	25.5	
43	62684-43210ALF	21	22.15	25.8	27	
45	62684-45210ALF	22	23.15	26.8	28	
50	62684-50210ALF	24.5	25.65	29.3	30.5	LCP
55	62684-5521NALF	27	28.15	31.8	33	
57	62684-5721NALF	28	29.15	32.8	34	
40	62684-40210AHLF	19.5	20.65	24.3	25.5	
45	62684-45210AHLF	22	23.15	26.8	28	
50	62684-50210AHLF	24.5	25.65	29.3	30.5	
40	62684-40212AHLF	19.5	20.65	24.3	25.5	
45	62684-45212AHLF	22	23.15	26.8	28	
50	62684-50212AHLF	24.5	25.65	29.3	30.5	

n: 極数  
n: NO. OF CONTACTS



注記

1. 本製品は、自動実装 (SMT) 対応 FPC用コネクタである。
2. プラスチック (エンボス) テープ梱包品 及びその型番は SHEET No.6 に示す。
3. 推奨基板パターン寸法、適用導体は SHEET No.10 に示す。
4. 本製品は 260°C ピーク10秒のリフローに耐えられる。
5. 型番末尾に "LF" の付く製品は、GS-22-008 に記載されたヨーロッパ指令と他国の規制に適合している。

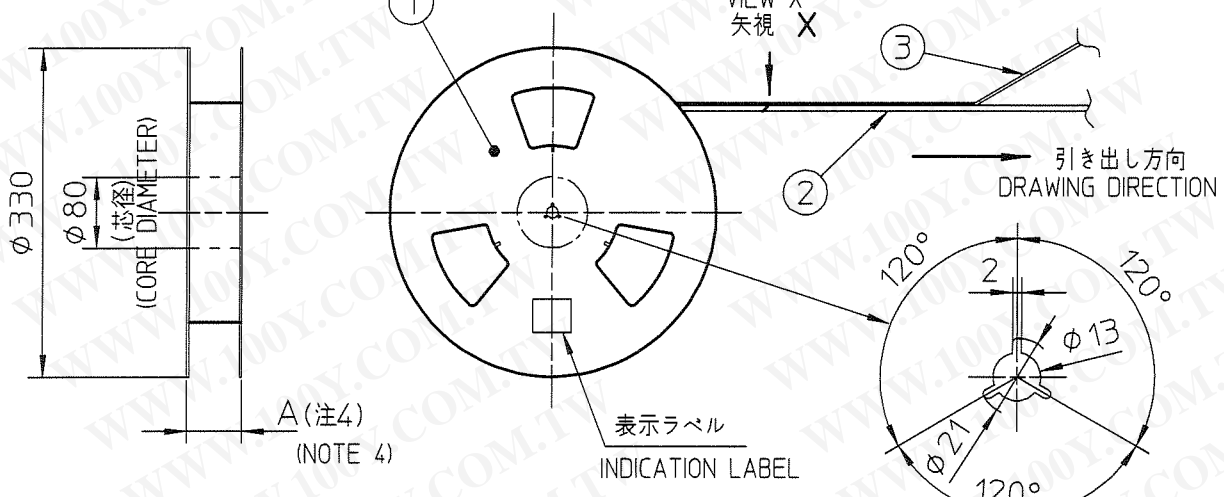
NOTE

1. THIS PRODUCT IS THE CONNECTOR USED FOR FPC AND COPEs WITH AUTOMATIC MOUNTING (SMT).
2. SEE SHEET No.6 REGARDING PLASTIC TAPE PACKAGED PRODUCT.
3. SEE SHEET No.10 REGARDING RECOMMENDED PC BOARD LAYOUT AND CABLE.
4. THE HOUSING WILL WITHSTAND EXPOSURE TO 260°C PEAK TEMPERATURE FOR 10SECONDS IN A REFLOW SOLDERING OVEN.
5. THE PRODUCT THAT THE END HAS "LF" MEETS EUROPEAN DIRECTIVES AND OTHER COUNTRY REGULATIONS AS DESCRIBED IN GS-22-008.

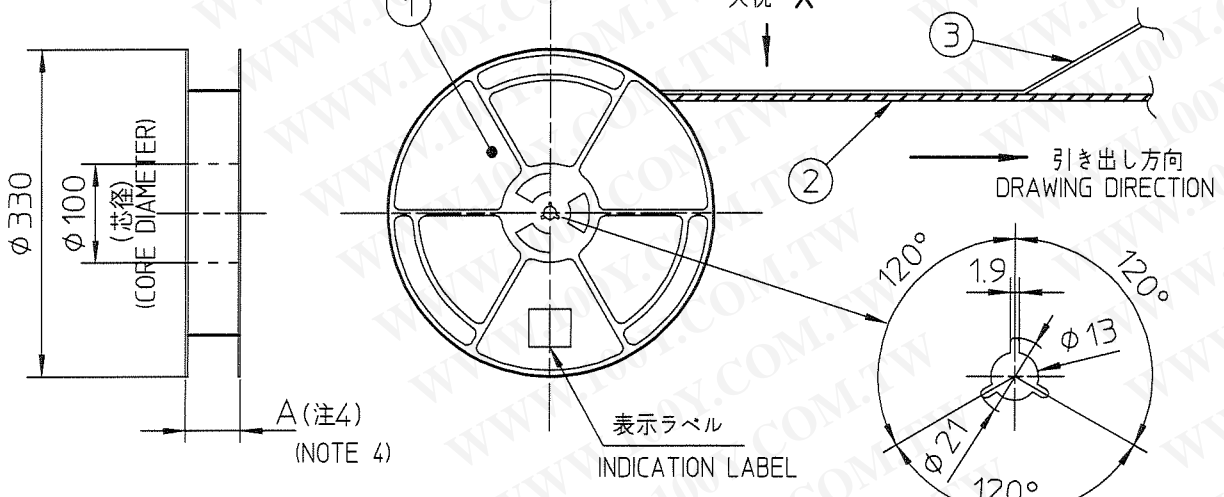
mat'l. code		surface ISO 1302 ✓		tolerance ISO 406 ISO 1101		projection		product family 58DF		CODE JP	
lfr	description	ecn no	dr	date	tolerances unless otherwise specified		mm	title			
A	Released	J04-0276	H.T	8/26/04	angles	linear		±0.3	0.5mmピッチFPC/FFC用コネクタ 0.5mm CONTACT SPACING CONNECTOR		
J	Added Halogen free	J08-0482	H.T	2008-12-10			scale X	dwg no		sheet 7 of	size
K	Added Plating thickness	J09-0056	M.Y	2009-2-10	dr			62684		A3	
L	Added mounting plate plating	J09-0140	M.Y	2009-4-9	engr			type		Product	Drawing
M	Added Cat. No.	J10-0178	M.Y	2010-6-24	chr						
N	Added Cat. No.	J11-0246	S.W	2011-10-21	appd						
sheet index	revision sheet									Rev. N	



紙リール  
PAPER REEL



プラスチックリール  
PLASTIC REEL



CAT. NO.	表面処理 SURFACE TREATMENT	その他 OTHER	リール REEL
62684-__11_0ALF	金めっき GOLD PLATING	—	紙リール PAPER REEL
62684-__11_0AHLF	金めっき GOLD PLATING	ハロゲンフリー HALOGEN FREE	紙リール PAPER REEL
62684-__11_1AHLF	金めっき GOLD PLATING	ハロゲンフリー HALOGEN FREE	プラスチックリール PLASTIC REEL

製品の種類 (紙リール)  
CAT. NO. & DIMENSIONS (PAPER REEL)

極数 NO. OF CONTACTS (n)	型番 CAT. NO.	寸法 DIMENSIONS			
		A ± 5	B ± 0.1	C ± 0.1	D ± 0.3
32	62684-321100ALF	48.4	20.2	40.4	44
38	62684-381100ALF	48.4	20.2	40.4	44
40	62684-401100ALF	48.4	20.2	40.4	44
45	62684-451100ALF	48.4	20.2	40.4	44
50	62684-501100ALF	48.4	20.2	40.4	44
55	62684-5511N0ALF	60.4	26.2	52.4	56
57	62684-5711N0ALF	60.4	26.2	52.4	56
60	62684-6011N0ALF	60.4	26.2	52.4	56
45	62684-451100AHLF	48.4	20.2	40.4	44
50	62684-501100AHLF	48.4	20.2	40.4	44
55	62684-5511N0AHLF	60.4	26.2	52.4	56
57	62684-5711N0AHLF	60.4	26.2	52.4	56
60	62684-6011N0AHLF	60.4	26.2	52.4	56
45	62684-451140AHLF	48.4	20.2	40.4	44
50	62684-501140AHLF	48.4	20.2	40.4	44
55	62684-551150AHLF	60.4	26.2	52.4	56
57	62684-571150AHLF	60.4	26.2	52.4	56

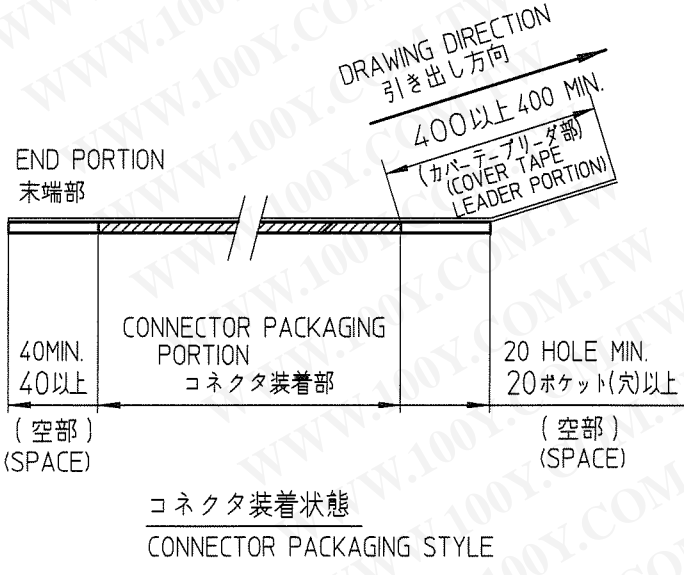
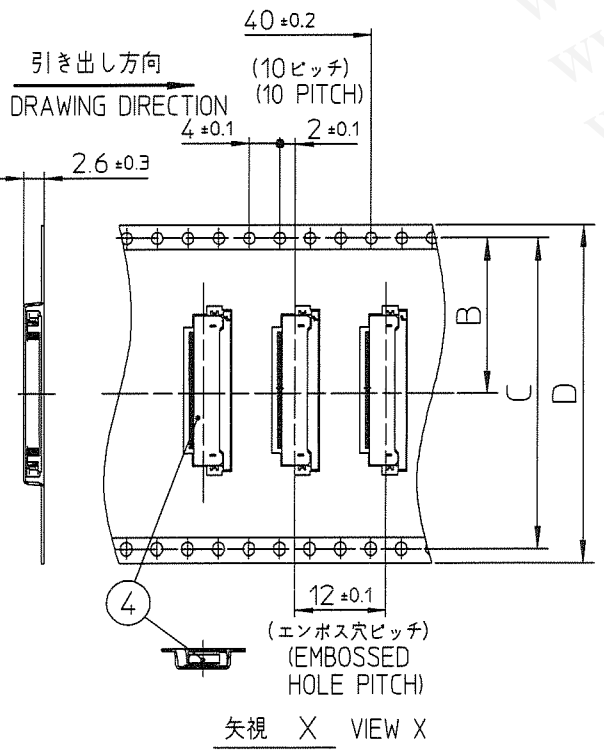
製品の種類 (プラスチックリール)  
CAT. NO. & DIMENSIONS (PLASTIC REEL)

極数 NO. OF CONTACTS (n)	型番 CAT. NO.	寸法 DIMENSIONS			
		A ± 5	B ± 0.1	C ± 0.1	D ± 0.3
45	62684-451141AHLF	48.4	20.2	40.4	44
50	62684-501141AHLF	48.4	20.2	40.4	44
55	62684-551151AHLF	60.4	26.2	52.4	56
57	62684-571151AHLF	60.4	26.2	52.4	56

- 注記
- 本製品は、自動実装 (SMT) 対応 FPC 用コネクタである。
  - 本型番は、プラスチックテープ梱包品を示す。
  - プラスチック (エンボス) テープ及びリール形状寸法は、JIS C 0806 (電子部品のテーピング (表面実装部品)) に準ずる。
  - A 寸法は、芯径部 (コア部) の寸法を示す。
- NOTE
- THIS PRODUCT IS THE CONNECTOR USED FOR FPC AND COPS WITH AUTOMATIC MOUNTING(SMT).
  - THIS CATALOG NO. INDICATES PLASTIC TAPE PACKAGED CONNECTOR
  - SEE JIS C 0806 (PACKING OF ELECTRONIC COMPONENTS ON CONTINUOUS TAPES (SURFACE MOUNTING DEVICES)) FOR SHAPE AND DIMENSIONS OF PLASTIC (EMBOSS) TAPE AND REEL.
  - A DIMENSION IS PORTION OF THE CORE.

部品表 PARTS LIST

部番 PT NO	品名 PARTS NAME	型番 CAT. NO.	材質 MATERIAL	数量 Q'TY	記事 NOTE
1	リール REEL	—	硬質紙 CARDBOARD	1	色: 白 COLOR: WHITE
			ポリスチレン POLYSTYREN	1	色: 白 or 黒 COLOR: WHITE or BLACK
2	プラスチック (エンボス) テープ PLASTIC (EMBOSS) TAPE	—	PET 樹脂 A-PET	—	色: 透明 COLOR: TRANSPARENCY
3	カバーテープ COVER	—	ポリエステル POLYESTER	—	色: 透明 COLOR: TRANSPARENCY
4	コネクタ CONNECTOR	62684-__11_A.LF	SHEET 9 参照 SEE SHEET 9	2000	



mat'l. code		surface ISO 1302		tolerance ISO 406 ISO 1101		projection		product family 58CF		CODE JP	
lfr	description	ecn no	dr	date	tolerances unless otherwise specified		mm	title			
A	RELEASED	J04-0276	H.T	8/26/04	angles	linear		0.5mmピッチ FPC/FFC用 SMTタイプコネクタ プラスチック梱包品			
G	Added Halogen free	J08-0482	H.T	2008-12-10	±5°		scale	PLASTIC TAPE PACKGED 0.5mm CONTACT SPACING CONNECTOR			
H	Added 32pos.	J09-0023	H.T	2009-1-19	dr	S. H. H. H. H.	FCJ	dwg no		sheet 8 of	
J	Added Cat. No.	J10-0178	M.Y	2010-6-24	enfr	S. H. H. H. H.		62684		size A3	
K	Added P/N No.	J11-0134	H.T	2011-6-10	chr	Y. H. H. H. H.		type		Product Customer Drawing	
L	Added 60pos.	J11-0270	S.W	2011-11-29	appd	M. H. H. H. H.				Rev. L	
sheet index	revision sheet										



Copyright FCI



部品表 PARTS LIST

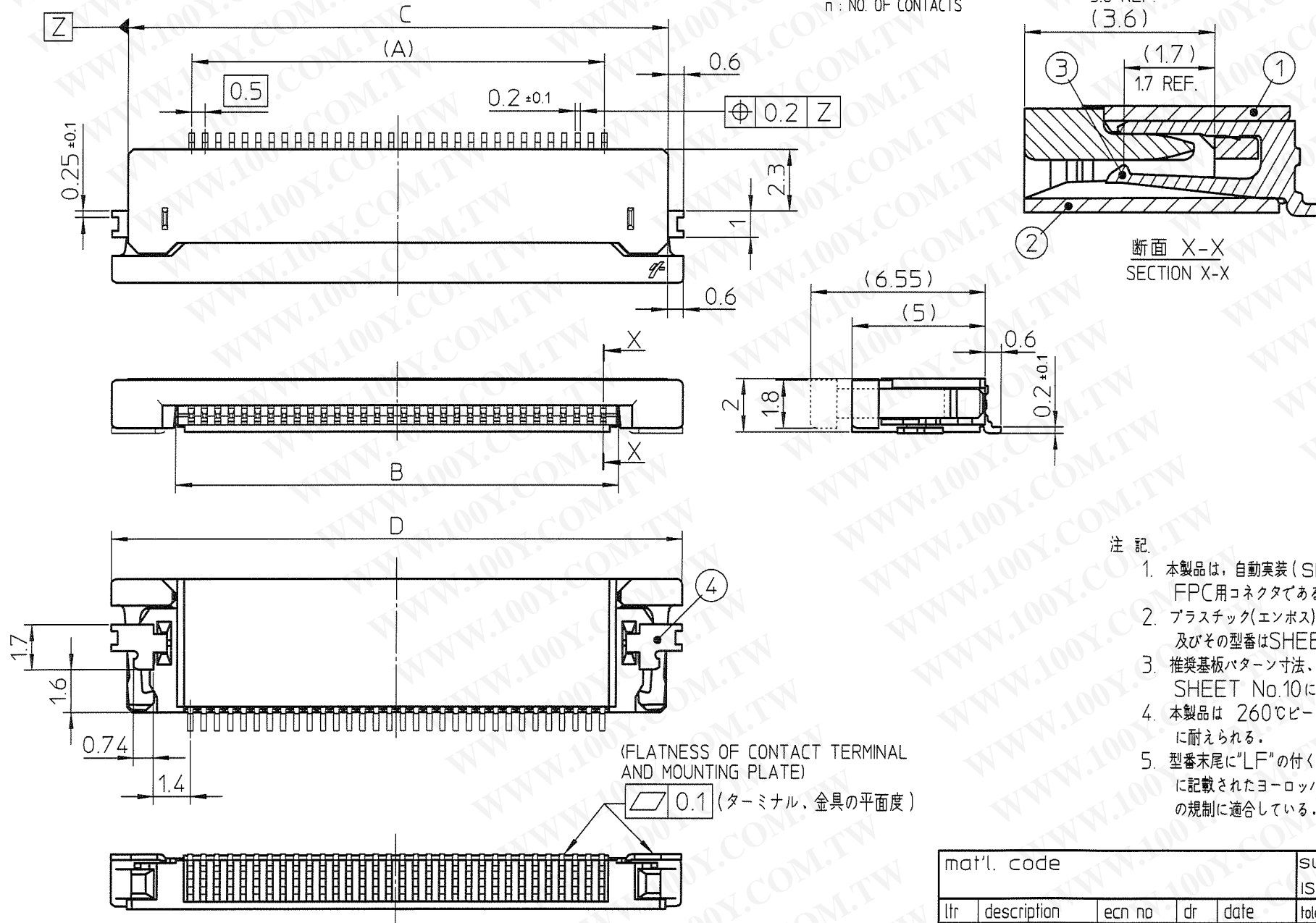
部番 PT NO.	品名 PARTS NAME	材 質 MATERIAL		数量 QTY	記事 NOTE
		62684-__11_0ALF	62684-__11_0AHLF		
1	ハウジング HOUSING	ガラス繊維入耐熱性樹脂 (UL94V-0) GLASS FILLED THERMOPLASTIC (UL94V-0)	ガラス繊維入耐熱性樹脂 (UL94V-0)(ハロゲンフリー) GLASS FILLED THERMOPLASTIC (UL94V-0)(HALOGEN FREE)	1	色: ベージュ COLOR: BEIGE
2	スライダー SLIDER	ガラス繊維入耐熱性樹脂 (UL94V-0) GLASS FILLED THERMOPLASTIC (UL94V-0)	ガラス繊維入耐熱性樹脂 (UL94V-0)(ハロゲンフリー) GLASS FILLED THERMOPLASTIC (UL94V-0)(HALOGEN FREE)	1	色: 黒 COLOR: BLACK
3	コンタクト CONTACT	りん青銅: Ni下地 1.27 μmMIN. 金めっき 0.05 μmMIN. PHOSPHOR BRONZE: Ni UNDERPLATED 1.27 μmMIN. GOLD PLATING 0.05 μmMIN.		n	
4	金具 MOUNTING PLATE	黄銅: Ni下地 1.27 μmMIN. すずめっき 1 μmMIN. BRASS: Ni UNDERPLATED 1.27 μmMIN. TIN PLATING 1 μmMIN.		2	

	表面処理 その他 SURFACE TREATMENT AND OTHER
62684-__11_ALF	金めっき GOLD PLATING
62684-__11_AHLF	金めっき ハロゲンフリー GOLD PLATING HALOGEN FREE

製品の種類 CAT. NO. & DIMENSIONS

極数 NO. OF CONTACTS (n)	型番 CAT. NO.	寸法 DIMENSIONS				ハウジング材質 HOUSING MATERIAL
		A	B	C	D	
32	62684-32110ALF	15.5	16.65	20.3	21.5	PA9T
38	62684-38110ALF	18.5	19.65	23.3	24.5	
40	62684-40110ALF	19.5	20.65	24.3	25.5	
45	62684-45110ALF	22	23.15	26.8	28	
50	62684-50110ALF	24.5	25.65	29.3	30.5	
55	62684-5511NALF	27	28.15	31.8	33	
57	62684-5711NALF	28	29.15	32.8	34	
60	62684-6011NALF	29.5	30.65	34.3	35.5	LCP
45	62684-45110AHLF	22	23.15	26.8	28	
50	62684-50110AHLF	24.5	25.65	29.3	30.5	
55	62684-5511NAHLF	27	28.15	31.8	33	
57	62684-5711NAHLF	28	29.15	32.8	34	
60	62684-6011NAHLF	29.5	30.65	34.3	35.5	
45	62684-45114AHLF	22	23.15	26.8	28	
50	62684-50114AHLF	24.5	25.65	29.3	30.5	
55	62684-55115AHLF	27	28.15	31.8	33	
57	62684-57115AHLF	28	29.15	32.8	34	

n: 極数  
n: NO. OF CONTACTS



注記

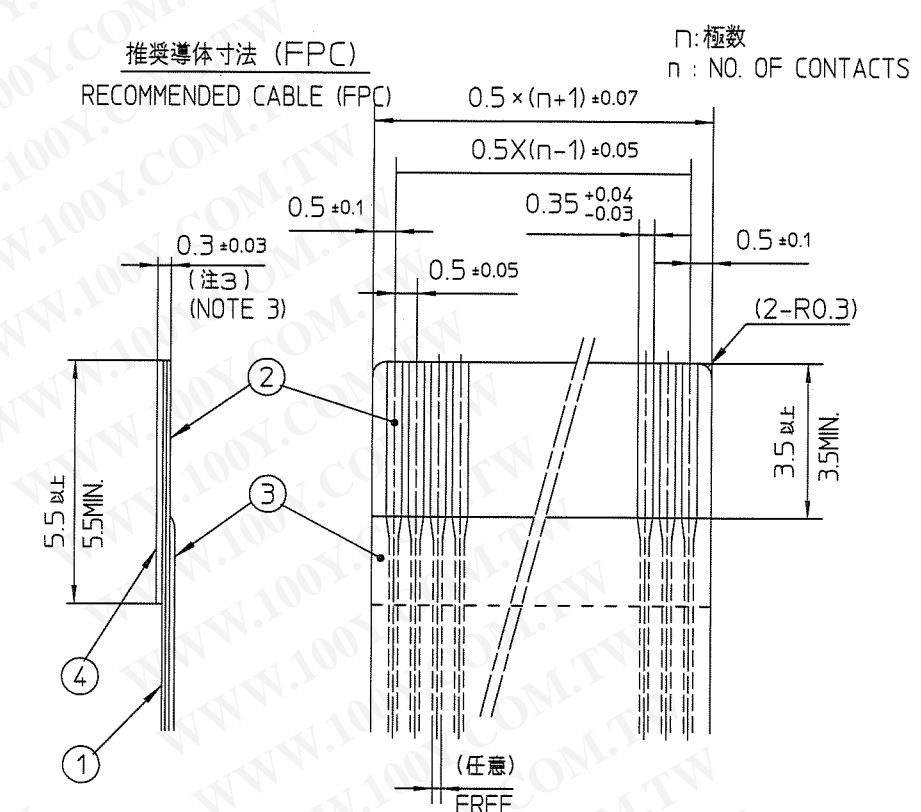
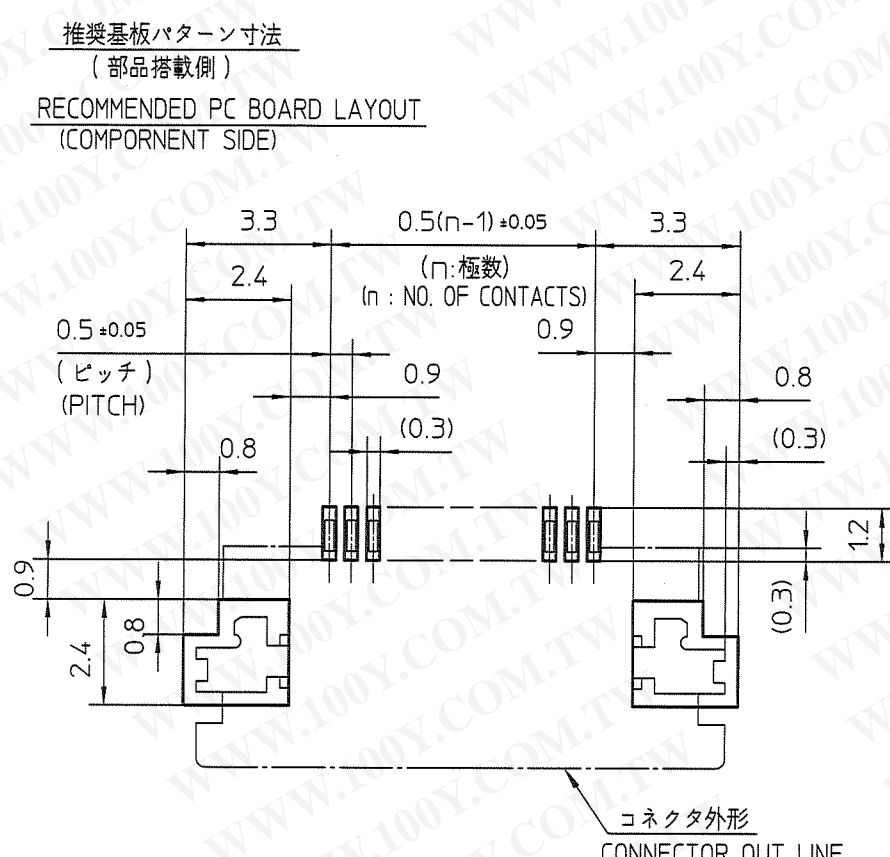
1. 本製品は、自動実装 (SMT) 対応 FPC用コネクタである。
2. プラスチック(エンボス)テープ梱包品 及びその型番はSHEET No.8に示す。
3. 推奨基板パターン寸法、適用導体は SHEET No.10に示す。
4. 本製品は 260℃ピーク10秒のリフローに耐えられる。
5. 型番末尾に"LF"の付く製品は、GS-22-008 に記載されたヨーロッパ連合指令と他国の規制に適合している。

NOTE

1. THIS PRODUCT IS THE CONNECTOR USED FOR FPC AND COPES WITH AUTOMATIC MOUNTING (SMT).
2. SEE SHEET No.8 REGARDING PLASTIC TAPE PACKAGED PRODUCT.
3. SEE SHEET No.10 REGARDING RECOMMENDED PC BOARD LAYOUT AND CABLE.
4. THE HOUSING WILL WITHSTAND EXPOSURE TO 260°C PEAK TEMPERATURE FOR 10 SECONDS IN A REFLOW SOLDERING OVEN.
5. THE PRODUCT THAT THE END HAS "LF" MEETS EUROPEAN DIRECTIVES AND OTHER COUNTRY REGULATIONS AS DESCRIBED IN GS-22-008.

mat'l. code				surface ISO 1302 ✓		tolerance ISO 406 ISO 1101		projection		product family 58CF		CODE JP	
l/r description ecn no dr date				tolerances unless otherwise specified		±0.3		mm		title		sheet 9 of	
A RELEASED J04-0276 H.T 8/26/04				angles linear				scale X		0.5mmピッチFPC/FFC用コネクタ		size A3	
H Added 32pos. J09-0023 H.T 2009-1-19								FCJ		0.5mm CONTACT SPACING CONNECTOR		62684	
J Added Plating thickness J09-0056 M.Y 2009-2-10				dr		2011-11-29				type Product Customer Drawing		Rev. M	
K Added mounting plate plating J09-0140 M.Y 2009-4-9				enrg		2011-11-29							
L Added Cat. No. J10-0178 M.Y 2010-6-24				chr		2011-11-29							
M Added 60pos. J11-0270 S.W 2011-11-29				appd		2011-11-29							
sheet index		revision sheet											





部番 PT NO.	品名 PARTS NAME	材質 MATERIAL	厚さ (μm) THICKNESS (μm)
1	ベースフィルム BASE FILM	ポリイミド又は、ポリエステル又は、同等材 POLYIMIDE OR POLYESTER OR EQUAL	25
2	導体 CONDUCTOR	銅箔 (金めっき) COPPER FOIL (GOLD PLATING)	35 又は 50 OR
3	オーバーレイ OVERLAY	ポリイミド又は、ポリエステル又は、同等材 POLYIMIDE OR POLYESTER OR EQUAL	—
4	補強板 SUPPORTING TAPE	ポリエステル又は、ポリイミド又は、同等材 POLYIMIDE OR POLYESTER OR EQUAL	—

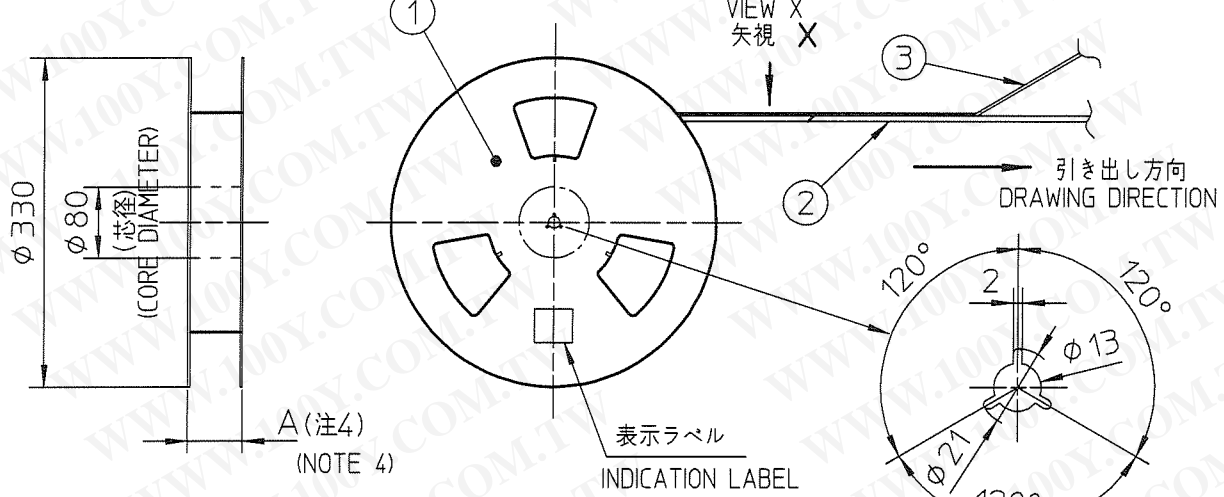
- 注記 NOTE
1. 各部には、有害なバリのないこと。 1.NO BURR AT EACH PORTION
  2. 各材料は、通常の使用で剥離しないこと。 2.NO PEELING IN COMMON USE.
  3. 各材料の総合厚さ(粘着剤を含む)範囲を規定する。 3.TOTAL THICKNESS LIMIT OF EACH MATERIAL (INCLUDING ADHESIVE AGENT) IS SPECIFIED.

mat'l. code				surface ISO 1302 ✓		tolerance ISO 406 ISO 1101		projection mm		product family 58CF/DF		CODE JP	
ltr	description	ecn no	dr	date	tolerances unless otherwise specified				title 推奨導体 RECOMMENDED CABLE				
A	RELEASED	J04-0276	H.T	8/26/04	angles	± 0.05		mm		dwg no 62684			
B	Changed Logo	J06-0429	H.T	10/18/06	linear			scale X		sheet 10 of 10			
C	Corrected writing error	J08-0482	H.T	2008-12-10							size A3		
D	Added tolerance	J09-0140	M.Y	2009-4-9	dr	M.YAMASHITA	2009-4-9			type Product Customer Drawing			
				enr	M.YAMASHITA	2009-4-9							
				chr	S. Watanabe	2009-4-9							
				appd	S. Watanabe	2009-4-9							
sheet index	revision sheet											Rev. D	

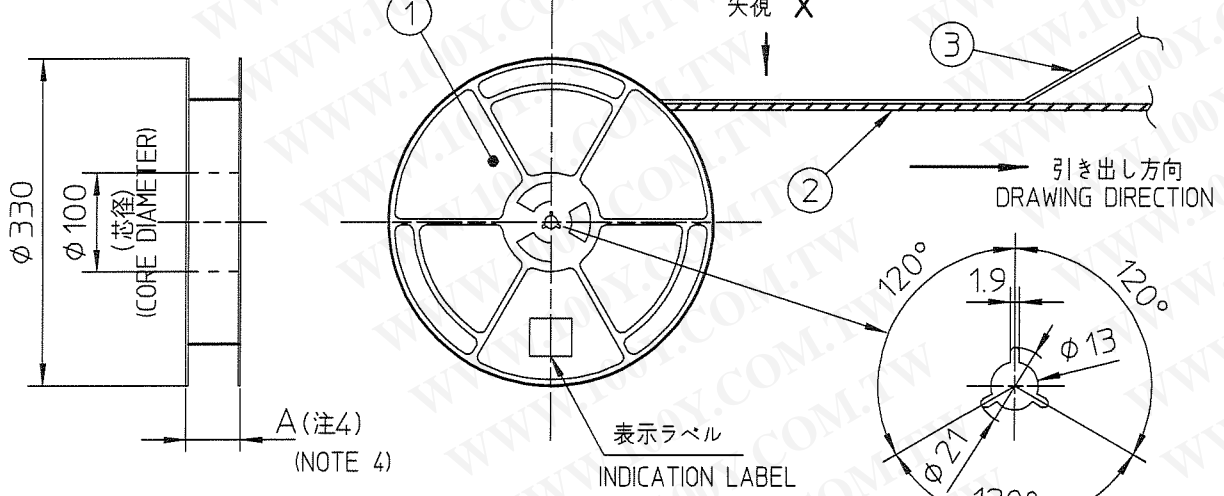


Copyright FCI

紙リール  
PAPER REEL



プラスチックリール  
PLASTIC REEL



CAT. NO.	表面処理 SURFACE TREATMENT	その他 OTHER	リール REEL
62684-__21_0ALF	金めっき GOLD PLATING	—	紙リール PAPER REEL
62684-__21_0AHLF	金めっき GOLD PLATING	ハロゲンフリー HALOGEN FREE	紙リール PAPER REEL
62684-__21_1AHLF	金めっき GOLD PLATING	ハロゲンフリー HALOGEN FREE	プラスチックリール PLASTIC REEL

製品の種類 (紙リール)  
CAT. NO. & DIMENSIONS (PAPER REEL)

極数 NO. OF CONTACTS (n)	型番 CAT. NO.	寸法 DIMENSIONS			
		A ± 5	B ± 0.1	C ± 0.1	D ± 0.3
45	62684-452160AHLF	48.4	20.2	40.4	44

Dual contact type

部品表 PARTS LIST

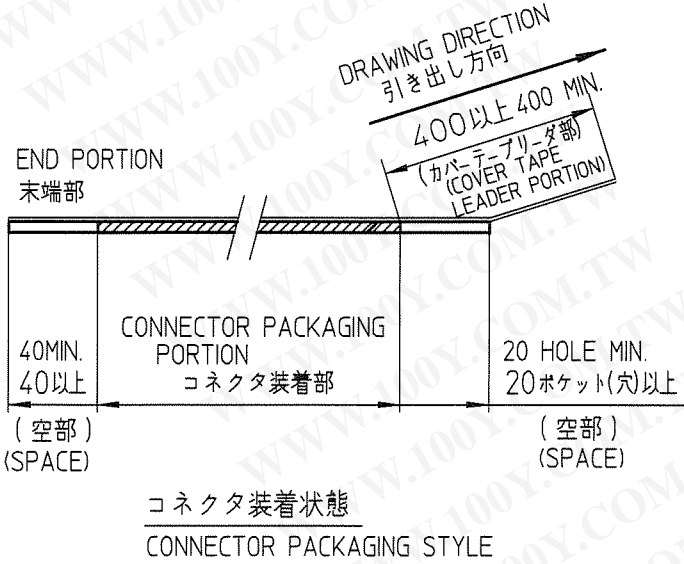
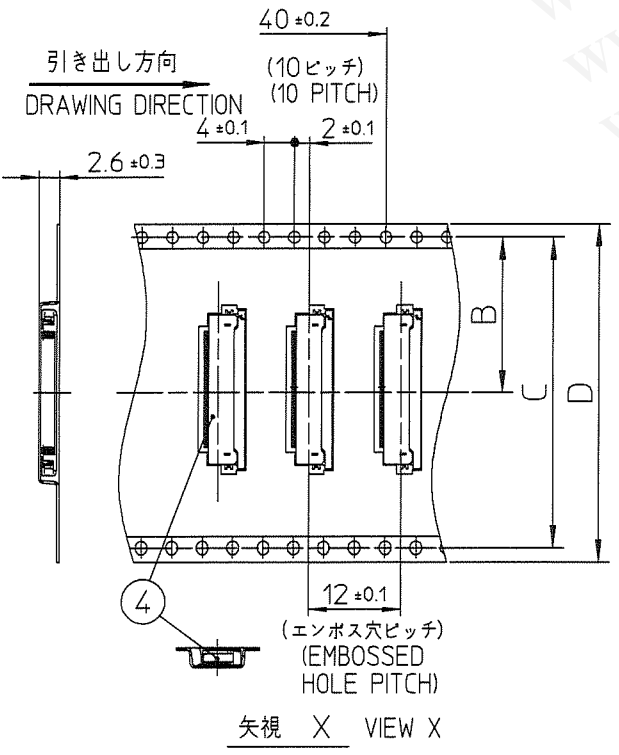
部番 PT NO.	品名 PARTS NAME	型番 CAT. NO.	材質 MATERIAL	数量 Q'TY	記事 NOTE
1	リール REEL	—	硬質紙 CARDBOARD	1	色: 白 COLOR: WHITE
			ポリスチレン POLYSTYREN	1	色: 白 or 黒 COLOR: WHITE or BLACK
2	プラスチック (エンボス) テープ PLASTIC (EMBOSS) TAPE	—	PET樹脂 A-PET	—	色: 透明 COLOR: TRANSPARENCY
3	カバーテープ COVER	—	ポリエステル POLYESTER	—	色: 透明 COLOR: TRANSPARENCY
4	コネクタ CONNECTOR	62684-__21_A_LF	SHEET 12 参照 SEE SHEET 12	2000	2点接点タイプ DUAL CONTACT TYPE

注記

- 本製品は、自動実装 (SMT) 対応FPC用コネクタで2点接点である。
- 本型番は、プラスチックテープ梱包品を示す。
- プラスチック (エンボス) テープ及びリール形状寸法は、JIS C 0806 (電子部品のテーピング (表面実装部品)) に準ずる。
- A寸法は、芯径部 (コア部) の寸法を示す。

NOTE

- THIS PRODUCT IS THE CONNECTOR USED FOR FPC AND COPES WITH AUTOMATIC MOUNTING(SMT) AND DUAL CONTACT.
- THIS CATALOG NO. INDICATES PLASTIC TAPE PACKAGED CONNECTOR
- SEE JIS C 0806 (PACKING OF ELECTRONIC COMPONENTS ON CONTINUOUS TAPES (SURFACE MOUNTING DEVICES)) FOR SHAPE AND DIMENSIONS OF PLASTIC (EMBOSS) TAPE AND REEL.
- A DIMENSION IS PORTION OF THE CORE.



mat'l. code				surface		tolerance		projection	product family	CODE
l/r	description	ecn no	dr	date	ISO 1302	ISO 406	ISO 1101	Symbol	58DF	JP
A	Released	J11-0249	M.Y.	2011-11-04	tolerances unless otherwise specified			Symbol	title	
					angles	linear	±5	Symbol	0.5mmピッチ FPC用 SMTタイプコネクタ プラスチック梱包品	
					±5°			scale	PLASTIC TAPE PACKAGED	
					dr	M.Yokoshima	2011-11-04	FCJ	0.5mm CONTACT SPACING CONNECTOR	
					engr	M.Yokoshima	2011-11-04		dwg no	
					chr	S. M. ...	2011-11-04		sheet 11af	
					appd	M. ...	11/4/11		size	
sheet index		revision sheet						type		Product Customer Drawing
										Rev. A



Copyright FCI



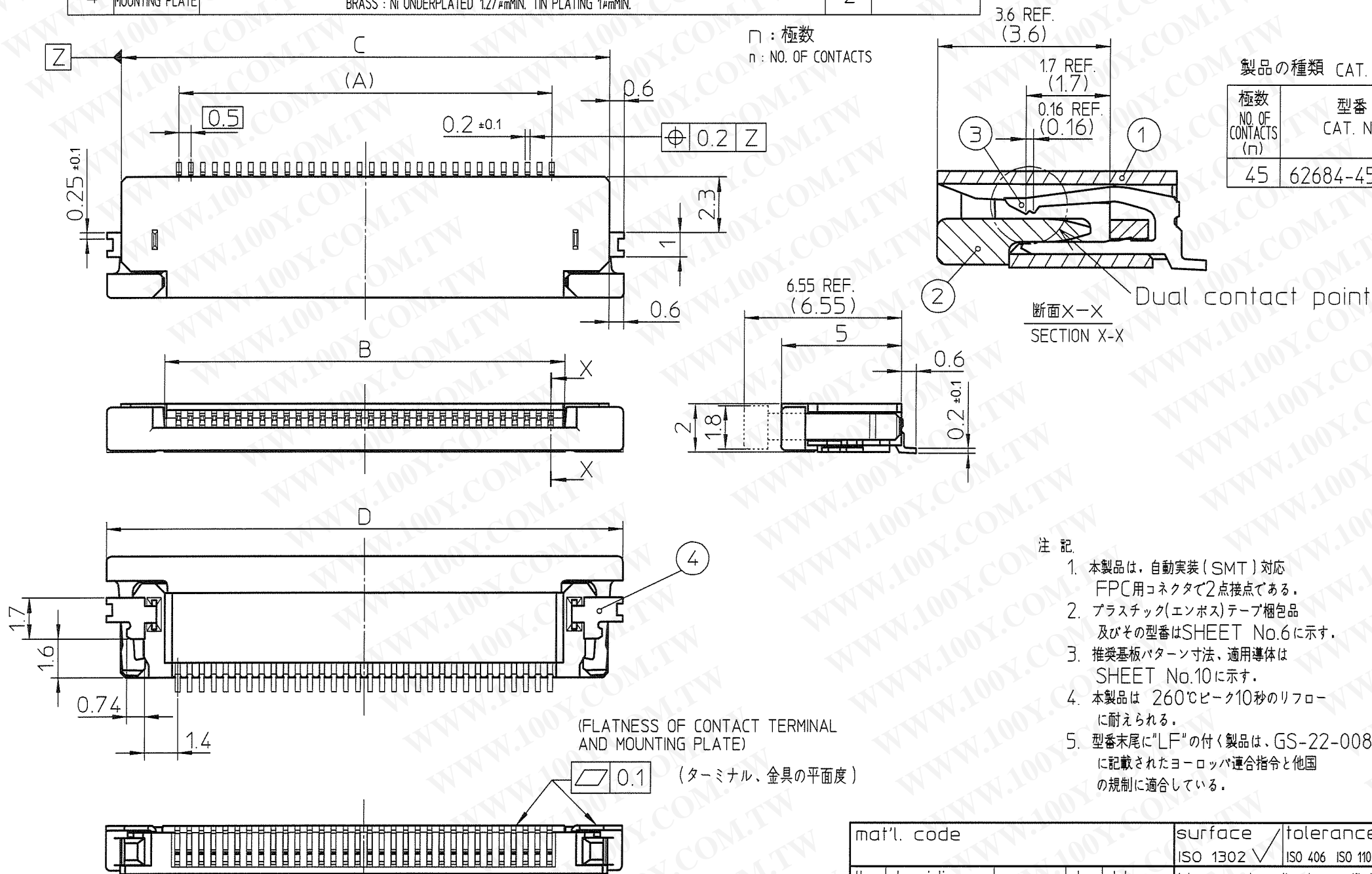
部品表 PARTS LIST

部番 PT NO.	品名 PARTS NAME	材 質 MATERIAL		数量 Q'TY	記事 NOTE
		62684-__21_ALF	62684-__21_AHLF		
1	ハウジング HOUSING	ガラス繊維入耐熱性樹脂 (UL94V-0) GLASS FILLED THERMOPLASTIC (UL94V-0)	ガラス繊維入耐熱性樹脂 (UL94V-0)(ハロゲンフリー) GLASS FILLED THERMOPLASTIC (UL94V-0)(HALOGEN FREE)	1	色: ベージュ COLOR: BEIGE
2	スライダー SLIDER	ガラス繊維入耐熱性樹脂 (UL94V-0) GLASS FILLED THERMOPLASTIC (UL94V-0)	ガラス繊維入耐熱性樹脂 (UL94V-0)(ハロゲンフリー) GLASS FILLED THERMOPLASTIC (UL94V-0)(HALOGEN FREE)	1	色: 黒 COLOR: BLACK
3	コンタクト CONTACT	りん青銅: Ni下地 1.27µmMIN. 金めっき 0.05µmMIN. PHOSPHOR BRONZE: Ni UNDERPLATED 1.27µmMIN. GOLD PLATING 0.05µmMIN.		n	2点接点 DUAL CONTACT
4	金具 MOUNTING PLATE	黄銅: Ni下地 1.27µmMIN. すずめっき 1µmMIN. BRASS: Ni UNDERPLATED 1.27µmMIN. TIN PLATING 1µmMIN.		2	

表面処理 その他 SURFACE TREATMENT AND OTHER	
62684-__21_ALF	金めっき GOLD PLATING
62684-__21_AHLF	金めっき ハロゲンフリー GOLD PLATING HALOGEN FREE

製品の種類 CAT. NO. & DIMENSIONS

極数 NO. OF CONTACTS (n)	型番 CAT. NO.	寸法 DIMENSIONS				ハウジング材質 HOUSING MATERIAL
		A	B	C	D	
45	62684-45216AHLF	22	23.15	26.8	28	LCP



n: 極数  
n: NO. OF CONTACTS

注 記

1. 本製品は、自動実装 (SMT) 対応 FPC用コネクタで2点接点である。
2. プラスチック(エンボス)テープ梱包品 及びその型番はSHEET No.6に示す。
3. 推奨基板パターン寸法、適用導体は SHEET No.10に示す。
4. 本製品は 260℃ピーク10秒のリフローに耐えられる。
5. 型番末尾に"LF"の付く製品は、GS-22-008に記載されたヨーロッパ指令と他国の規制に適合している。

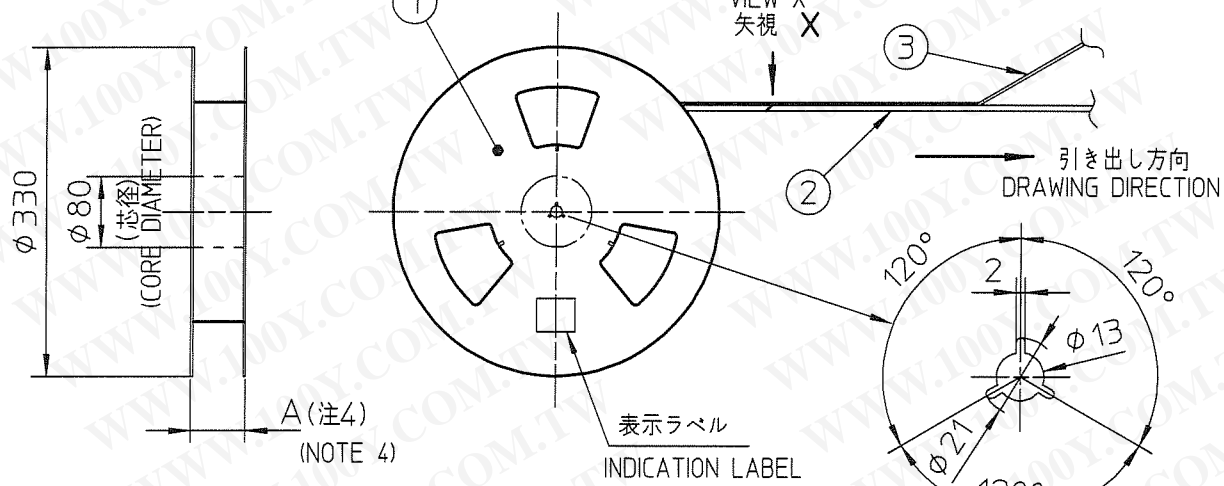
NOTE

1. THIS PRODUCT IS THE CONNECTOR USED FOR FPC AND COPES WITH AUTOMATIC MOUNTING (SMT) AND DUAL CONTACT.
2. SEE SHEET No.6 REGARDING PLASTIC TAPE PACKAGED PRODUCT.
3. SEE SHEET No.10 REGARDING RECOMMENDED PC BOARD LAYOUT AND CABLE.
4. THE HOUSING WILL WITHSTAND EXPOSURE TO 260°C PEAK TEMPERATURE FOR 10SECONDS IN A REFLOW SOLDERING OVEN.
5. THE PRODUCT THAT THE END HAS "LF" MEETS EUROPEAN DIRECTIVES AND OTHER COUNTRY REGULATIONS AS DESCRIBED IN GS-22-008.

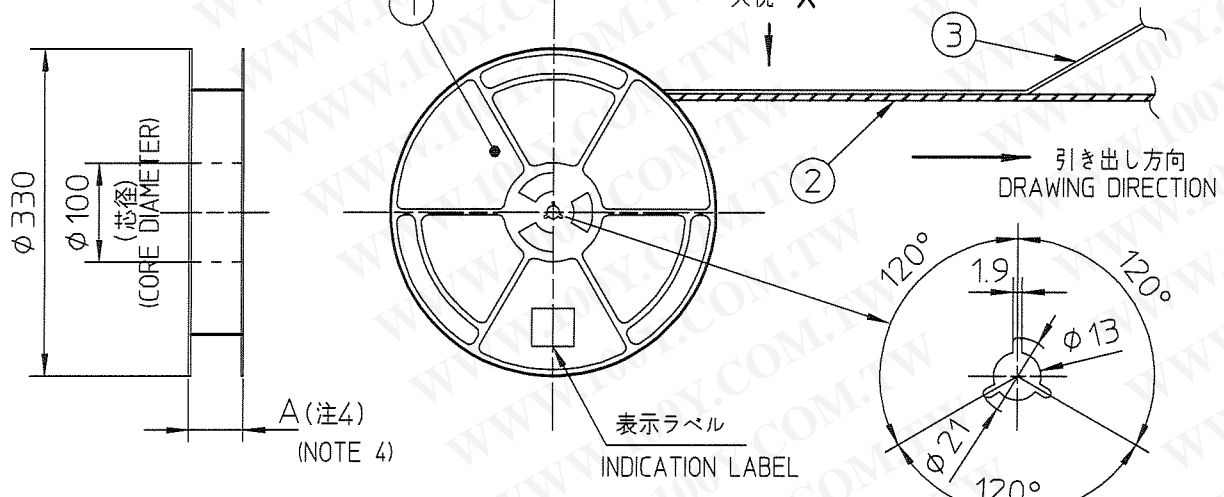
mat'l. code				surface ISO 1302 ✓		tolerance ISO 406 ISO 1101		projection		product family 58DF		CODE JP	
l/r description ecn no dr date				tolerances unless otherwise specified		±0.3		mm		title			
A Released J11-0249 M.Y 2011-11-04				angles linear				scale X		0.5mmピッチFPC/FFC用コネクタ 0.5mm CONTACT SPACING CONNECTOR			
				dr M.Yokoshima 2011-11-04		2011-11-04		FCJ		dwg no sheet 12 of		size	
				enr M.Yokoshima 2011-11-04						62684		A3	
				chr S. M. 2011-11-04						type Product Customer Drawing			
				appd M. M. 11/4/11								Rev. A	
sheet index		revision sheet											



紙リール  
PAPER REEL



プラスチックリール  
PLASTIC REEL



CAT. NO.	表面処理 SURFACE TREATMENT	その他 OTHER	リール REEL
62684-__11_0ALF	金めっき GOLD PLATING	—	紙リール PAPER REEL
62684-__11_0AHLF	金めっき GOLD PLATING	ハロゲンフリー HALOGEN FREE	紙リール PAPER REEL
62684-__11_1AHLF	金めっき GOLD PLATING	ハロゲンフリー HALOGEN FREE	プラスチックリール PLASTIC REEL

製品の種類 (紙リール)  
CAT. NO. & DIMENSIONS (PAPER REEL)

極数 NO. OF CONTACTS (n)	型番 CAT. NO.	寸法 DIMENSIONS			
		A ± 5	B ± 0.1	C ± 0.1	D ± 0.3
45	62684-451160AHLF	48.4	20.2	40.4	44
55	62684-551170AHLF	60.4	26.2	52.4	56

Dual contact type

部品表 PARTS LIST

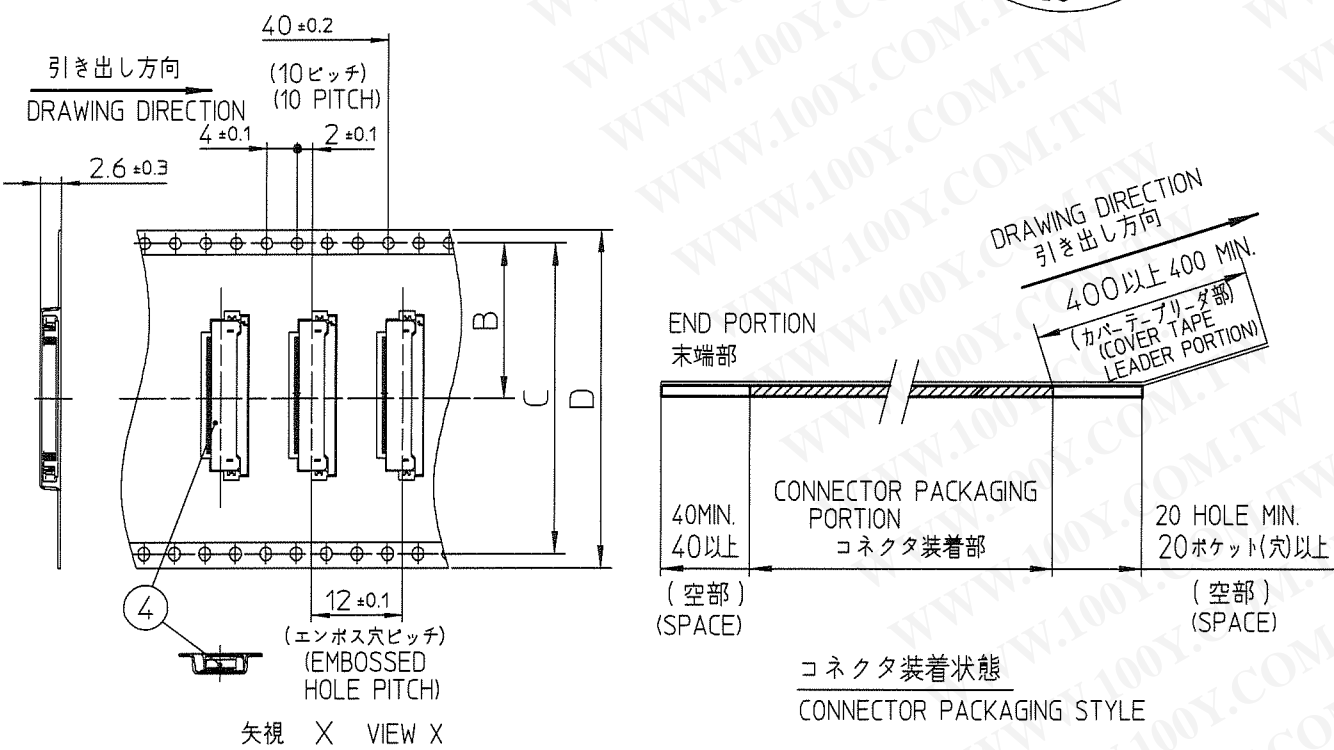
部番 PT NO	品名 PARTS NAME	型番 CAT. NO.	材質 MATERIAL	数量 Q'TY	記事 NOTE
1	リール REEL	—	硬質紙 CARDBOARD	1	色:白 COLOR: WHITE
			ポリスチレン POLYSTYREN	1	色:白 or 黒 COLOR: WHITE or BLACK
2	プラスチック(エンボス)テープ PLASTIC (EMBOSS) TAPE	—	PET樹脂 A-PET	—	色:透明 COLOR: TRANSPARENCY
3	カバーテープ COVER	—	ポリエステル POLYESTER	—	色:透明 COLOR: TRANSPARENCY
4	コネクタ CONNECTOR	62684-__11_A_LF	SHEET 14参照 SEE SHEET 14	2000	2点接触タイプ DUAL CONTACT TYPE

注記

- 本製品は、自動実装 (SMT) 対応FPC用コネクタで2点接触である。
- 本型番は、プラスチックテープ梱包品を示す。
- プラスチック(エンボス)テープ及びリール形状寸法は、JIS C 0806 (電子部品のテーピング(表面実装部品))に準ずる。
- A寸法は、芯径部(コア部)の寸法を示す。

NOTE

- THIS PRODUCT IS THE CONNECTOR USED FOR FPC AND COPES WITH AUTOMATIC MOUNTING(SMT) AND DUAL CONTACT.
- THIS CATALOG NO. INDICATES PLASTIC TAPE PACKAGED CONNECTOR
- SEE JIS C 0806 (PACKING OF ELECTRONIC COMPONENTS ON CONTINUOUS TAPES (SURFACE MOUNTING DEVICES)) FOR SHAPE AND DIMENSIONS OF PLASTIC (EMBOSS) TAPE AND REEL.
- A DIMENSION IS PORTION OF THE CORE.



mat'l. code				surface ISO 1302 ✓		tolerance ISO 406 ISO 1101		projection		product family		CODE	
lfr	description	ecn no	dr	date	tolerances unless otherwise specified		mm		58CF		CODE JP		
A	Released	J11-0249	M.Y	2011-11-04	±5		mm		title		0.5mmピッチ FPC/FPC用 SMTタイプコネクタ プラスチック梱包品		
				angles		linear		scale X		product family		sheet 13 of 13	
				±5°				FCJ		title		62684	
				dr		M.Yokoshima		2011-11-04		dwg no		sheet 13 of 13	
				enr		M.Yokoshima		2011-11-04		type		Product Customer Drawing	
				chr		S. M. T. S.		2011-11-04		size		A3	
				appd		M.Yokoshima		11/4/11		type		Product Customer Drawing	
sheet index		revision sheet										Rev. A	



Copyright FCI

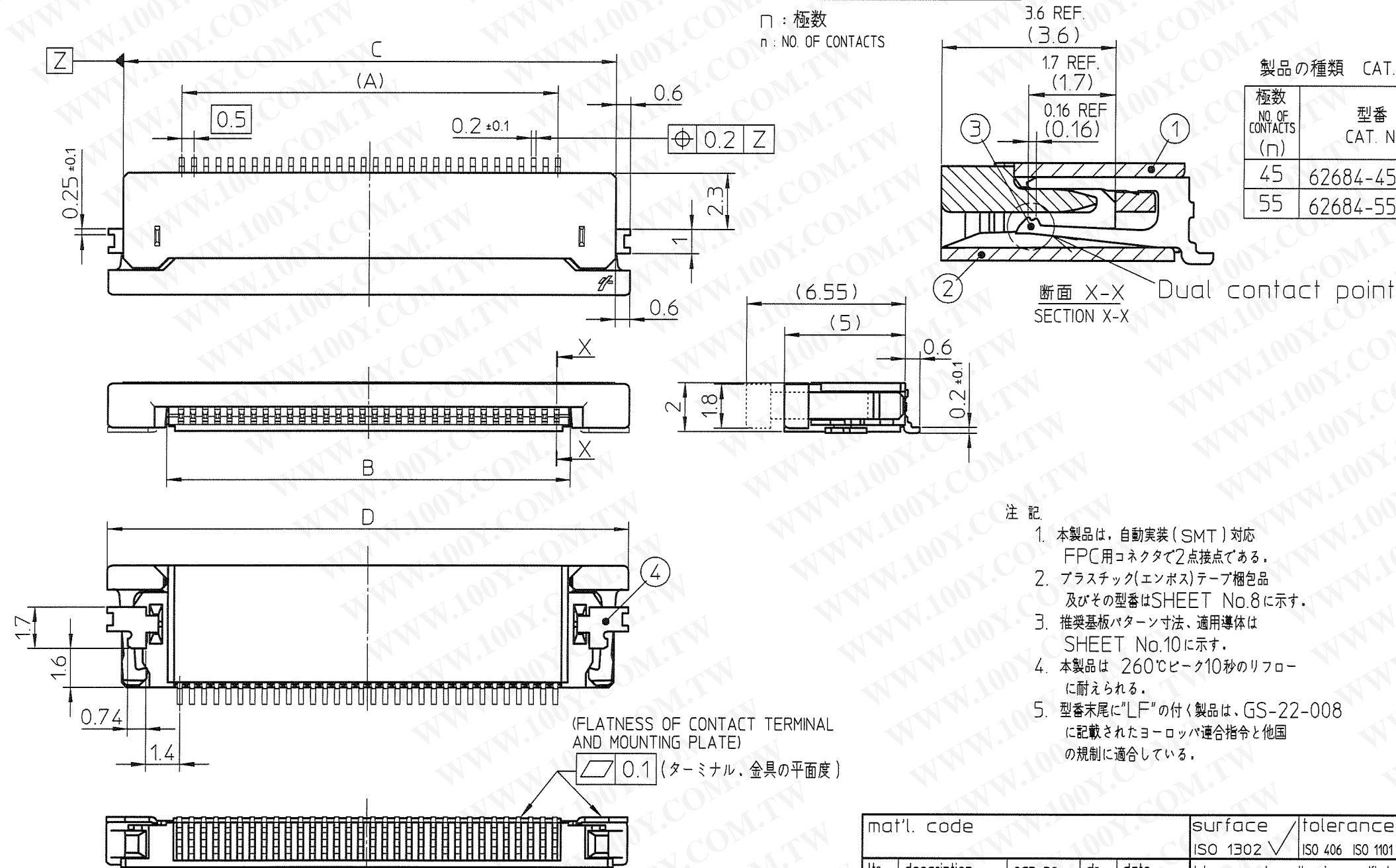


部品表 PARTS LIST

部番 PT NO.	品名 PARTS NAME	材 質 MATERIAL		数量 QTY	記 事 NOTE
		62684-__11_0ALF	62684-__11_0AHLF		
1	ハウジング HOUSING	ガラス繊維入耐熱性樹脂 (UL94V-0) GLASS FILLED THERMOPLASTIC (UL94V-0)	ガラス繊維入耐熱性樹脂 (UL94V-0)(ハロゲンフリー) GLASS FILLED THERMOPLASTIC (UL94V-0)(HALOGEN FREE)	1	色: ベージュ COLOR: BEIGE
2	スライダ SLIDER	ガラス繊維入耐熱性樹脂 (UL94V-0) GLASS FILLED THERMOPLASTIC (UL94V-0)	ガラス繊維入耐熱性樹脂 (UL94V-0)(ハロゲンフリー) GLASS FILLED THERMOPLASTIC (UL94V-0)(HALOGEN FREE)	1	色: 黒 COLOR: BLACK
3	コンタクト CONTACT	りん青銅: Ni下地 1.27 μmMIN. 金めっき 0.05 μmMIN. PHOSPHOR BRONZE: Ni UNDERPLATED 1.27 μmMIN. GOLD PLATING 0.05 μmMIN.		n	2点接点 DUAL CONTACT
4	金具 MOUNTING PLATE	黄銅: Ni下地 1.27 μmMIN. すずめっき 1 μmMIN. BRASS: Ni UNDERPLATED 1.27 μmMIN. TIN PLATING 1 μmMIN.		2	

	表面処理 その他 SURFACE TREATMENT AND OTHER
62684-__11_ALF	金めっき GOLD PLATING
62684-__11_AHLF	金めっき ハロゲンフリー GOLD PLATING HALOGEN FREE

n: 極数  
n: NO. OF CONTACTS



製品の種類 CAT. NO. & DIMENSIONS

極数 NO. OF CONTACTS (n)	型番 CAT. NO.	寸法 DIMENSIONS				ハウジング材質 HOUSING MATERIAL
		A	B	C	D	
45	62684-45116AHLF	22	23.15	26.8	28	LCP
55	62684-55117AHLF	27	28.15	31.8	33	

注 記

1. 本製品は、自動実装 (SMT) 対応 FPC用コネクタで2点接点である。
2. プラスチック(エンボス)テープ梱包品及びその型番はSHEET No.8に示す。
3. 推奨基板パターン寸法、適用導体はSHEET No.10に示す。
4. 本製品は 260℃ピーク10秒のリフローに耐えられる。
5. 型番末尾に"LF"の付く製品は、GS-22-008に記載されたヨーロッパ指令と他国の規制に適合している。

NOTE

1. THIS PRODUCT IS THE CONNECTOR USED FOR FPC AND COPS WITH AUTOMATIC MOUNTING (SMT) AND DUAL CONTACT.
2. SEE SHEET No.8 REGARDING PLASTIC TAPE PACKAGED PRODUCT.
3. SEE SHEET No.10 REGARDING RECOMMENDED PC BOARD LAYOUT AND CABLE.
4. THE HOUSING WILL WITHSTAND EXPOSURE TO 260°C PEAK TEMPERATURE FOR 10 SECONDS IN A REFLOW SOLDERING OVEN.
5. THE PRODUCT THAT THE END HAS "LF" MEETS EUROPEAN DIRECTIVES AND OTHER COUNTRY REGULATIONS AS DESCRIBED IN GS-22-008.

mat'l. code				surface ISO 1302 ✓		tolerance ISO 406 ISO 1101		projection		product family 58CF		CODE JP	
lfr description ecn no dr date				tolerances unless otherwise specified		angles linear		mm		title		0.5mmピッチFPC/FFC用コネクタ	
A Released J11-0249 M.Y 2011-11-04				±0.3				scale X		0.5mm CONTACT SPACING CONNECTOR			
				dr M.Yakoshima 2011-11-04		engr M.Yakoshima 2011-11-04		chr S. M. 2011-11-04		appd M. W. 11/11		dwg no sheet 14 of size 62684 A3	
sheet index				revision sheet						type Product Customer Drawing		Rev. A	