

Han D female contact-c 1mm² (Ag)

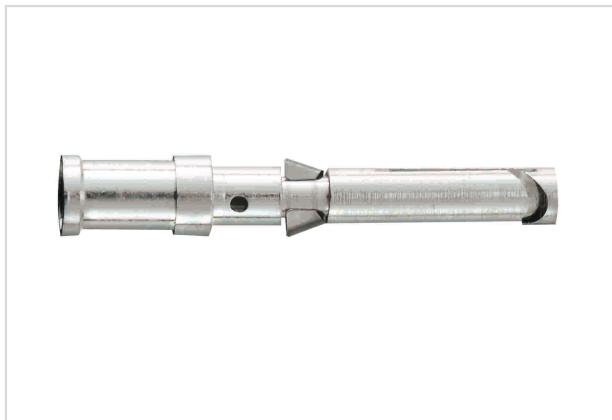


Image is for illustration purposes only. Please refer to product description.

Part number	09 15 000 6202
Specification	Han D female contact-c 1mm ² (Ag)
HARTING eCatalogue	https://b2b.harting.com/09150006202

Identification

Category	Contacts
Series	Han D [®]
Type of contact	Crimp contact

Version

Gender	Female
Manufacturing process	Turned contacts

Technical characteristics

Conductor cross-section	1 mm ²
Conductor cross-section	AWG 18
Operating current	≤10 A
Contact resistance	≤3 mΩ
Stripping length	8 mm
Mating cycles	≥500

Material properties

Material (contacts)	Copper alloy
Surface (contacts)	Silver plated
RoHS	compliant with exemption
RoHS exemptions	6(c): Copper alloy containing up to 4 % lead by weight
ELV status	compliant with exemption
China RoHS	50



Pushing Performance
Since 1945

Material properties

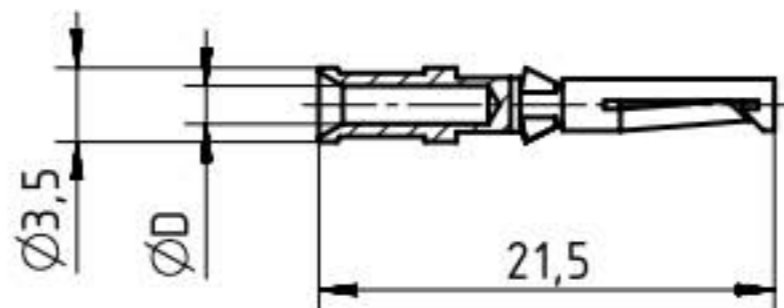
REACH Annex XVII substances	Not contained
REACH ANNEX XIV substances	Not contained
REACH SVHC substances	Yes
REACH SVHC substances	Lead
ECHA SCIP number	b51e5b97-eeb5-438b-8538-f1771d43c17d
California Proposition 65 substances	Yes
California Proposition 65 substances	Lead

Specifications and approvals

Specifications	EN 60664-1 IEC 61984
----------------	-------------------------

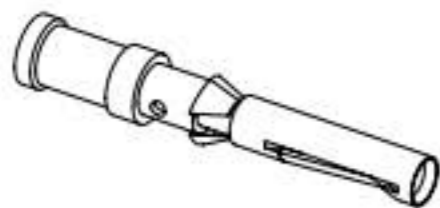
Commercial data

Packaging size	100
Net weight	0.6 g
Country of origin	Germany
European customs tariff number	85366990
eCl@ss	27440204 Contact for industrial connectors



① only for four indent crimping tool adjusting $\varnothing 0,1$

part no.		$\varnothing D$	wire gauge		stripping length	
silver plated	gold plated		mm ²	AWG		
09 15 000 6204	09 15 000 6224	0,90	0,14-0,37	26-22	8	
09 15 000 6203	09 15 000 6223	1,10	0,5	20		
09 15 000 6205	09 15 000 6225	1,30	0,75	18		
09 15 000 6202	09 15 000 6222	1,45	1	18		
09 15 000 6201	09 15 000 6221	1,75	1,5	16		
09 15 000 6206	09 15 000 6226	2,25	2,5	14	6	
09 15 000 6207	09 15 000 6227	0,90	0,14-0,37	26-22	8	①



	All rights reserved		Scale 2:1	Free size tol.	Ref.	
	Department EL PD - DE		Created by RULLKOETTER	Inspected by SCHNIEDER	Standardisation TIEMANNA	Date 2014-05-20
HARTING Electric GmbH & Co. KG D-32339 Espelkamp			Title Han D crimp contacts female			Doc-Key / ECM-Nr. 100109246/UGD/004/A 500000075030
			Type TB	Number 09 15 000 62XX		Rev. A Page 1/1