

Han D F Crimp Contact Ag AWG 20

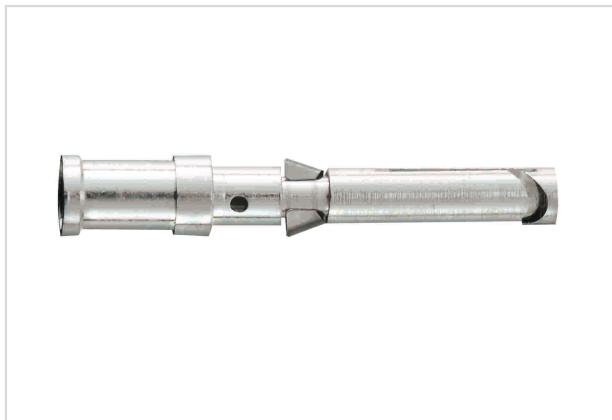


Image is for illustration purposes only. Please refer to product description.

| | |
|--------------------|---|
| Part number | 09 15 000 6203 |
| Specification | Han D F Crimp Contact Ag AWG 20 |
| HARTING eCatalogue | https://b2b.harting.com/09150006203 |

Identification

| | |
|-----------------|--------------------|
| Category | Contacts |
| Series | Han D [®] |
| Type of contact | Crimp contact |

Version

| | |
|-----------------------|-----------------|
| Gender | Female |
| Manufacturing process | Turned contacts |

Technical characteristics

| | |
|-------------------------|---------------------|
| Conductor cross-section | 0.5 mm ² |
| Conductor cross-section | AWG 20 |
| Operating current | ≤10 A |
| Contact resistance | ≤3 mΩ |
| Stripping length | 8 mm |
| Mating cycles | ≥500 |

Material properties

| | |
|---------------------|--|
| Material (contacts) | Copper alloy |
| Surface (contacts) | Silver plated |
| RoHS | compliant with exemption |
| RoHS exemptions | 6(c): Copper alloy containing up to 4 % lead by weight |
| ELV status | compliant with exemption |
| China RoHS | 50 |



Pushing Performance

Material properties

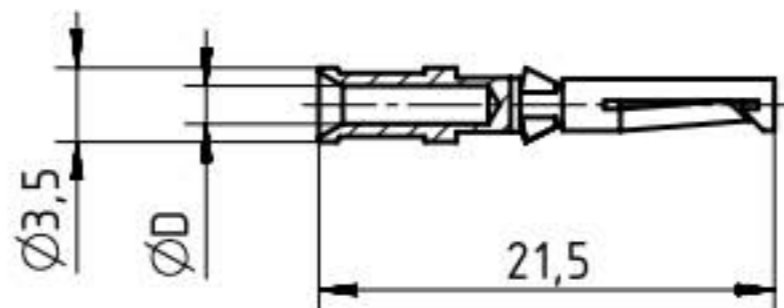
| | |
|--------------------------------------|--------------------------------------|
| REACH Annex XVII substances | No |
| REACH ANNEX XIV substances | No |
| REACH SVHC substances | Yes |
| REACH SVHC substances | Lead |
| ECHA SCIP number | b51e5b97-eeb5-438b-8538-f1771d43c17d |
| California Proposition 65 substances | Yes |
| California Proposition 65 substances | Nickel Lead |

Specifications and approvals

| | |
|----------------|-------------------------|
| Specifications | EN 60664-1 IEC 61984 |
|----------------|-------------------------|

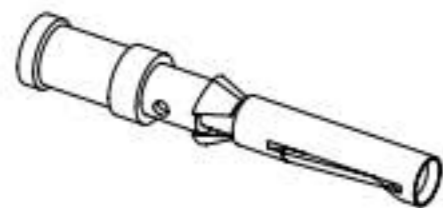
Commercial data

| | |
|--------------------------------|--|
| Packaging size | 100 |
| Net weight | 0.63 g |
| Country of origin | Germany |
| European customs tariff number | 85366990 |
| eCl@ss | 27440204 Contact for industrial connectors |



① only for four indent crimping tool adjusting $\varnothing 0,1$

| part no. | | $\varnothing D$ | wire gauge | | stripping length | |
|----------------|----------------|-----------------|-----------------|-------|------------------|---|
| silver plated | gold plated | | mm ² | AWG | | |
| 09 15 000 6204 | 09 15 000 6224 | 0,90 | 0,14-0,37 | 26-22 | 8 | |
| 09 15 000 6203 | 09 15 000 6223 | 1,10 | 0,5 | 20 | | |
| 09 15 000 6205 | 09 15 000 6225 | 1,30 | 0,75 | 18 | | |
| 09 15 000 6202 | 09 15 000 6222 | 1,45 | 1 | 18 | | |
| 09 15 000 6201 | 09 15 000 6221 | 1,75 | 1,5 | 16 | | |
| 09 15 000 6206 | 09 15 000 6226 | 2,25 | 2,5 | 14 | 6 | |
| 09 15 000 6207 | 09 15 000 6227 | 0,90 | 0,14-0,37 | 26-22 | 8 | ① |



| | | | | | | |
|---|-----------------------|-----------------------|-----------------------------------|------------------------|--------------------------|--|
|  | All rights reserved | | Scale 2:1 | Free size tol. | Ref. | |
| | Department EL PD - DE | | Created by RULLKOETTER | Inspected by SCHNIEDER | Standardisation TIEMANNA | Date 2014-05-20 |
| HARTING Electric GmbH & Co. KG D-32339 Espelkamp | | | Title Han D crimp contacts female | | | Doc-Key / ECM-Nr. 100109246/UGD/004/A 500000075030 |
| Type TB | | Number 09 15 000 62XX | | Rev. A | Page 1/1 | |