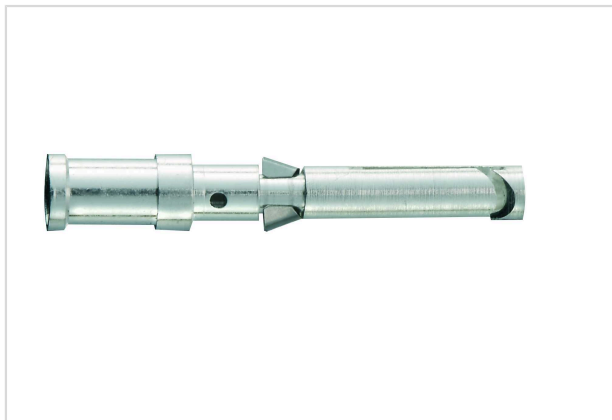


## Han D F Crimp Contact Ag



Part number	09 15 000 6205
Specification	Han D F Crimp Contact Ag
HARTING eCatalogue	<a href="https://b2b.harting.com/09150006205">https://b2b.harting.com/09150006205</a>

### Identification

Category	Contacts
Series	Han D <sup>®</sup>
Type of contact	Crimp contact

### Version

Gender	Female
--------	--------

### Technical characteristics

Conductor cross-section	0.75 mm <sup>2</sup>
Conductor cross-section	AWG 18
Operating current	≤10 A
Contact resistance	≤3 mΩ
Stripping length	8 mm

### Material properties

Material (contacts)	Copper alloy
Surface (contacts)	Silver plated
RoHS	compliant with exemption
RoHS exemptions	6(c): Copper alloy containing up to 4 % lead by weight
ELV status	compliant with exemption
China RoHS	50
REACH Annex XVII substances	No
REACH ANNEX XIV substances	No
REACH SVHC substances	Yes



Pushing Performance

## Material properties

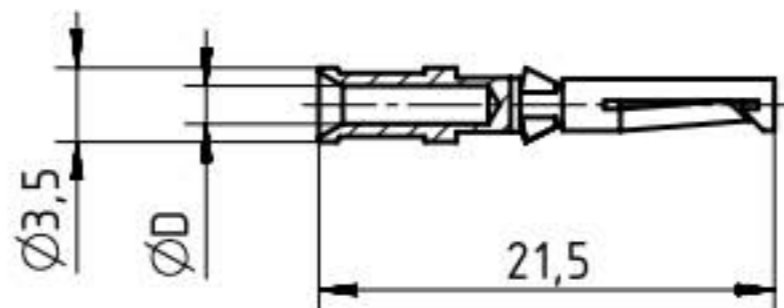
REACH SVHC substances	Lead
-----------------------	------

## Specifications and approvals

Specifications	EN 60664-1 IEC 61984
----------------	-------------------------

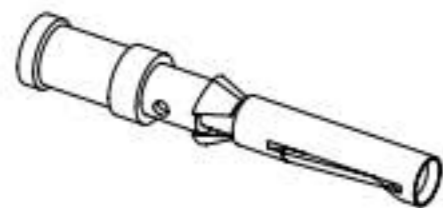
## Commercial data

Packaging size	100
Net weight	0.672 g
Country of origin	Germany
European customs tariff number	85366990
eCl@ss	27440204 Contact for industrial connectors



① only for four indent crimping tool adjusting  $\varnothing 0,1$

part no.		$\varnothing D$	wire gauge		stripping length	
silver plated	gold plated		mm <sup>2</sup>	AWG		
09 15 000 6204	09 15 000 6224	0,90	0,14-0,37	26-22	8	
09 15 000 6203	09 15 000 6223	1,10	0,5	20		
09 15 000 6205	09 15 000 6225	1,30	0,75	18		
09 15 000 6202	09 15 000 6222	1,45	1	18		
09 15 000 6201	09 15 000 6221	1,75	1,5	16		
09 15 000 6206	09 15 000 6226	2,25	2,5	14	6	
09 15 000 6207	09 15 000 6227	0,90	0,14-0,37	26-22	8	①



	All rights reserved	Created by RULLKOETTER	Inspected by SCHNIEDER	Standardisation TIEMANNA	Date 2014-05-20	State Final Release	
	Department EL PD - DE	Title Han D crimp contacts female				Doc-Key / ECM-Nr. 100109246/UGD/004/A 500000075030	
HARTING Electric GmbH & Co. KG D-32339 Espelkamp		Type TB	Number 09 15 000 62XX			Rev. A	Page 1/1