

Han D F Crimp Contact 0,75mm² Au



Part number	09 15 000 6225
Specification	Han D F Crimp Contact 0,75mm ² Au
HARTING eCatalogue	https://b2b.harting.com/09150006225

Identification

Category	Contacts
Series	Han D [®]
Type of contact	Crimp contact

Version

Gender	Female
--------	--------

Technical characteristics

Conductor cross-section	0.75 mm ²
Conductor cross-section	AWG 18
Operating current	≤10 A
Contact resistance	≤3 mΩ
Stripping length	8 mm

Material properties

Material (contacts)	Copper alloy
Surface (contacts)	Gold plated
RoHS	compliant with exemption
RoHS exemptions	6(c): Copper alloy containing up to 4 % lead by weight
ELV status	compliant with exemption
China RoHS	50
REACH Annex XVII substances	No
REACH ANNEX XIV substances	No
REACH SVHC substances	Yes



Pushing Performance

Material properties

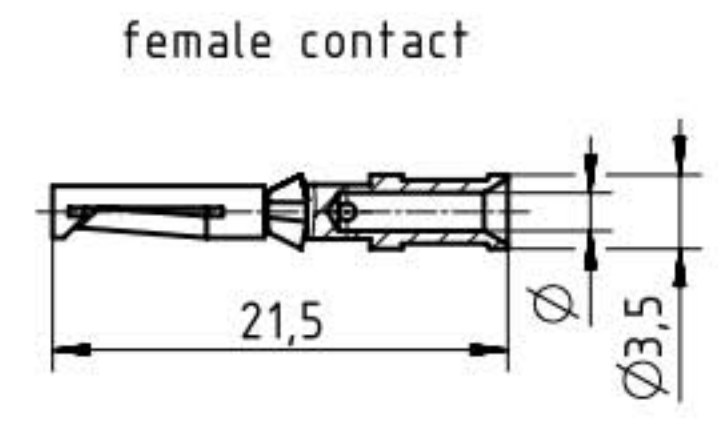
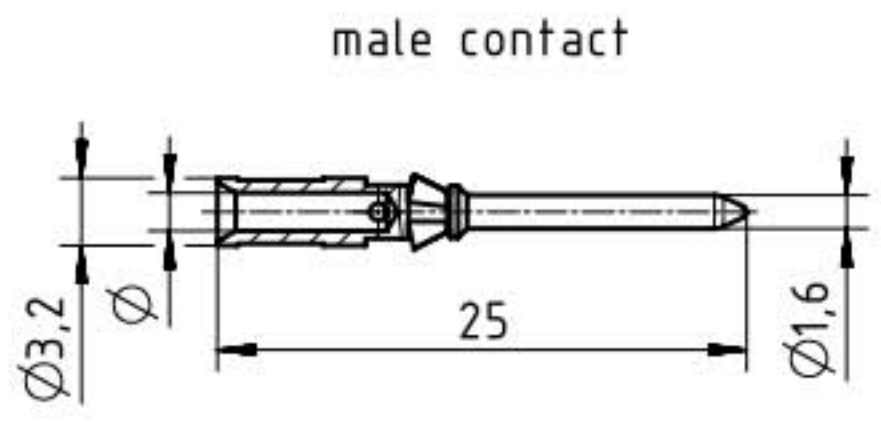
REACH SVHC substances	Lead
-----------------------	------

Specifications and approvals

Specifications	EN 60664-1 IEC 61984
----------------	-------------------------

Commercial data

Packaging size	100
Net weight	0.69 g
Country of origin	Germany
European customs tariff number	85366990
eCl@ss	27440204 Contact for industrial connectors



Part no. 09 15 000				Ø	Wire gauge		Stripping length	Recommended crimping tools			
silver plated		gold plated			mm ²	AWG		09 99 000 0888	09 99 000 0001	09 99 000 0110	09 99 000 0021
male contact	female contact	male contact	female contact								
6107	6207	6127	6227	0,90	0,14-0,37	26-22	8	X	X		
6104	6204	6124	6224							X	X
6103	6203	6123	6223	1,10	0,5	20		X	X	X	X
6105	6205	6125	6225	1,30	0,75	18		X	X	X	X
6102	6202	6122	6222	1,45	1	18		X	X	X	X
6101	6201	6121	6221	1,75	1,5	16		X	X	X	X
6106	6206	6126	6226	2,25	2,5	14		6	X	X	

	All rights reserved		Scale 2:1	Free size tol.	Ref.	
	Department EL PD		Created by FINKEV	Inspected by NICHTERLEIN	Standardisation TIEMANNA	Sub.
HARTING Electric GmbH & Co. KG		Title Han D contacts male/female			Date 2018-11-15	State Final Release
D-32339 Espelkamp		Type TB	Number 09 15 000 6XXX		Doc-Key / ECM-Nr. 100109246/UGD/004/D 50000014.1802	Rev. D
					Page 1/1	