

## Han D F crimp contact 2,5 mm<sup>2</sup> Au/SMC



Image is for illustration purposes only. Please refer to product description.

Part number	09 15 000 6226
Specification	Han D F crimp contact 2,5 mm <sup>2</sup> Au/SMC
HARTING eCatalogue	<a href="https://b2b.harting.com/09150006226">https://b2b.harting.com/09150006226</a>

### Identification

Category	Contacts
Series	Han D <sup>®</sup>
Type of contact	Crimp contact

### Version

Gender	Female
Manufacturing process	Turned contacts

### Technical characteristics

Conductor cross-section	2.5 mm <sup>2</sup>
Conductor cross-section	AWG 14
Operating current	≤10 A
Contact resistance	≤3 mΩ
Stripping length	6 mm

### Material properties

Material (contacts)	Copper alloy
Surface (contacts)	Gold plated
RoHS	compliant with exemption
RoHS exemptions	6(c): Copper alloy containing up to 4 % lead by weight
ELV status	compliant with exemption
China RoHS	50
REACH Annex XVII substances	No



Pushing Performance

## Material properties

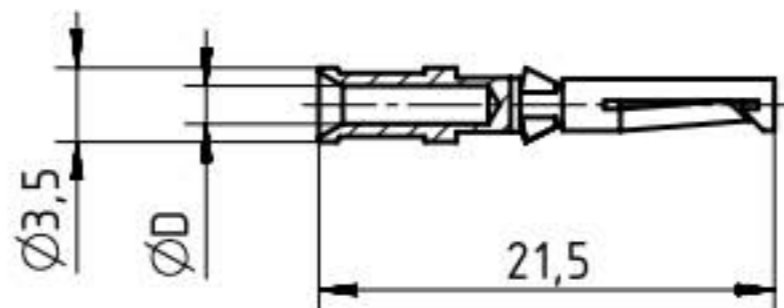
REACH ANNEX XIV substances	No
REACH SVHC substances	Yes
REACH SVHC substances	Lead
ECHA SCIP number	b51e5b97-eeb5-438b-8538-f1771d43c17d
California Proposition 65 substances	Yes
California Proposition 65 substances	Nickel
California Proposition 65 substances	Lead

## Specifications and approvals

Specifications	EN 60664-1
	IEC 61984

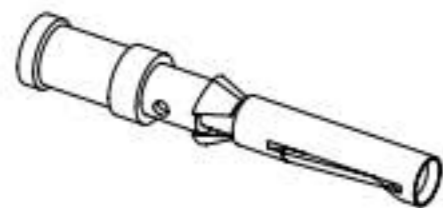
## Commercial data

Packaging size	100
Net weight	0.6 g
Country of origin	Germany
European customs tariff number	85366990
eCl@ss	27440204 Contact for industrial connectors



① only for four indent crimping tool adjusting  $\varnothing 0,1$

part no.		$\varnothing D$	wire gauge		stripping length	
silver plated	gold plated		mm <sup>2</sup>	AWG		
09 15 000 6204	09 15 000 6224	0,90	0,14-0,37	26-22	8	
09 15 000 6203	09 15 000 6223	1,10	0,5	20		
09 15 000 6205	09 15 000 6225	1,30	0,75	18		
09 15 000 6202	09 15 000 6222	1,45	1	18		
09 15 000 6201	09 15 000 6221	1,75	1,5	16		
09 15 000 6206	09 15 000 6226	2,25	2,5	14	6	
09 15 000 6207	09 15 000 6227	0,90	0,14-0,37	26-22	8	①



	All rights reserved		Scale 2:1	Free size tol.	Ref.	
	Department EL PD - DE		Created by RULLKOETTER	Inspected by SCHNIEDER	Standardisation TIEMANNA	Date 2014-05-20
HARTING Electric GmbH & Co. KG D-32339 Espelkamp			Title Han D crimp contacts female			Doc-Key / ECM-Nr. 100109246/UGD/004/A 500000075030
			Type TB	Number 09 15 000 62XX		Rev. A Page 1/1