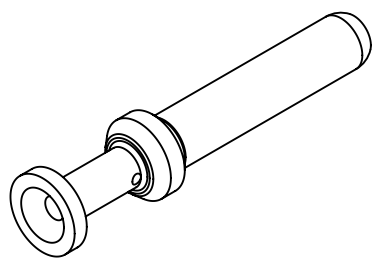
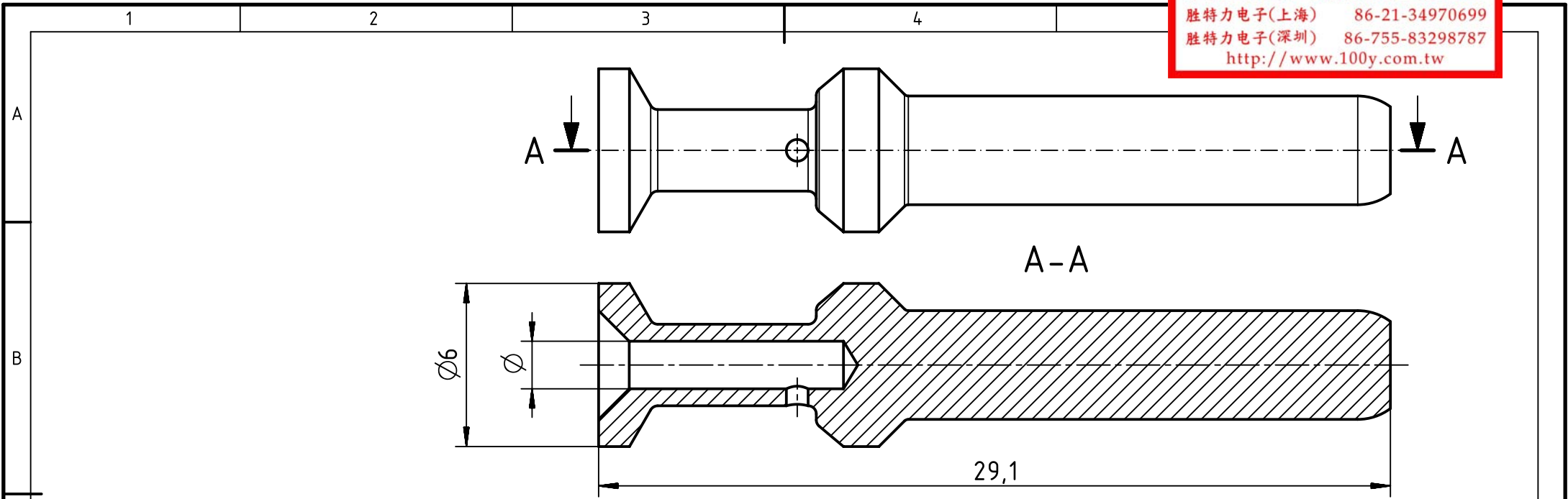


勝特力電材超市-龍山店 886-3-5773766  
 勝特力電材超市-光復店 886-3-5729570  
 勝特力电子(上海) 86-21-34970699  
 勝特力电子(深圳) 86-755-83298787  
<http://www.100y.com.tw>



Part No. silver plated	Ø	wire gauge		stripping length mm
		mm <sup>2</sup>	AWG	
09 32 000 6104	1,75	1,5	16	9,5
09 32 000 6105	2,25	2,5	14	
09 32 000 6107	2,85	4	12	
09 32 000 6108	3,5	6	10	
09 32 000 6109	4,3	10	8	15

	All rights reserved Department EL PD - DE	All Dimensions in mm Original Size DIN A4		Scale 5:1	Free size tol.	Ref.	Sub.	
		Created by RULLKOETTER	Inspected by GERB	Standardisation TIEMANNA	Date 2015-06-18	State Final Release	Doc-Key / ECM-Nr. 100088548/UGD/010/B 500000090447	
HARTING Electric GmbH & Co. KG D-32339 Espelkamp		Title Han C-male contact			Type TB		Number 09 32 000 61XX	
						Rev. B	Page 1/1	