

## Han Coding System Guide Pin



Image is for illustration purposes only. Please refer to product description.

Part number	09 33 000 9908
Specification	Han Coding System Guide Pin
HARTING eCatalogue	<a href="https://b2b.harting.com/09330009908">https://b2b.harting.com/09330009908</a>

### Identification

Category	Accessories
Type of accessory	Coding
Description of the accessory	With guide pins/bushes for application "insert in hood/housing"

### Version

Gender	Male
Details	Guide bushing opposite side

### Material properties

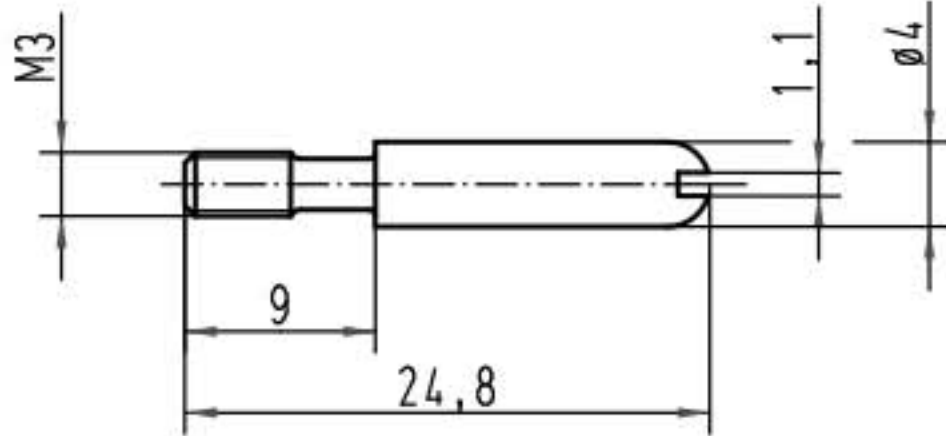
RoHS	compliant with exemption
RoHS exemptions	6(a) / 6(a)-I: Lead as an alloying element in steel for machining purposes and in galvanised steel containing up to 0,35 % lead by weight / Lead as an alloying element in steel for machining purposes containing up to 0,35 % lead by weight and in batch hot dip galvanised steel components containing up to 0,2 % lead by weight
ELV status	compliant with exemption
China RoHS	50
REACH Annex XVII substances	No
REACH ANNEX XIV substances	No
REACH SVHC substances	Yes
REACH SVHC substances	Lead
California Proposition 65 substances	Yes
California Proposition 65 substances	Lead



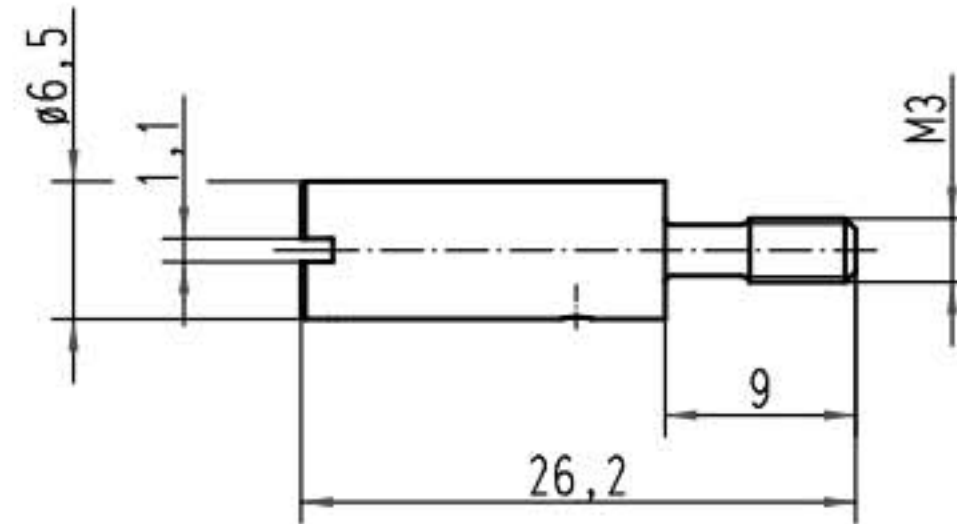
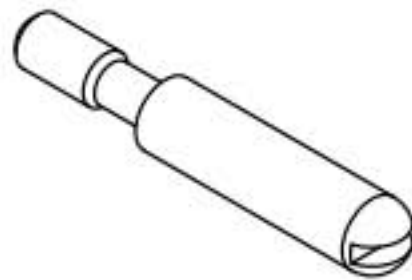
Pushing Performance

## Commercial data

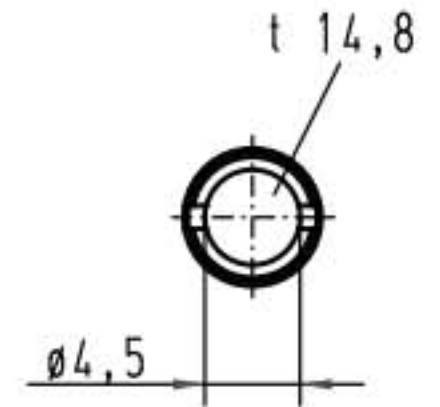
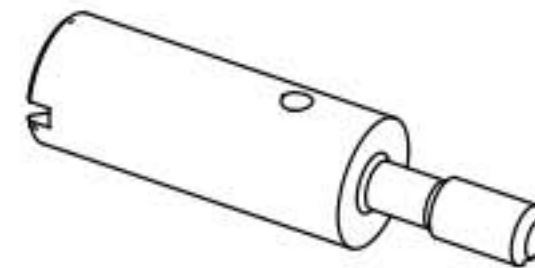
Packaging size	50
Net weight	1.7 g
Country of origin	Germany
European customs tariff number	73181900
eCl@ss	27440203 Coding for industrial connectors



Führungsstift  
guide pin



Führungsbuchse  
guide bush



All Dimensions in mm  
Original Size DIN A 4

Techn. Character.

Nicht tolerierte Maße/ Free size tolerances

	Dat.	Name	Maßstab/ Scale 2:1
Detail.	29.06.10	Rull	
Insp.		Sch	
Stand.			

Codierung  
coding system

09 33 000 9909 Führungsbuchse / guide bush

09 33 000 9908 Führungsstift / guide pin

Bestell Nr / Part No Bezeichnung / description

A		
Mod.	Dat.	Name

HARTING Electric GmbH & Co. KG  
D-32339 Espelkamp



TB 09 33 000 990.

Sub. TB 09 33 000 990. v. 09.12.99

Blatt/ page  
1/3