

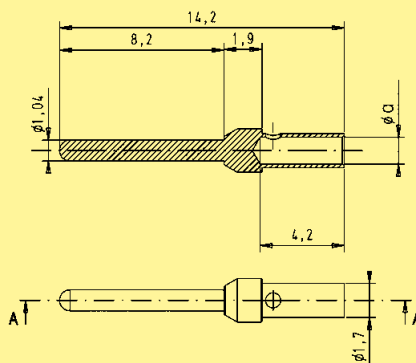


Turned crimp contacts

Identification	Wire gauge (mm ²)	Part No.		
		Male contacts	Female contacts	High-end female contacts
		Performance level 1*	Performance level 1*	Performance level 1*
Individual contacts ¹⁾	AWG 22-18 0.33-0.82	09 67 000 3576	09 67 000 3476	09 67 000 3676
	AWG 24-20 0.25-0.52	09 67 000 8576	09 67 000 8476	09 67 000 8676
	AWG 26-22 0.13-0.33	09 67 000 5576	09 67 000 5476	09 67 000 5676
	AWG 28-24 0.09-0.25	09 67 000 7576	09 67 000 7476	09 67 000 7676

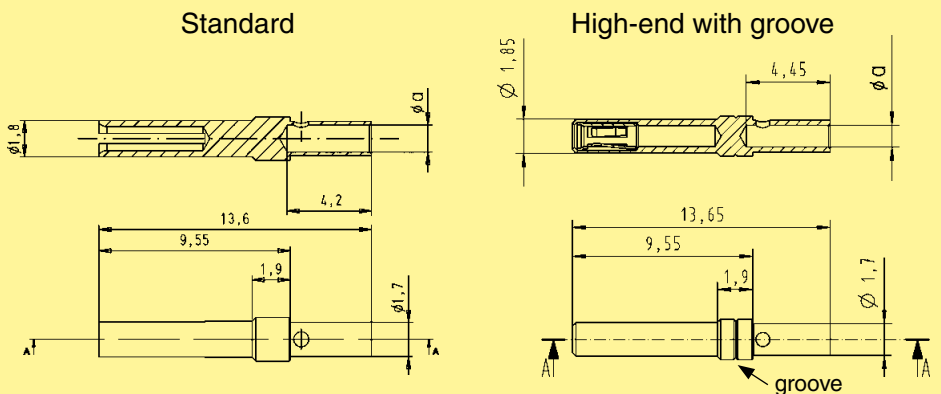
¹⁾ Minimum order 100 pieces or multiples of 100

Male contacts



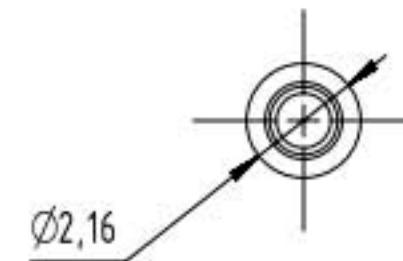
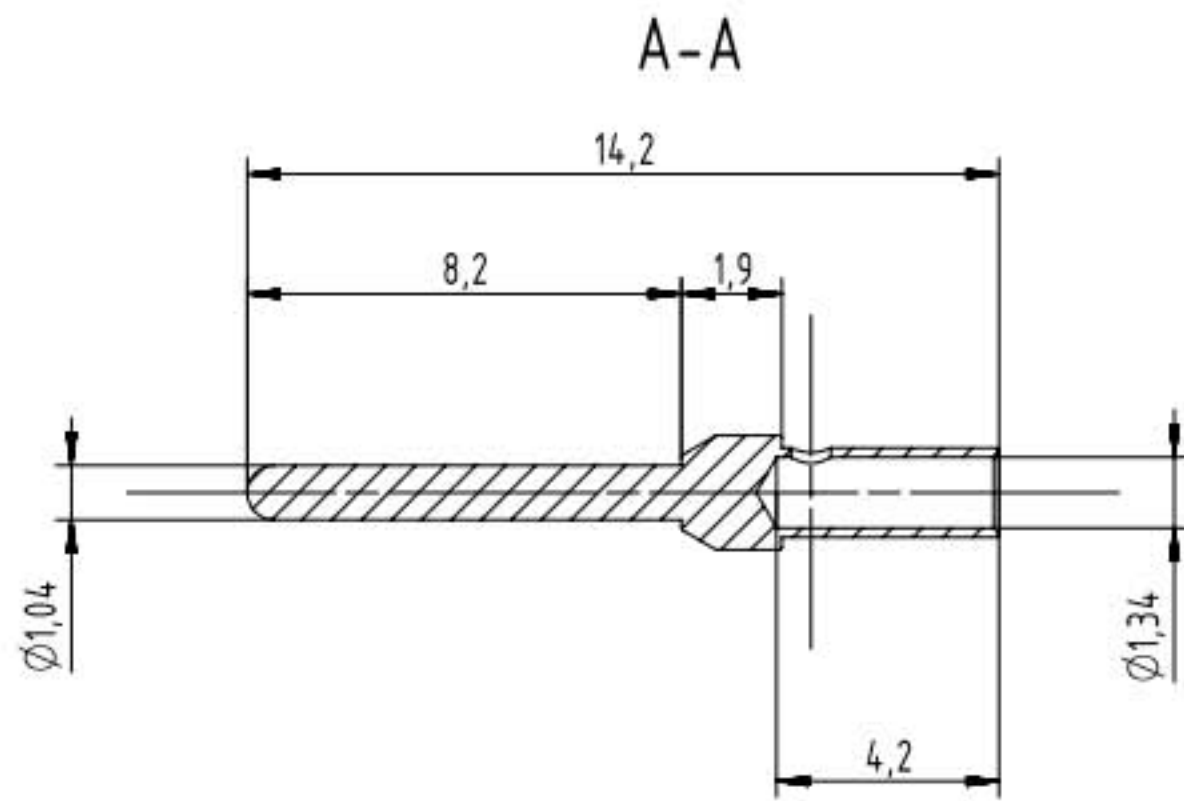
	a	groove
AWG 22-18	1.34	none
AWG 24-20	1.13	1
AWG 26-22	0.88	2
AWG 28-24	0.64	3

Female contacts



* Performance level 1 as per CECC 75 301-802, 500 mating cycles, 10 days 4 mixed gas test – IEC 60 512
 Use crimp tool with the part no. 09 99 000 0501 and the locator with the part no. 09 99 000 0531. Details see chapter 20

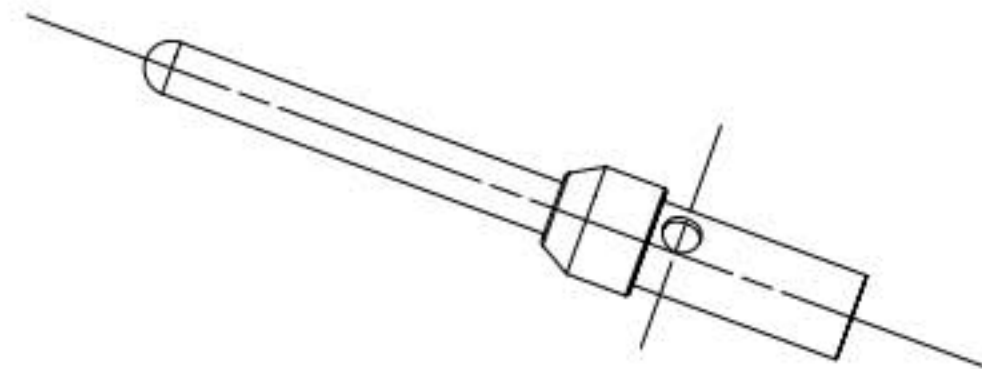
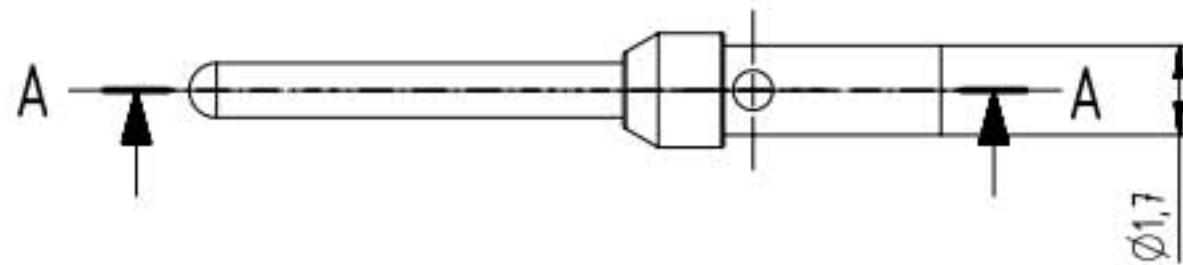
D-Sub



Crimping AWG 18-22

Hand tool : 09 99 000 0501

Locator: 09 99 000 0531



		All Dimensions in mm Original Size DIN A4		Scale 5:1		Free size tol.		Ref.	
All rights reserved		Created by BOURGEOIS		Inspected by BAGDIKIAN		Standardisation KOHLER		Date 2014-06-18	
Department EC PD - FR		Title D-Sub, MA AWG 18-22 crimp cont		State Final Release		Doc-Key / ECM-Nr. 100189794/UGO/003/C 500000076079		Rev. C	
HARTING Electronics GmbH D-32339 Espelkamp		Type TB		Number 09670003576		Page 1/1			

09670003576580	PL1	5000
09670003576	PL1	100
Part number	Gold plating (over nickel)	Bulk packaging