

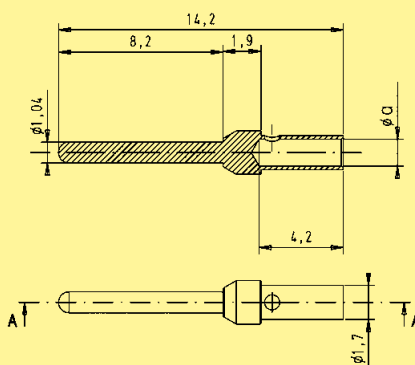


Turned crimp contacts

Identification	Wire gauge (mm ²)	Part No.		
		Male contacts	Female contacts	High-end female contacts
		Performance level 1*	Performance level 1*	Performance level 1*
Individual contacts ¹⁾	AWG 22-18 0.33-0.82	09 67 000 3576	09 67 000 3476	09 67 000 3676
	AWG 24-20 0.25-0.52	09 67 000 8576	09 67 000 8476	09 67 000 8676
	AWG 26-22 0.13-0.33	09 67 000 5576	09 67 000 5476	09 67 000 5676
	AWG 28-24 0.09-0.25	09 67 000 7576	09 67 000 7476	09 67 000 7676

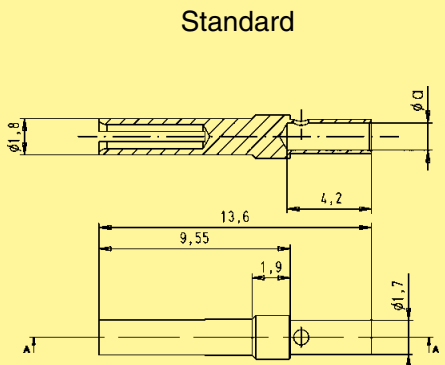
¹⁾ Minimum order 100 pieces or multiples of 100

Male contacts

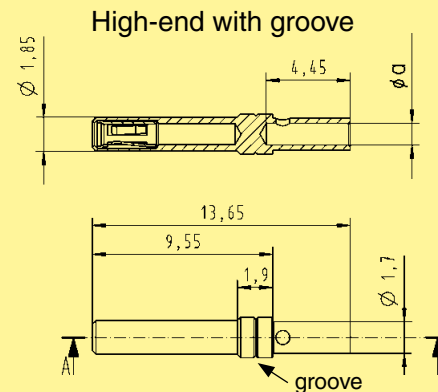


	a	groove
AWG 22-18	1.34	none
AWG 24-20	1.13	1
AWG 26-22	0.88	2
AWG 28-24	0.64	3

Female contacts



Standard

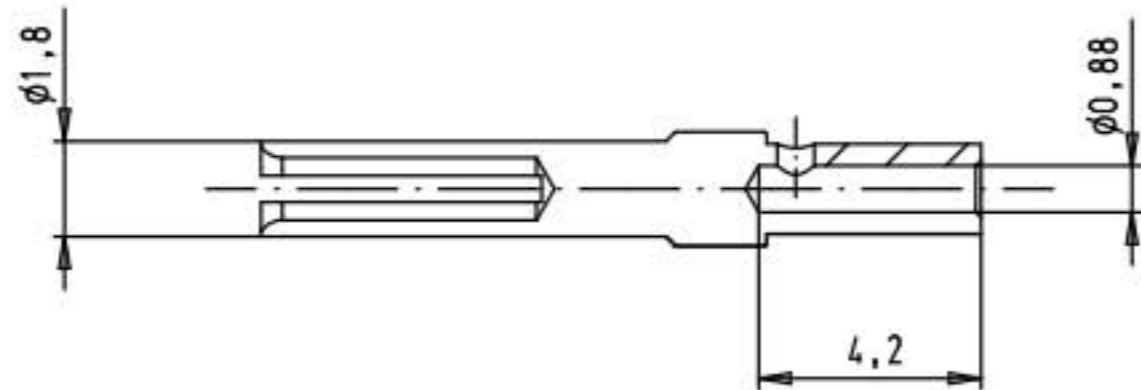


High-end with groove

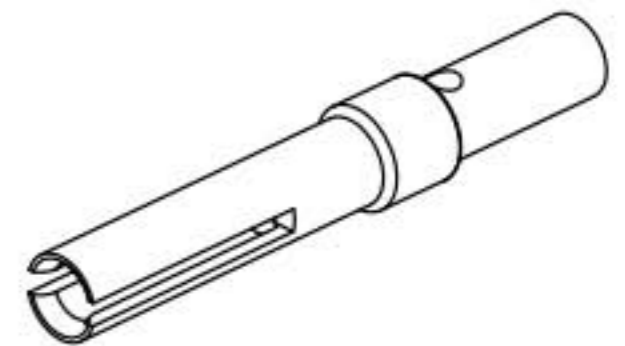
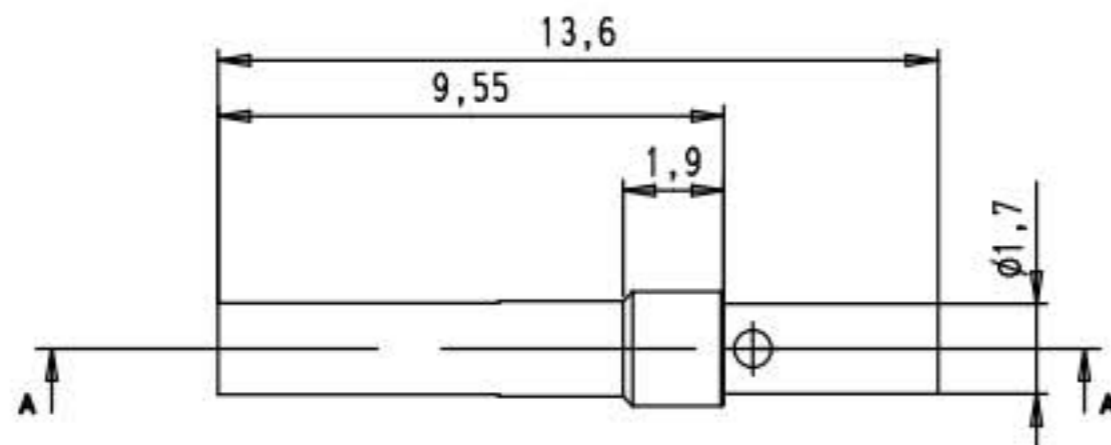
D-Sub

* Performance level 1 as per CECC 75 301-802, 500 mating cycles, 10 days 4 mixed gas test – IEC 60 512
 Use crimp tool with the part no. 09 99 000 0501 and the locator with the part no. 09 99 000 0531. Details see chapter 20

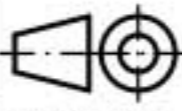

5 4 3 2 1



Crimping of AWG 22-26 : hand tool 09 99 000 0501
and locator 09 99 000 0531



A	5000	09 67 000 5476 580	PL1
	100	09 67 000 5476	PL1
	Bulk packaging	Part number	Gold plating (over nickel)

				Det.	Name	 All Dim. in mm Orig. Size DIN A 4
			Detail.	12apr2010	LP	
			Insp.	07/11/11	JB	
			Stand.			
	EC04018	07/11/11	SD	HARTING EURL F-95972 Paris 		
	EC01739	29apr2010	LP			
	EC01656	12apr2010	LP			
	Mod.	Det.	Name			

D-Sub	AWG 22-26	Maßstab/ Scale
female turned crimp contact		5/1
TB09 67 000 547x		Blatt/ Page
Sub.		1/1