

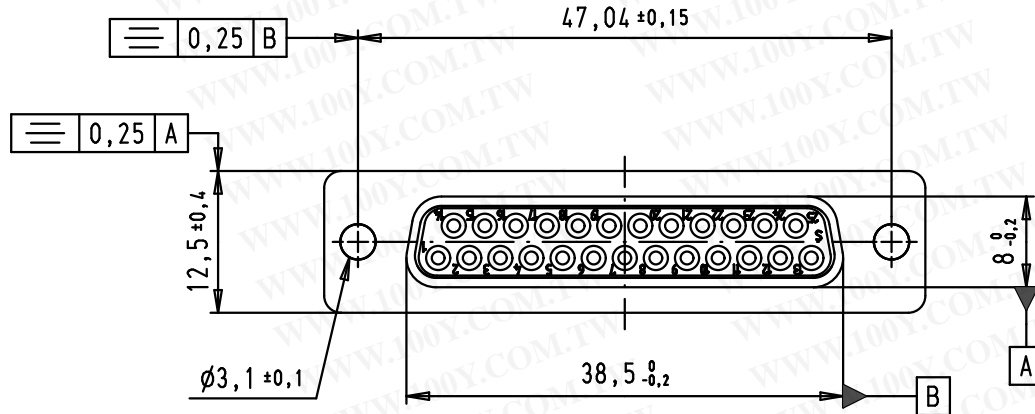
5

4

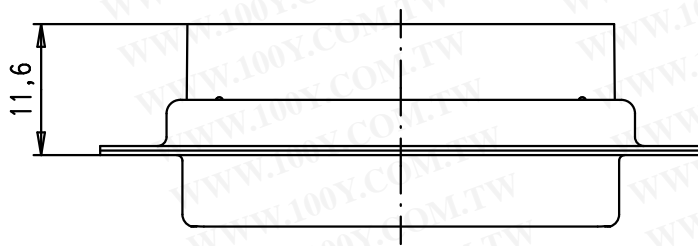
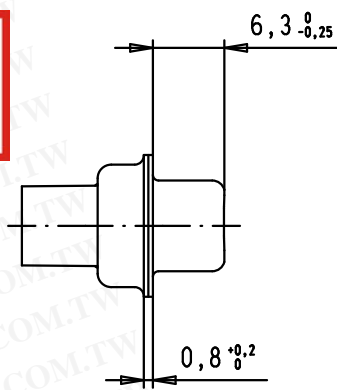
3

2

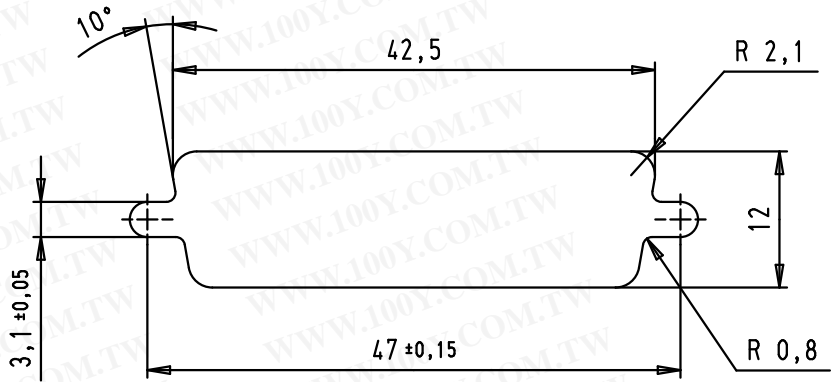
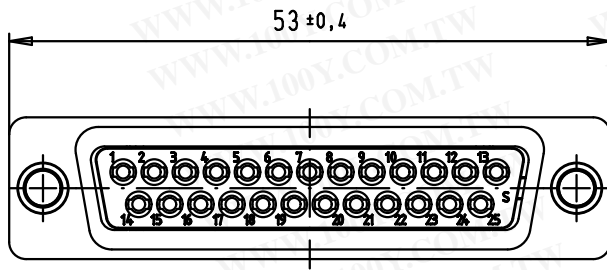
1



勝特力材料 886-3-5753170
 勝特力电子(上海) 86-21-34970699
 勝特力电子(深圳) 86-755-83298787
[Http://www.100y.com.tw](http://www.100y.com.tw)

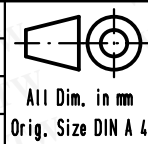


Panel cut out



D
C
B
A

| Mod. | Dot. | Name | Dot. | Name |
|-------|----------|------|-------------------------------|-------------|
| 34784 | 13/02/08 | PK | Detail. | 09/04/02 CV |
| 33106 | 22/09/05 | JMDR | Insp. | |
| 31571 | 12/11/03 | SH | Stand. | |
| 31526 | 31/07/03 | TCP | HARTING EURL F-95972 Paris | |
| 29768 | 09/04/02 | CV | | |



D-Sub, female, straight,
 25 poles, for crimp contacts,
 tin plated shell

Maßstab/
 Scale
 1,5:1



TB 09 67 025 4701

Blatt/ Page
 1 / 2

Sub.