

**Straight through hole type male connector
with locking block for PCB**

MR-()RMD2()+

RoHS



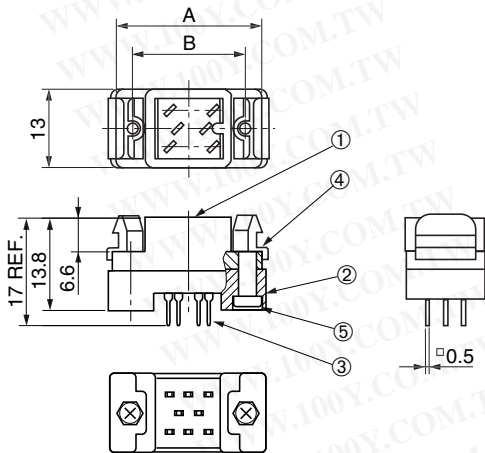
● Configuration of product Part No.

MR- () R MD2 ()+

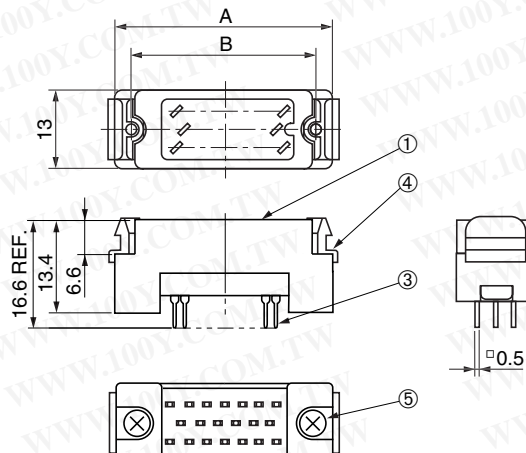
① ② ③ ④ ⑤

- ① Series name
- ② No. of contacts: 8, 16, 20, 25, 34 or 50
- ③ With locking block
- ④ Type of contact: Through hole, male
- ⑤ Contact plating
None: Silver plate (standard)
G : Gold plate

勝特力材料 886-3-5753170
 勝特力电子(上海) 86-21-34970699
 勝特力电子(深圳) 86-755-83298787
[Http://www.100y.com.tw](http://www.100y.com.tw)



8-contact connector



16, 20, 25, 34 or 50-contact connector

● Components

①	Insulator
②	Spacer
③	Contact
④	Locking block (Appended)
⑤	Small-sized Phillips head screws (Appended)

● Dimensions

Part No.	A	B
MR-8RMD2()+	22.4	17.4
MR-16RMD2()+	30.2	25.2
MR-20RMD2()+	32.8	27.8
MR-25RMD2()+	38.0	33.0
MR-34RMD2()+	45.8	40.8
MR-50RMD2()+	61.4	56.4

Mating case: MR-()L+, MR-()LW+

Mating connectors with case: MR-()LF()+, etc.