

PCR series

1.27 mm Pitch Connectors

勝特力材料 886-3-5753170
 勝特力电子(上海) 86-21-34970699
 勝特力电子(深圳) 86-755-83298787
[Http://www.100y.com.tw](http://www.100y.com.tw)

Outline

PCR series provides bellows-contact type high-density connectors, which can support a wide variety of applications. The PCR is a sister series of PCS series connectors, since accessories such as backshell and termination tool can be shared between the PCR and PCS series.

Features

- Board-to-cable connectors provide a wide variety of contacts, 20 - 96 contacts.
- EMI-filtered design meets FCC and other standards.
- Board-to-board connectors also provide a wide variety of contacts, 20 - 128 contacts.
- Allows live wire connections for power terminals and signal terminals in three stages.
- Backshell with mating guide for preventing short circuit allows parallel mating.
- Best suited for parallel, horizontal, or vertical-stacked connections.

Principal Applications

Office automation equipment, instrumentation equipment, communications equipment, factory automation, etc.

Electrical Characteristics

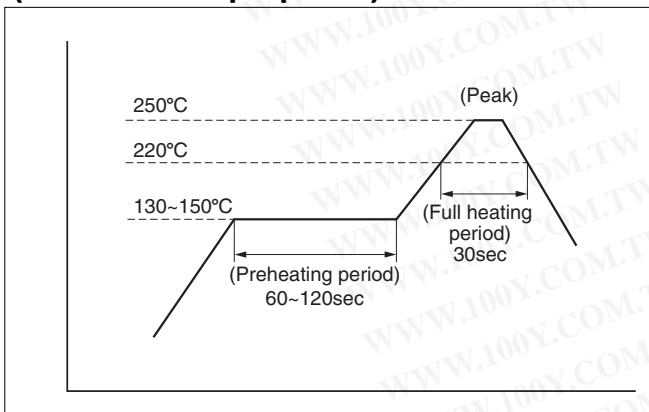
	Board-to-board connector	Board-to-cable connector
Rated voltage	250V AC (r.m.s.)	250V AC (r.m.s.)
Rated current	1 A	1 A
Insulation resistance	Over 1000 megohms at 500V DC	Over 1000 megohms at 250V DC
Dielectric withstanding voltage	750V AC (r.m.s.) for up to one minute	500V AC (r.m.s.) for up to one minute
Contact resistance	35 milliohms or less	35 milliohms or less

Document Disclaimer

- When placing orders with us, minimum order quantities are set for every product.
- Be sure to contact us before starting preliminary design of PCBs using our connectors.
- The specifications and information shown in the catalog are subject to change without notice.

勝特力材料 886-3-5753170
勝特力电子(上海) 86-21-34970699
勝特力电子(深圳) 86-755-83298787
[Http://www.100y.com.tw](http://www.100y.com.tw)

Reflow temperature profile (for reference purposes)



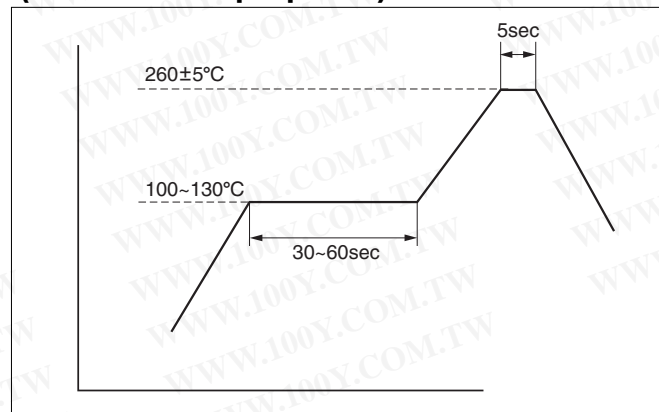
The reflow temperature profile shown in this drawing is for reference purposes. This profile depends on requirements such as reflow equipment, soldering paste, and PCB size. Thus, this profile may not meet with your specific situation. Please evaluate your PCB-mounting soldering and set your own reflow temperature profile.

●Applicable products

PCR-E()MY+

PCR-E()MYSLT

Flow temperature profile (for reference purposes)



The flow temperature profile as shown above is for reference purposes. This profile depends on requirements such as the PCB size. Thus, this profile may not meet with your specific situation. Please evaluate your PCB-mounting soldering and set your own flow temperature profile.

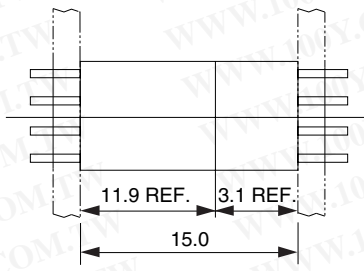
●Applicable products

PCR series through hole type connector

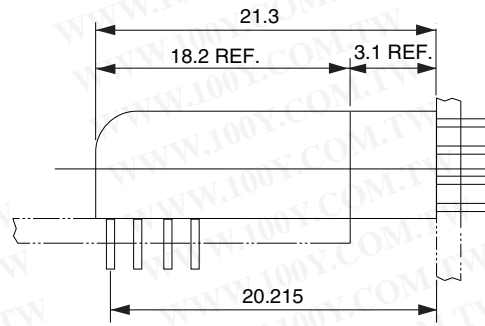
Dimensions in combination of various connectors for reference purposes

Board-to-board connector dimensions for reference purposes

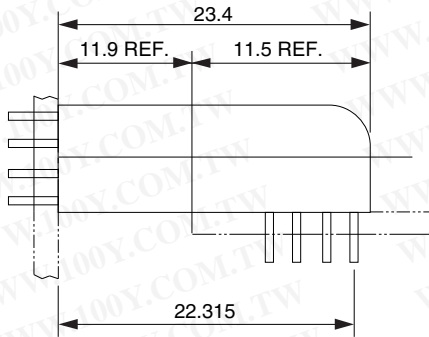
PCR-()MD()+ ↔ PCR-()FD()+



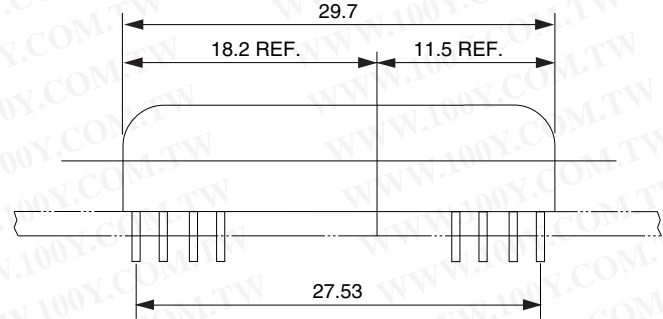
PCR-()LMD()+ ↔ PCR-()FD()+



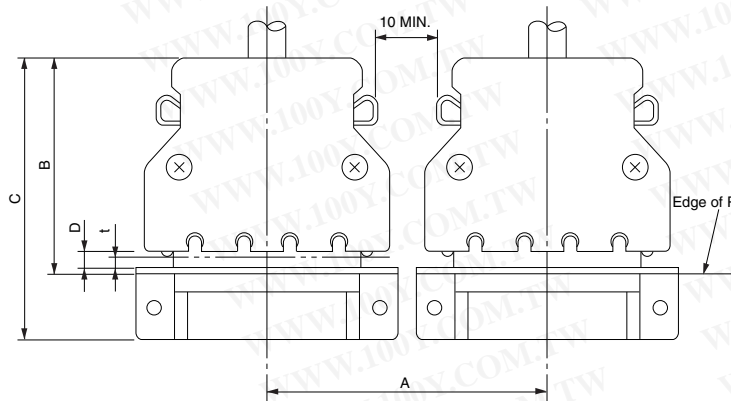
PCR-()MD()+ ↔ PCR-()LFD()+



PCR-()LMD()+ ↔ PCR-()LFD()+



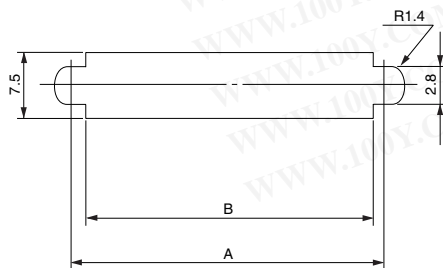
Board-to-cable connector dimensions for reference purposes



PCB-side Connectors: For PCR-E () LMD+

Number of contacts	A	B	C	D	t
20	35 or more	36 or more	46.8 or more	2.7	Thickness of panel t = 1.6 MAX.
28	40 or more				
36	45.1 or more				
50	54 or more				
68	65.4 or more				
96	83.2 or more	41 or more	51.8 or more	3.7	

Panel mounting-hole dimensions for reference purposes



Number of contacts	A	B
20	27.40	23.8
28	32.48	28.9
36	37.56	34.0
50	46.45	42.9
68	57.88	54.6
96	75.66	72.1

Product List



Right-angle through hole type female connector for PCB PCR-()LFD()+

B-78
PCR series...6



Straight through hole type female connector for PCB PCR-()FD()+

B-79
PCR series...7



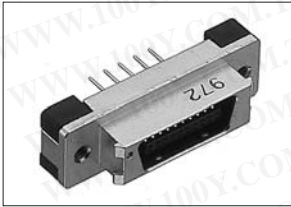
Right-angle through hole type male connector for PCB PCR-()LMD()+

B-80
PCR series...8



Straight through hole type male connector for PCB PCR-()MD()+

B-81
PCR series...9



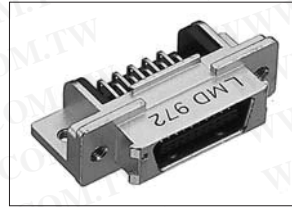
Straight through hole type male connector for PCB PCR-E()MD+

B-82
PCR series...10



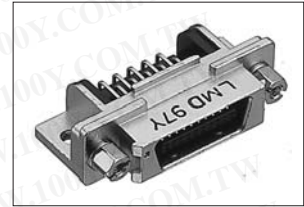
Straight through hole type male connector for PCB (with screw lock) PCR-E()MD-SL+

B-83
PCR series...11



Right-angle through hole type male connector for PCB PCR-E()LMD()+

B-84
PCR series...12



Right-angle through hole type male connector for PCB (with screw lock) PCR-E()LMD-SL+

B-85
PCR series...13



Cable-side IDC type female connector PCR-E()F()+

B-86
PCR series...14



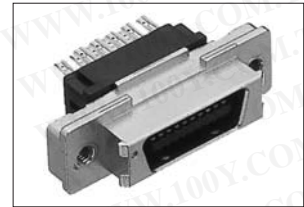
Cable-side soldering type female connector PCR-E()FS+

B-87
PCR series...15



Cable-side IDC type male connector for mounting on a panel PCR-E()PM()

B-88
PCR series...16



Cable-side soldering type male connector for mounting on a panel PCR-E()PMRS+

B-89
PCR series...17



Cable-side soldering type male connector for mounting on a panel (with screw lock) PCR-E()PMRS-SL+

B-90
PCR series...18



Straight SMT type male connector for PCB PCR-E()MY+

B-91
PCR series...19



Straight SMT type male connector for PCB (with screw lock) PCR-E()MY-SL+

B-92
PCR series...20



Right-angle SMT type male connector for PCB PCR-E()LMY+

B-93
PCR series...21



Right-angle SMT type male connector for PCB (with screw lock) PCR-E()LMY-SL+

B-94
PCR series...22



Cable-side soldering type female connector PCR-S()FS+

B-95
PCR series...23



Vertical type plastic backshell for cable extension PCR-S()PMLA2+S

B-96
PCR series...24



Vertical type plastic backshell (without screw lock) PCR-V20L()

B-97
PCR series...25



Vertical type plastic backshell
(with screw lock)
PCR-LS()LA()

B-98
PCR series...26



Vertical type plastic backshell
(without screw lock)
PCR-S20LA

B-99
PCR series...27

勝特力材料 886-3-5753170
勝特力电子(上海) 86-21-34970699
勝特力电子(深圳) 86-755-83298787
[Http://www.100y.com.tw](http://www.100y.com.tw)

Right-angle through hole type female connector for PCB PCR-()LFD()+

1.27 mm pitch connector

For PCB

Right-angle Through hole

RoHS



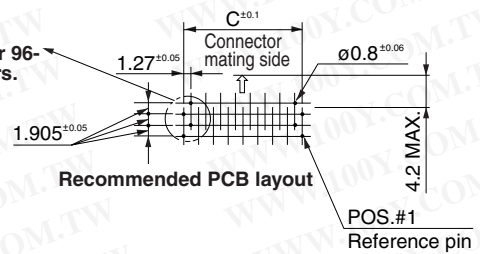
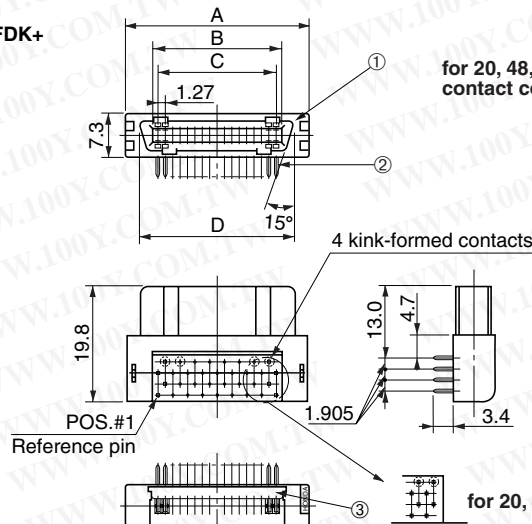
● Configuration of product Part No.

PCR-() LFD ()+

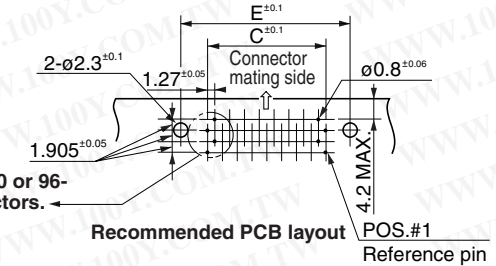
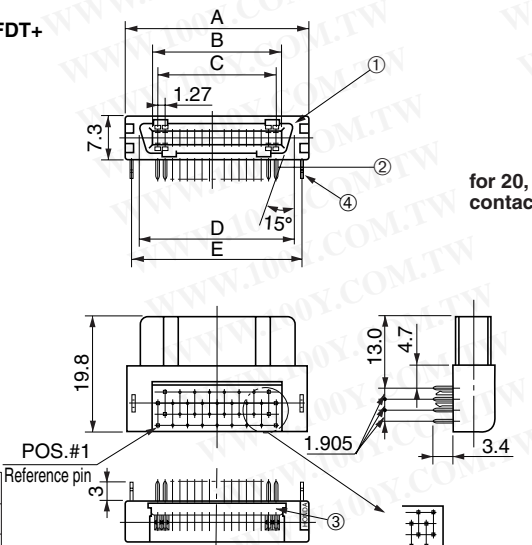
① ② ③ ④

- ① Series name
- ② No. of contacts: 20, 34, 48, 68, 80, 96 or 128
- ③ Type of connector
LFD: Right-angle through hole type, female
- ④ Board lock
K: With kink formed contacts
T: With board lock pins

PCR-()LFDK+



PCR-()LFDT+



● Components

- ① Insulator
- ② Female contacts
- ③ Bracket
- ④ Board lock pins

● Dimensions

Part No.	A	B	C	D	E
PCR-20LFD()+	22.74	13.34	11.43	17.94	20.32
PCR-34LFD()+	31.63	22.23	20.32	26.83	29.21
PCR-48LFD()+	40.52	31.12	29.21	35.72	38.10
PCR-68LFD()+	53.22	43.82	41.91	48.42	50.80
PCR-80LFD()+	60.84	51.44	49.53	56.04	58.42
PCR-96LFD()+	71.00	61.60	59.69	66.20	68.58
PCR-128LFD()+	91.32	81.92	80.01	86.52	88.90

*Note: PCR-80LFDK+ or PCR-128LFDT+ products are under consideration.

Mating connectors: PCR-()MD()+, PCR-()LMD()+

Straight through hole type female connector for PCB
PCR-()FD()+

For PCB

Straight Through hole

RoHS

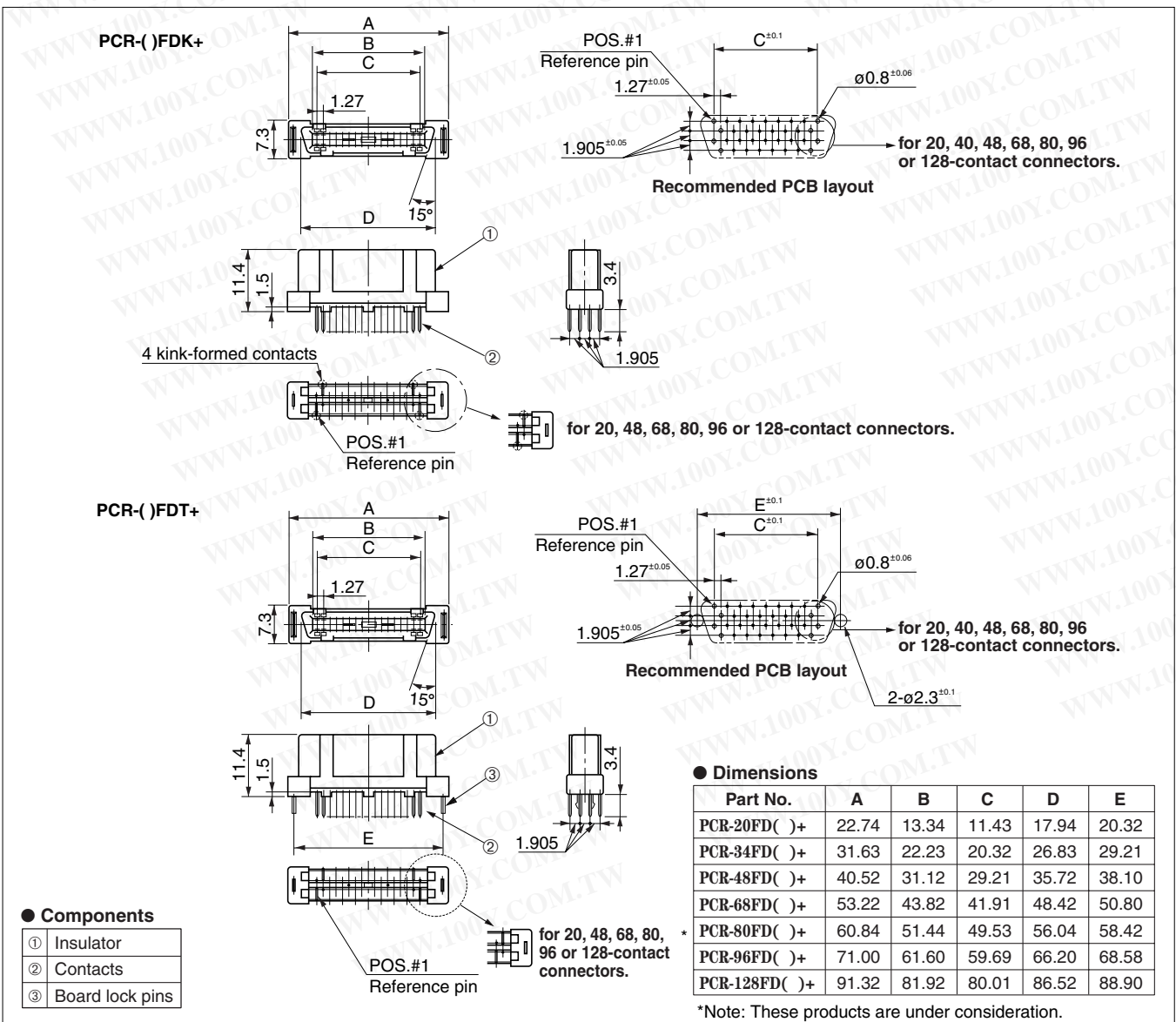


● Configuration of product Part No.

PCR- () FD () +

① ② ③ ④

- ① Series name
- ② No. of contacts: 20, 34, 48, 68, 80, 96 or 128
- ③ Type of connector
FD: Straight through hole type, female
- ④ Board lock
K: With kink-formed
T: With board lock pins contacts



Mating connectors: PCR-()MD()+, PCR-()LMD()+

Right-angle through hole type male connector for PCB PCR-()LMD()+

1.27 mm pitch connector

For PCB

Right-angle Through hole

RoHS



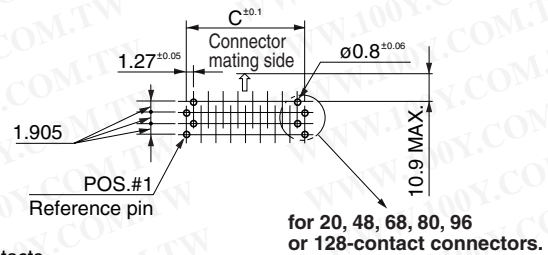
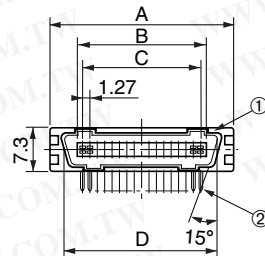
● Configuration of product Part No.

PCR- () LMD ()+

① ② ③ ④

- ① Series name
- ② No. of contacts: 20, 34, 48, 68, 80, 96 or 128
- ③ Type of connector
LMD: Right-angle through hole type, male
- ④ Board lock
K: With kink formed contacts
T: With board lock pins

PCR-()LMDK+

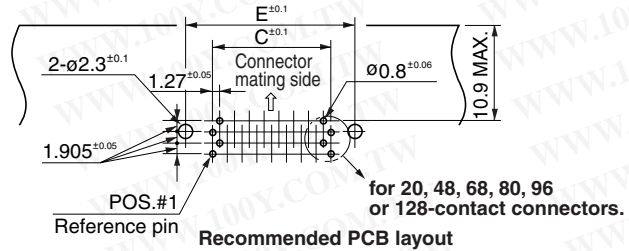
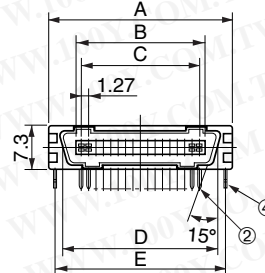


4 kink-formed contacts

Recommended PCB layout

for 20, 48, 68, 80, 96 or 128-contact connectors.

PCR-()LMDT+



4 kink-formed contacts

Recommended PCB layout

for 20, 48, 68, 80, 96 or 128-contact connectors.

● Components

①	Insulator
②	contacts
③	Bracket
④	Board lock pins

● Dimensions

Part No.	A	B	C	D	E
PCR-20LMD()+	22.74	13.14	11.43	18.14	20.32
PCR-34LMD()+	31.63	22.03	20.32	27.03	29.21
*2 PCR-48LMD()+	40.52	30.92	29.21	35.92	38.10
PCR-68LMD()+	53.22	43.62	41.91	48.62	50.80
*1 PCR-80LMD()+	60.84	51.24	49.53	56.24	58.42
PCR-96LMD()+	71.00	61.40	59.69	66.40	68.58
*2 PCR-128LMD()+	91.32	81.72	80.01	86.72	88.90

*Note 1: These products are under consideration.

*Note 2: PCR-48LMDT+ or PCR-128LMDT+ products are under consideration.

Mating connectors: PCR-()FD()+, PCR-()LFD()+

勝特力材料 886-3-5753170
 勝特力电子(上海) 86-21-34970699
 勝特力电子(深圳) 86-755-83298787
[Http://www.100y.com.tw](http://www.100y.com.tw)

Straight through hole type male connector for PCB
PCR-()MD()+

For PCB

Straight Through hole

RoHS

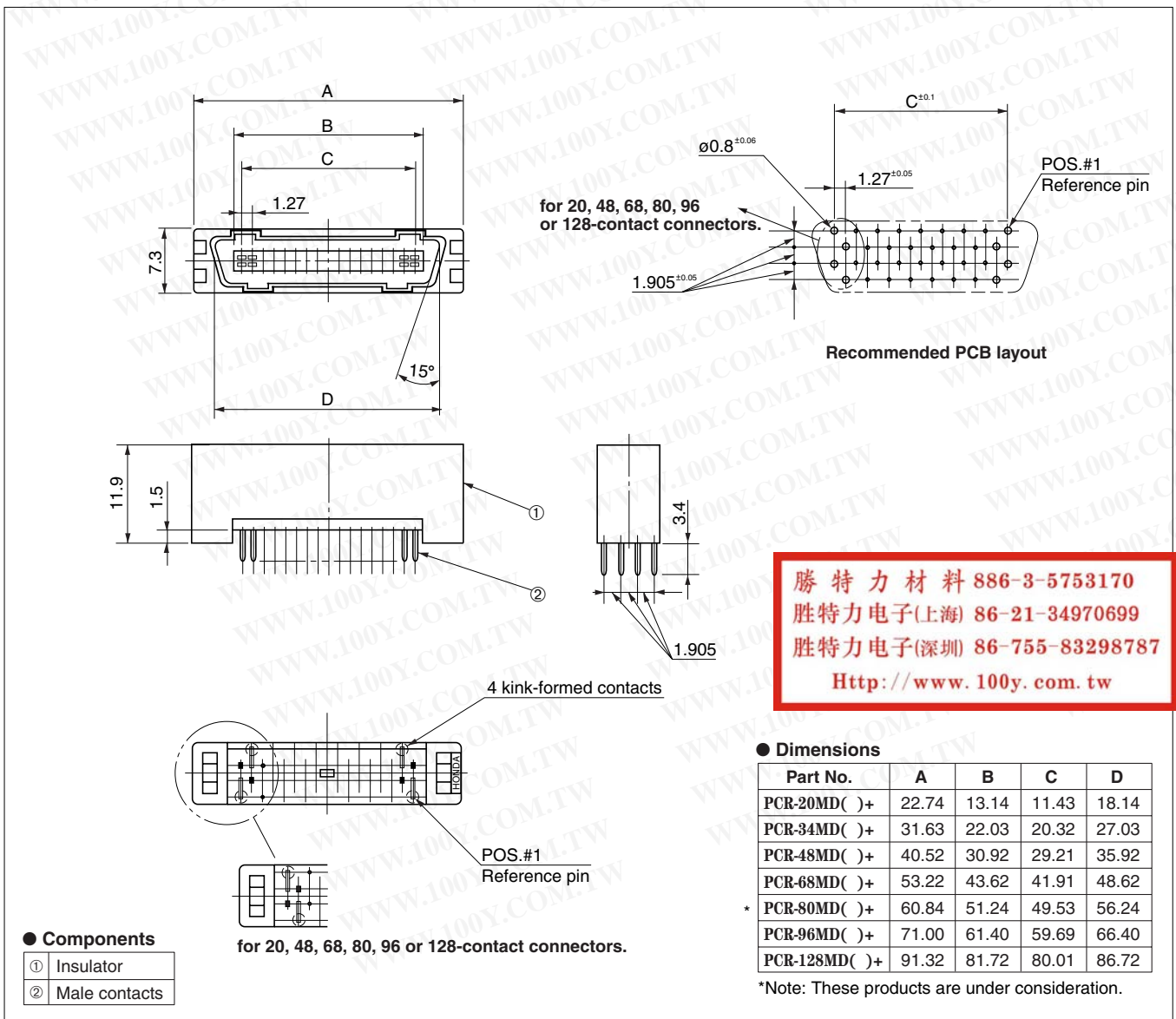


● Configuration of product Part No.

PCR- () MD ()+

① ② ③ ④

- ① Series name
- ② No. of contacts: 20, 34, 48, 68, 80, 96 or 128
- ③ Type of connector
MD: Straight through hole type, male
- ④ Board lock
K: With kink-formed contacts



Mating connectors: PCR-()FD()+, PCR-()LFD()+

Straight through hole type male connector for PCB PCR-E()MD+

1.27 mm pitch connector

For PCB

Straight Through hole

EMI-filtered

RoHS



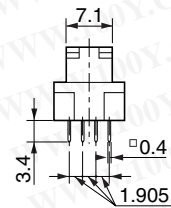
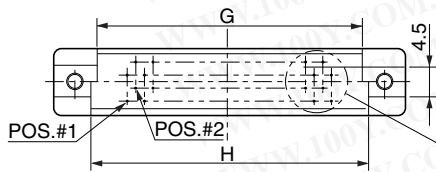
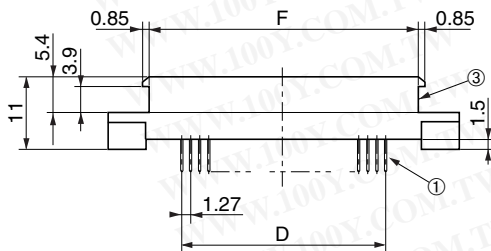
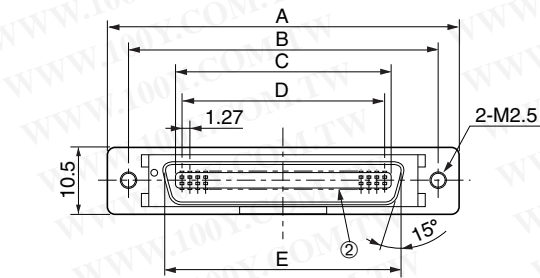
● Configuration of product Part No.

PCR-E () MD+

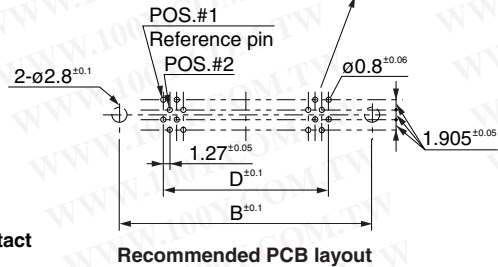
① ② ③

- ① Series name
- ② No. of contacts: 20, 28, 36, 50, 68, 80 or 96
- ③ Type of connector
MD: Straight through hole type, male

勝特力材料 886-3-5753170
 勝特力电子(上海) 86-21-34970699
 勝特力电子(深圳) 86-755-83298787
[Http://www.100y.com.tw](http://www.100y.com.tw)



Except 50-contact connector



● Dimensions

Part No.	A	B	C	D	E	F	G	H
PCR-E20MD+	33.40	27.40	13.20	11.43	16.45	21.60	20.43	22.43
PCR-E28MD+	38.48	32.48	18.28	16.51	21.53	26.68	25.51	27.51
PCR-E36MD+	43.56	37.56	23.36	21.59	26.61	31.76	30.59	32.59
PCR-E50MD+	52.45	46.45	32.25	30.48	35.50	40.65	39.48	41.48
PCR-E68MD+	63.88	57.88	43.68	41.91	46.93	52.08	50.91	52.91
PCR-E80MD+	71.50	65.50	51.30	49.53	54.55	59.70	58.53	60.53
PCR-E96MD+	81.66	75.66	61.46	59.69	64.71	69.86	68.69	70.69

● Components

①	Contacts
②	Insulator
③	Shell

Mating connectors: PCR series cable-side IDC type female connector

PCR series cable-side soldering type female connector

Accessories: Dust-proof cap, PCS-E()C

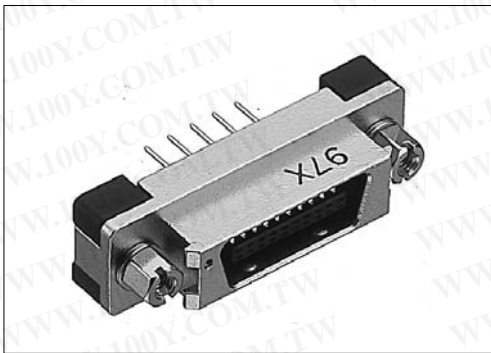
**Straight through hole type male connector for PCB
(with screw lock)
PCR-E()MD-SL+**

For PCB

Straight Through hole

RoHS

EMI-filtered



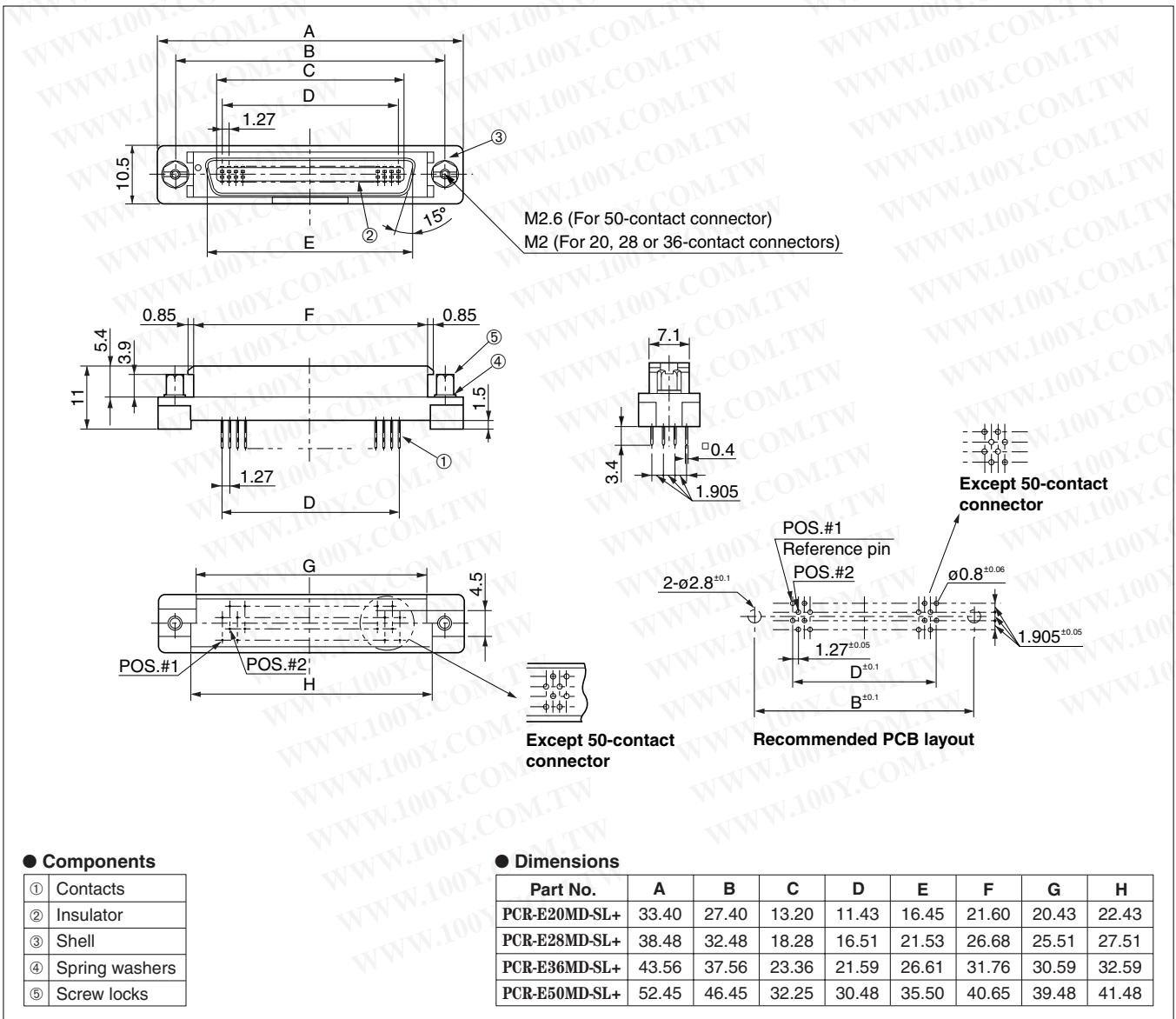
● Configuration of product Part No.

PCR-E () MD- SL+

① ② ③ ④

- ① Series name
- ② No. of contacts: 20, 28, 36, or 50
- ③ Type of connector
MD: Straight through hole type, male
- ④ With screw locks

勝特力材料 886-3-5753170
 勝特力电子(上海) 86-21-34970699
 勝特力电子(深圳) 86-755-83298787
[Http://www.100y.com.tw](http://www.100y.com.tw)



Mating connectors: PCR series cable-side IDC type female connector

PCR series cable-side soldering type female connector

Accessories: Dust-proof cap, PCS-E()C

Right-angle through hole type male connector for PCB PCR-E()LMD()+

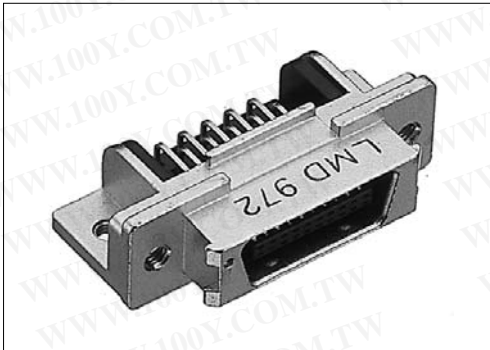
1.27 mm pitch connector

For PCB

Right-angle Through hole

EMI-filtered

RoHS

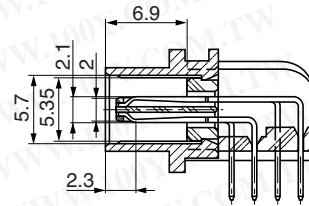
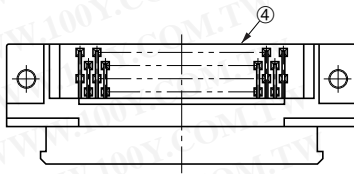


● Configuration of product Part No.

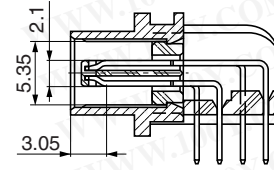
PCR-E () LMD ()+

① ② ③ ④

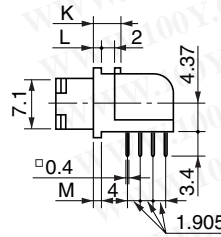
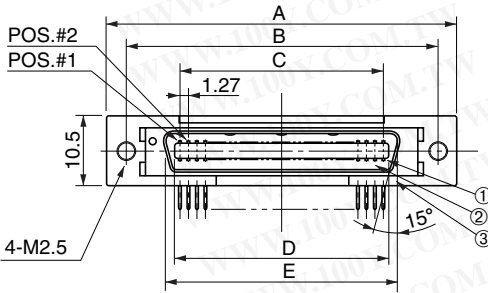
- ① Series name
- ② No. of contacts: 20, 28, 36, 50, 68 or 96
- ③ Type of connector
LMD: Right-angle through hole type, male connector
- ④ Thickness of panel
Blank: t = 1.6 mm MAX.
A : t = 2.1 mm MAX.
B : t = 2.1 mm MAX., electrostatic noise resistant (ESD resistant)
C : t = 1.6 mm MAX., electrostatic noise resistant (ESD resistant)



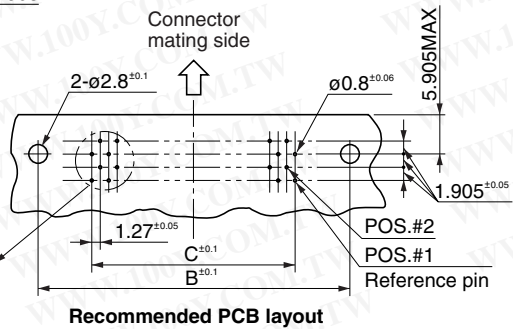
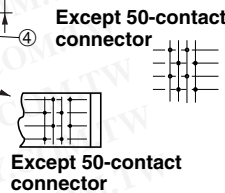
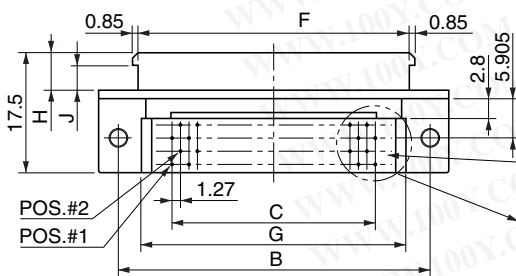
Form I contacts



Form II contacts



勝特力材料 886-3-5753170
 勝特力电子(上海) 86-21-34970699
 勝特力电子(深圳) 86-755-83298787
[Http://www.100y.com.tw](http://www.100y.com.tw)



● Dimensions

Part No.	A	B	C	D	E	F	G
PCR-E20LMD()+	33.40	27.40	11.43	13.20	16.45	21.60	20.23
PCR-E28LMD()+	38.48	32.48	16.51	18.28	21.53	26.68	25.31
PCR-E36LMD()+	43.56	37.56	21.59	23.36	26.61	31.76	30.39
PCR-E50LMD()+	52.45	46.45	30.48	32.25	35.50	40.65	39.28
PCR-E68LMD()+	63.88	57.88	41.91	43.68	46.93	52.08	50.71
PCR-E96LMD()+	81.66	75.66	59.69	61.46	64.71	69.86	68.49

● Components

①	Contacts
②	Insulator
③	Shell
④	Bracket

Part No.	H	J	K	L	M	Contact length	Panel thickness
PCR-E()LMD+	5.4	3.9	4.1	1.3	1.3	Refer to Form I contacts	1.6mm MAX.
PCR-E()LMDA+	5.9	4.4	3.6	0.8	0.8	Refer to Form II contacts	2.1mm MAX.
PCR-E()LMDB+							1.6mm MAX.
PCR-E()LMDC+	5.4	3.9	4.1	1.3	1.3		1.6mm MAX.

Mating connectors: PCR series cable-side IDC type female connector

PCR series cable-side soldering type female connector

Accessories: Dust-proof cap, PCS-E()C

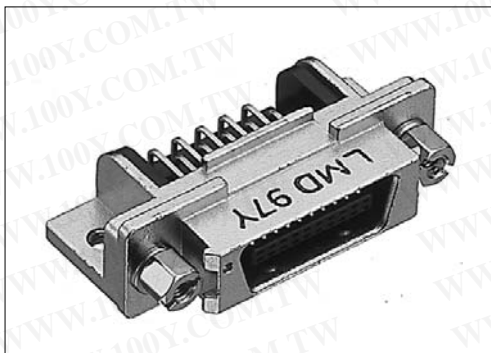
**Right-angle through hole type male connector for PCB
(with screw lock)
PCR-E()LMD-SL+**

For PCB

Right-angle Through hole

RoHS

EMI-filtered



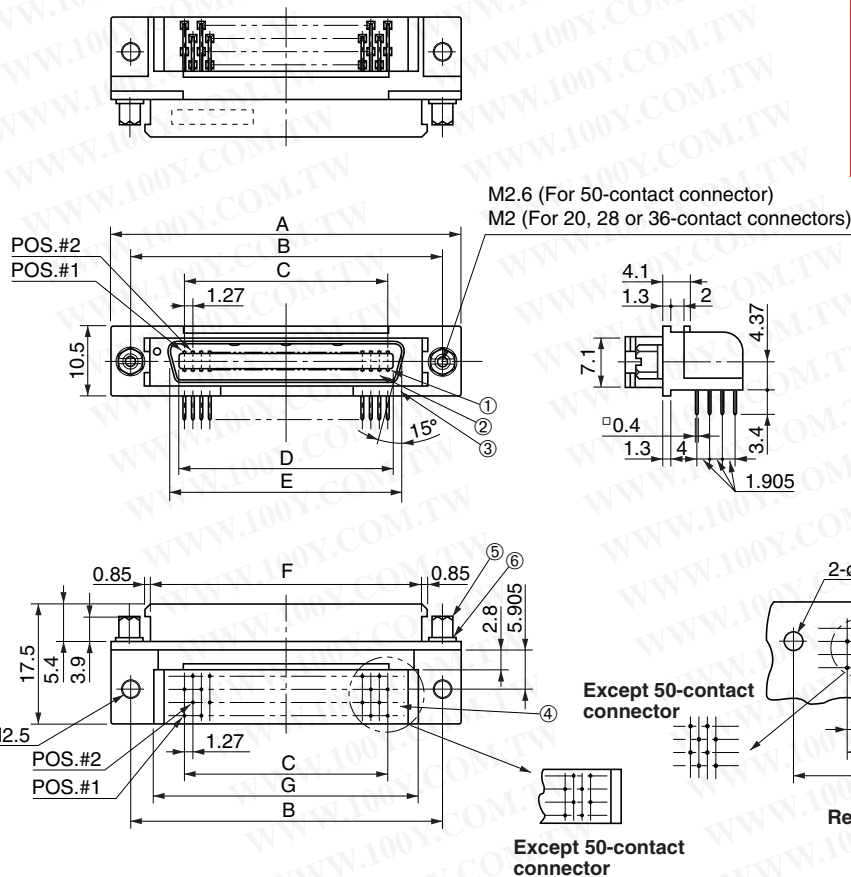
● Configuration of product Part No.

PCR-E () LMD- SL+

① ② ③ ④

- ① Series name
- ② No. of contacts: 20, 28, 36 or 50
- ③ Type of connector
LMD: Right-angle through hole type, male connector
- ④ With screw locks

勝特力材料 886-3-5753170
 勝特力电子(上海) 86-21-34970699
 勝特力电子(深圳) 86-755-83298787
[Http://www.100y.com.tw](http://www.100y.com.tw)



● Components

①	Contacts
②	Insulator
③	Shell
④	Bracket
⑤	Screw locks
⑥	Spring washers

● Dimensions

Part No.	A	B	C	D	E	F	G
PCR-E20LMD-SL+	33.40	27.40	11.43	13.20	16.45	21.60	20.23
PCR-E28LMD-SL+	38.48	32.48	16.51	18.28	21.53	26.68	25.31
PCR-E36LMD-SL+	43.56	37.56	21.59	23.36	26.61	31.76	30.39
PCR-E50LMD-SL+	52.45	46.45	30.48	32.25	35.50	40.65	39.28

Mating connectors: PCR series cable-side IDC type female connector

PCR series cable-side soldering type female connector

Accessories: Dust-proof cap, PCS-E()C

Cable-side IDC type female connector
PCR-E()F()+

1.27 mm pitch connector

For cable

IDC

RoHS

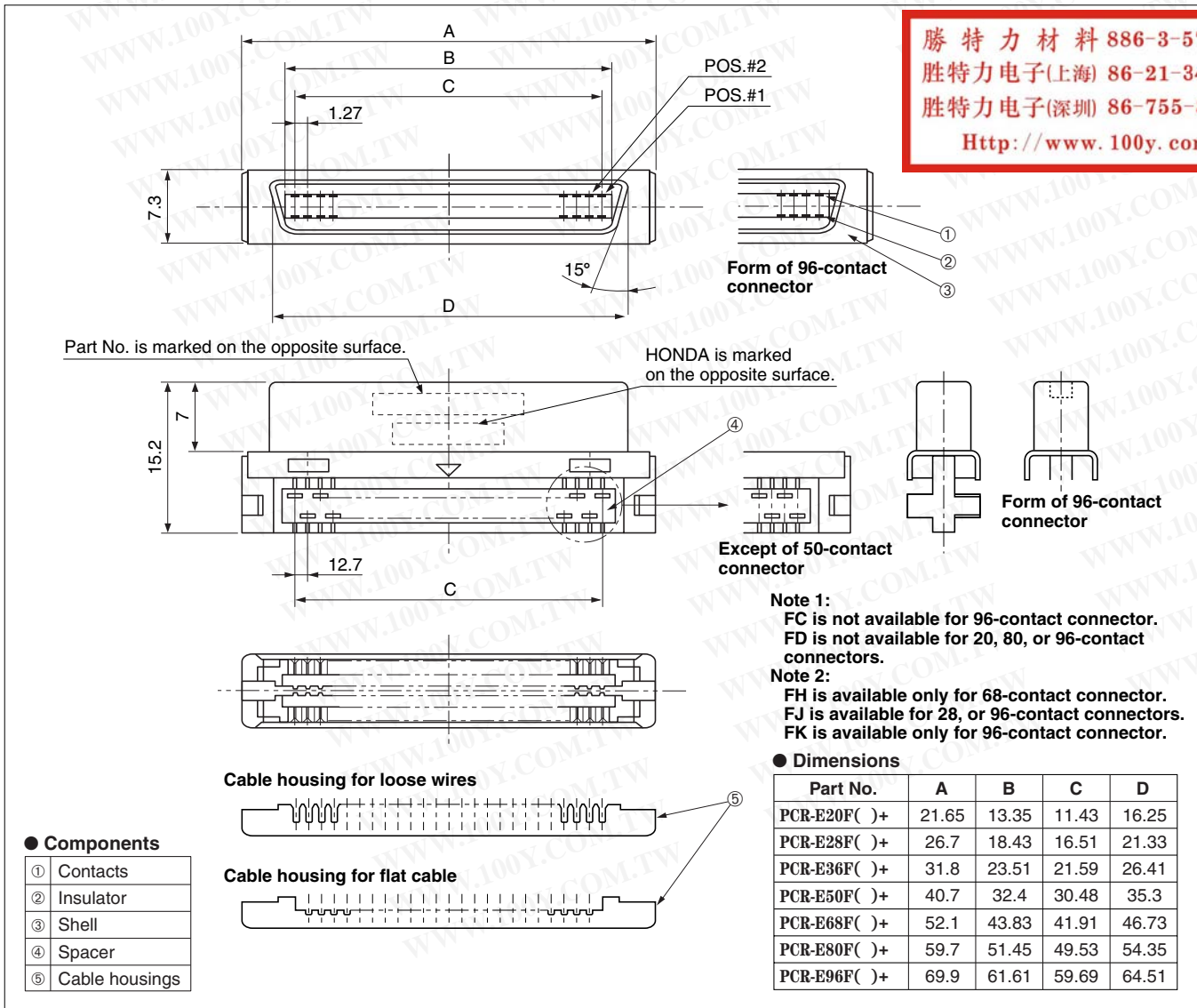


● Configuration of product Part No.

PCR-E () F()+

① ② ③

- ① Series name
- ② No. of contacts: 20, 28, 36, 50, 68, 80, or 96
- ③ Cable sizes for reference purposes (In case the cable sheath is made of PVC resin)
 - F : AWG#28(7 / 0.127) or AWG#30(1 / 0.254). Outside diameter of wire is 0.8-1 mm. For loose wire.
 - FA : AWG#28(7 / 0.127) or AWG#30(1 / 0.254). Outside diameter of wire is 0.5-0.65 mm. For loose wire.
 - FB : AWG#30(7 / 0.1). Outside diameter of wire is 0.5-0.65 mm. For loose wire.
 - FC : AWG#28(7 / 0.127) or AWG#30(1 / 0.254). For flat cable, t = 1.0 mm MAX. (See Note #1)
 - FD : AWG#30(7 / 0.1). For flat cable, t = 1.0 mm MAX. (See Note #1)
 - FH : AWG#32(7 / 0.08). Outside diameter of wire is 0.35-0.5 mm. For loose wire. (See Note #2)
 - FJ : AWG#28(7 / 0.127) or AWG#30(1 / 0.254). Outside diameter of wire is 0.65-0.8 mm. For loose wire. (See Note #2)
 - FK : AWG#30(7 / 0.1). Outside diameter of wire is 0.65-0.8 mm. For loose wire. (See Note #2)



Mating connectors: PCR-E series PCB-side right-angle through hole type or SMT type connector

PCR-E series PCB-side straight through hole type or SMT type connector

Tool: (Refer to page Tool-12)

Cable-side soldering type female connector
PCR-E () FS+

For cable

Soldering

RoHS

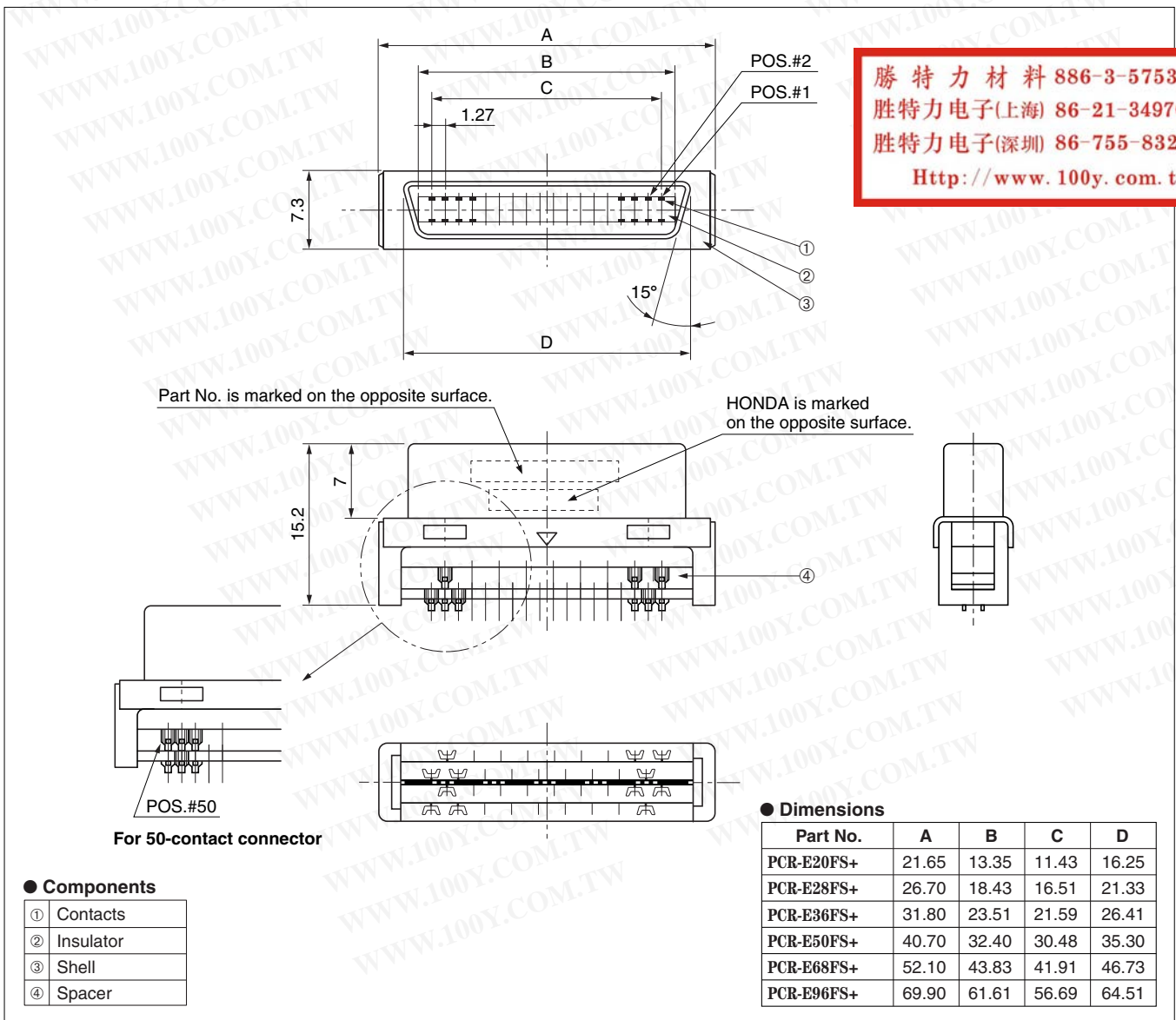


● Configuration of product Part No.

PCR-E () FS+

① ② ③

- ① Series name
- ② No. of contacts: 20, 28, 36, 50, 68 or 96
- ③ Type of connector
FS: Soldering type, female, AWG#20 MAX.



勝特力材料 886-3-5753170
 勝特力电子(上海) 86-21-34970699
 勝特力电子(深圳) 86-755-83298787
[Http://www.100y.com.tw](http://www.100y.com.tw)

Mating connectors: PCR-E series PCB-side right-angle through hole type or SMT type connector
 PCR-E series PCB-side straight through hole type or SMT type connector

**Cable-side IDC type male connector
for mounting on a panel**
PCR-E()PM()

RoHS

1.27 mm pitch connector

For panel

IDC

EMI-filtered

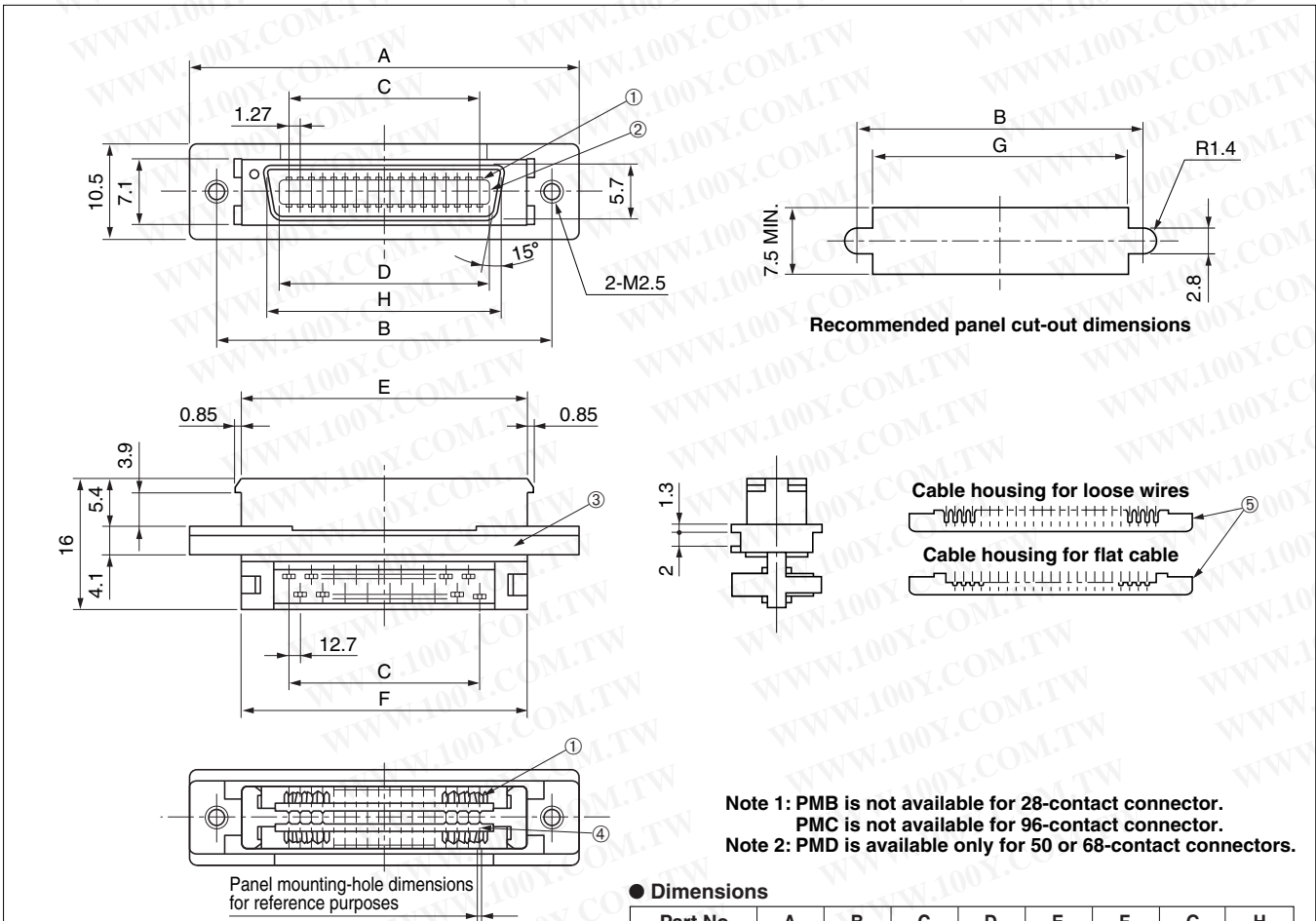


● Configuration of product Part No.

PCR-E () PM ()

① ② ③ ④

- ① Series name
- ② No. of contacts: 20, 28, 36, 50, 68 or 96
- ③ Type of connector: Panel mount type, male
- ④ Cable sizes for reference purposes (In case the cable sheath is made of PVC resin)
 PM : AWG#28(7 / 0.127) or AWG#30(1 / 0.254). Outside diameter of wire is 0.8-1 mm. For loose wire.
 PMA: AWG#28(7 / 0.127) or AWG#30(1 / 0.254). Outside diameter of wire is 0.5-0.65 mm. For loose wire.
 PMB: AWG#30(7 / 0.1). Outside diameter of wire is 0.5-0.65 mm. For loose wire. (See Note #1)
 PMC: AWG#28(7 / 0.127) or AWG#30(1 / 0.254). IDC for fusible cable. (See Note #1)
 PMD: AWG#30(7 / 0.1). IDC for fusible cable. (See Note #2)



**Note 1: PMB is not available for 28-contact connector.
 PMC is not available for 96-contact connector.
 Note 2: PMD is available only for 50 or 68-contact connectors.**

● Components

①	Contacts
②	Insulator
③	Shell
④	Spacer
⑤	Cable housings

● Dimensions

Part No.	A	B	C	D	E	F	G	H
PCR-E20PM()	33.40	27.40	11.43	13.20	21.60	21.65	23.80	16.45
PCR-E28PM()	38.48	32.48	16.51	18.28	26.68	26.70	28.90	21.53
PCR-E36PM()	43.56	37.56	21.59	23.36	31.76	31.80	34.00	26.61
PCR-E50PM()	52.45	46.45	30.48	32.25	40.65	40.70	42.90	35.50
PCR-E68PM()	63.88	57.88	41.91	43.68	52.08	52.10	54.60	46.93
PCR-E96PM()	81.66	75.66	59.69	61.46	69.86	69.90	72.10	64.71

Mating connectors: PCR series cable-side IDC type or soldering type female connector

Accessories: Dust-proof cap, PCS-E()C

Tool: (Refer to page Tool-12)

Cable-side soldering type male connector
for mounting on a panel
PCR-E()PMRS+

For panel

Soldering

EMI-filtered

RoHS

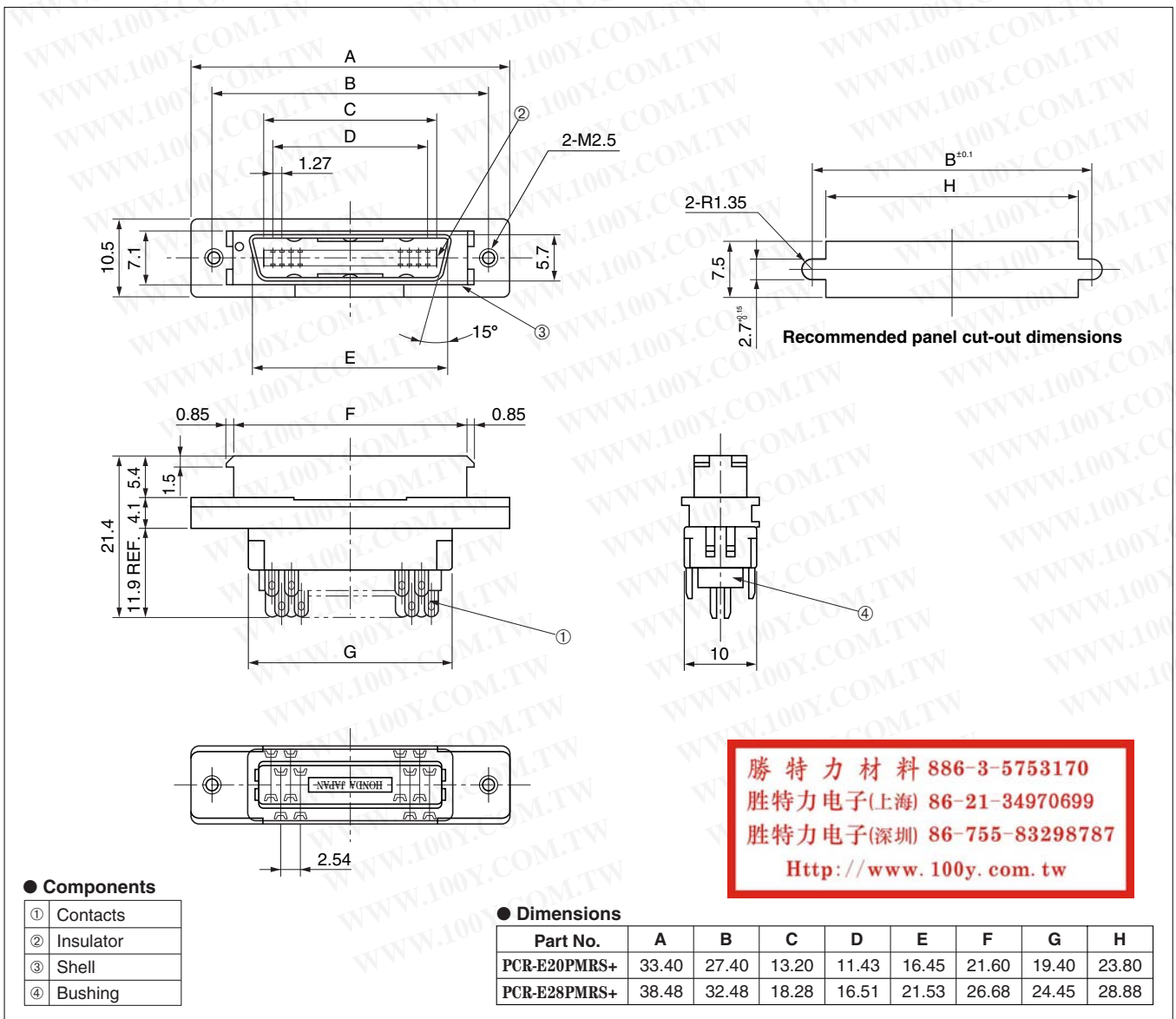


● Configuration of product Part No.

PCR-E () PMRS+

① ② ③

- ① Series name
- ② No. of contacts: 20 or 28
- ③ Type of connector: Panel mount type, male
Outside diameter of wire is 2.2 mm MAX.



● Components

①	Contacts
②	Insulator
③	Shell
④	Bushing

● Dimensions

Part No.	A	B	C	D	E	F	G	H
PCR-E20PMRS+	33.40	27.40	13.20	11.43	16.45	21.60	19.40	23.80
PCR-E28PMRS+	38.48	32.48	18.28	16.51	21.53	26.68	24.45	28.88

勝特力材料 886-3-5753170
 勝特力电子(上海) 86-21-34970699
 勝特力电子(深圳) 86-755-83298787
[Http://www.100y.com.tw](http://www.100y.com.tw)

Mating connectors: PCR series cable-side IDC type or soldering type female connector

Accessories: Dust-proof cap, PCS-E()C

Cable-side soldering type male connector for mounting on a panel (with screw lock)
PCR-E()PMRS-SL+

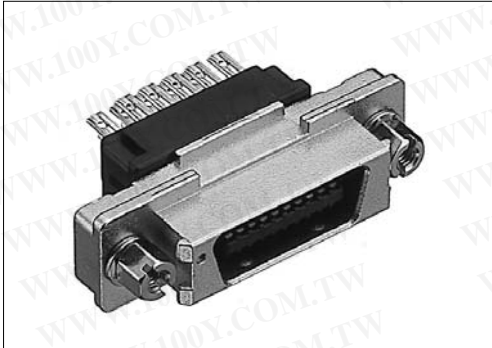
RoHS

1.27 mm pitch connector

For panel

Soldering

EMI-filtered



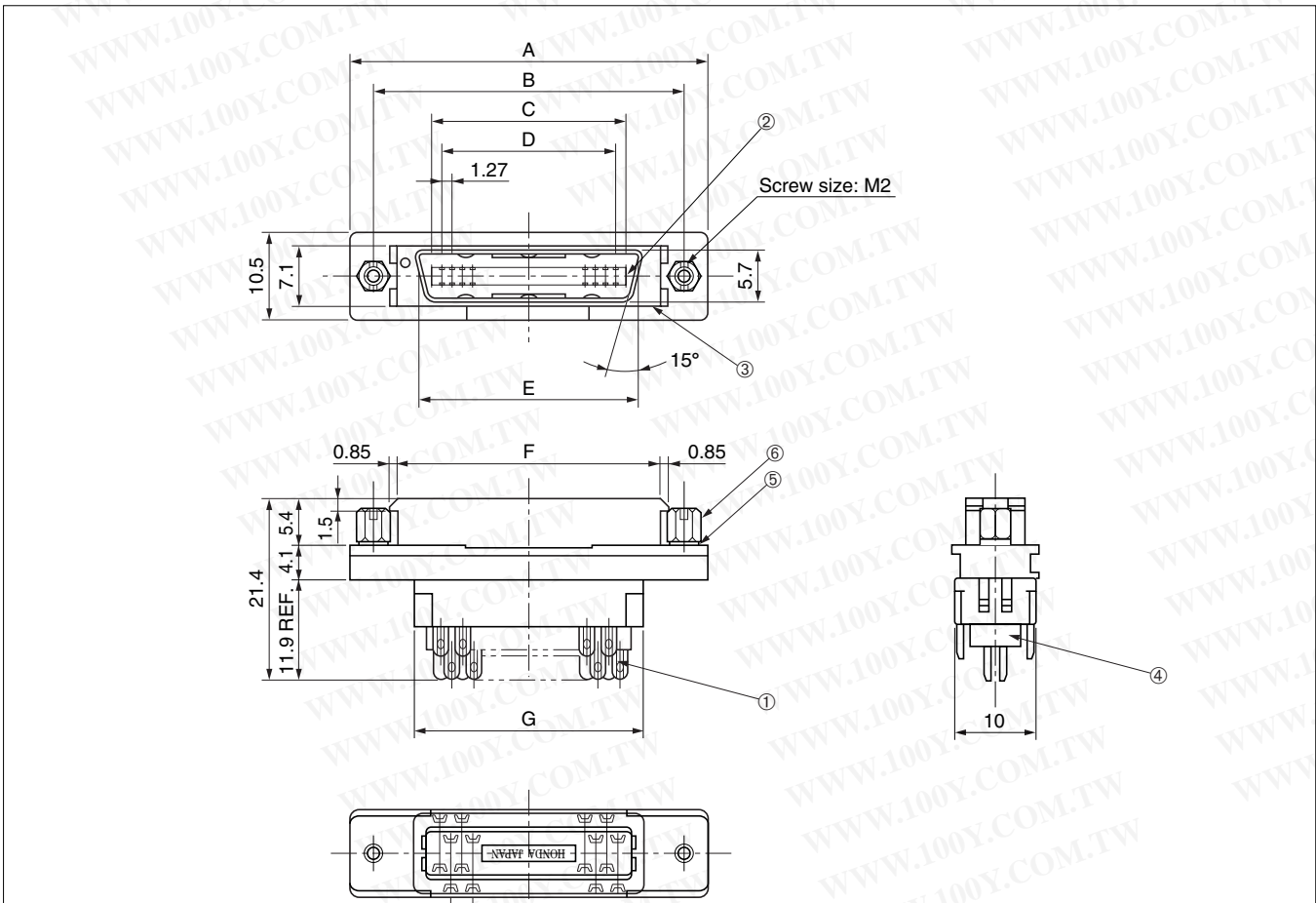
● Configuration of product Part No.

PCR-E () PMRS- SL+

① ② ③ ④

- ① Series name
- ② No. of contacts: 20 or 28
- ③ Type of connector: Panel mount type, male
Outside diameter of wire is 2.2 mm MAX.
- ④ With screw locks

勝特力材料 886-3-5753170
 胜特力电子(上海) 86-21-34970699
 胜特力电子(深圳) 86-755-83298787
[Http://www.100y.com.tw](http://www.100y.com.tw)



● Components

①	Contacts
②	Insulator
③	Shell
④	Bushing
⑤	Spring washers
⑥	Screw locks

● Dimensions

Part No.	A	B	C	D	E	F	G
PCR-E20PMRS-SL+	33.40	27.40	13.20	11.43	16.45	21.60	19.40
PCR-E28PMRS-SL+	38.48	32.48	18.28	16.51	21.53	26.68	24.45

Mating connectors: PCR series cable-side IDC type or soldering type female connector

Accessories: Dust-proof cap, PCS-E()C

**Straight SMT type male connector for PCB
PCR-E()MY+**

1.27 mm pitch connector

For PCB

Straight SMT

EMI-filtered

RoHS

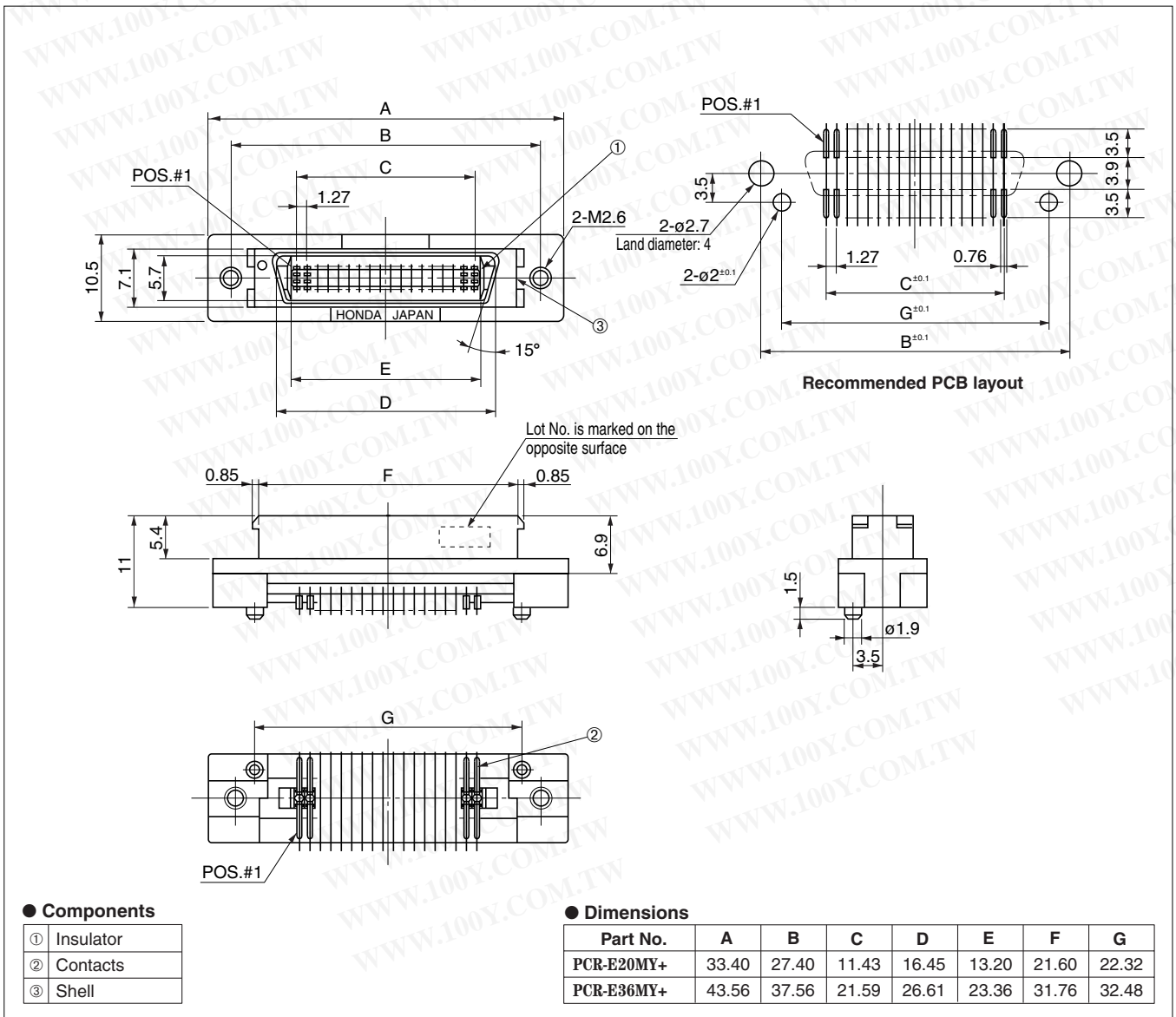


● Configuration of product Part No.

PCR-E () MY+

① ② ③

- ① Series name
- ② No. of contacts: 20 or 36
- ③ Type of connector
MY: Straight SMT type, male



Mating connectors: PCR series cable-side IDC type or soldering type female connector

Accessories: Dust-proof cap, PCS-E()CP

**Straight SMT type male connector for PCB
(with screw lock)
PCR-E()MY-SL+**

RoHS

1.27 mm pitch connector

For PCB

Straight SMT

EMI-filtered



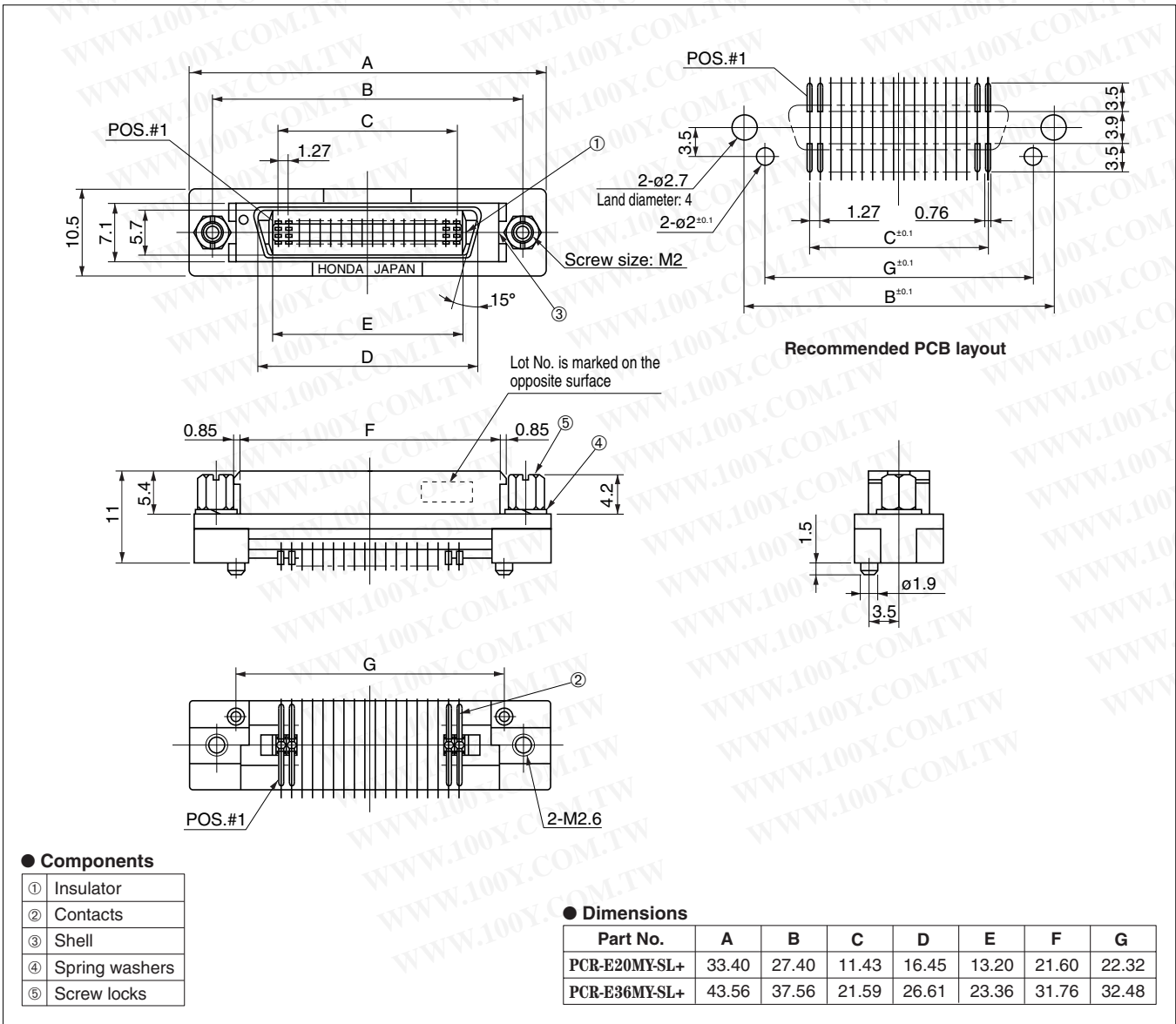
● Configuration of product Part No.

PCR-E () MY- SL+

① ② ③ ④

- ① Series name
- ② No. of contacts: 20 or 36
- ③ Type of connector
MY: Straight SMT type, male
- ④ With screw locks

勝特力材料 886-3-5753170
 勝特力电子(上海) 86-21-34970699
 勝特力电子(深圳) 86-755-83298787
[Http://www.100y.com.tw](http://www.100y.com.tw)



Mating connectors: PCR series cable-side IDC type or soldering type female connector

Accessories: Dust-proof cap, PCS-E()CP

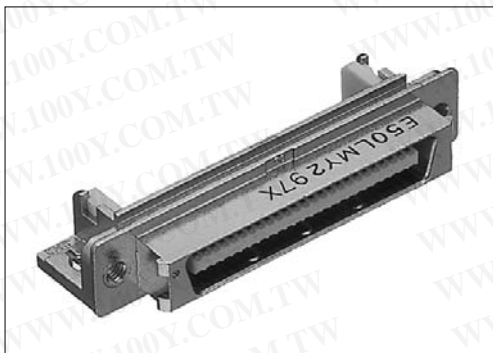
Right-angle SMT type male connector for PCB
PCR-E() LMY+

For PCB

Right-angle SMT

RoHS

EMI-filtered



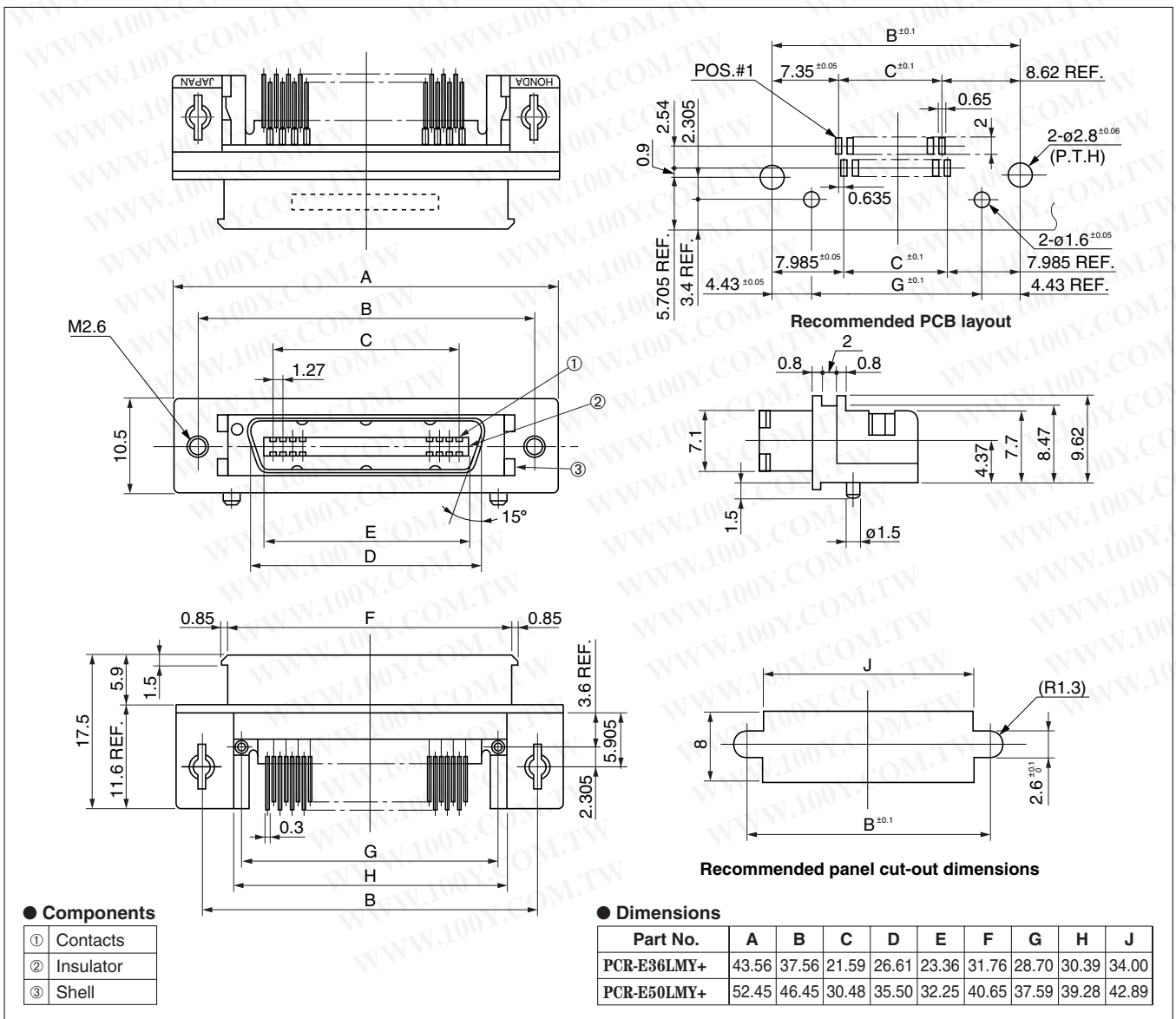
● Configuration of product Part No.

PCR-E () LMY+

① ② ③

- ① Series name
- ② No. of contacts: 36 or 50
- ③ Type of connector
LMY: Right-angle SMT type, male

勝特力材料 886-3-5753170
 勝特力电子(上海) 86-21-34970699
 勝特力电子(深圳) 86-755-83298787
[Http://www.100y.com.tw](http://www.100y.com.tw)



Mating connectors: PCR series cable-side IDC type or soldering type female connector

Accessories: Dust-proof cap, PCS-E()CP

**Right-angle SMT type male connector for PCB
(with screw lock)
PCR-E() LMY-SL+**

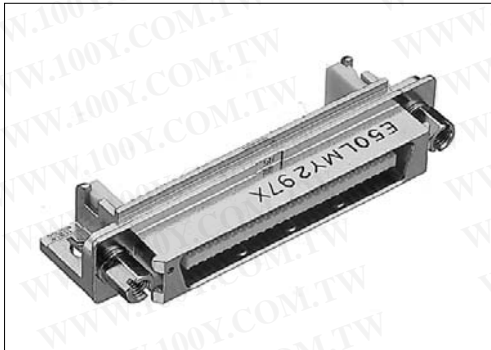
1.27 mm pitch connector

For PCB

Right-angle SMT

EMI-filtered

RoHS



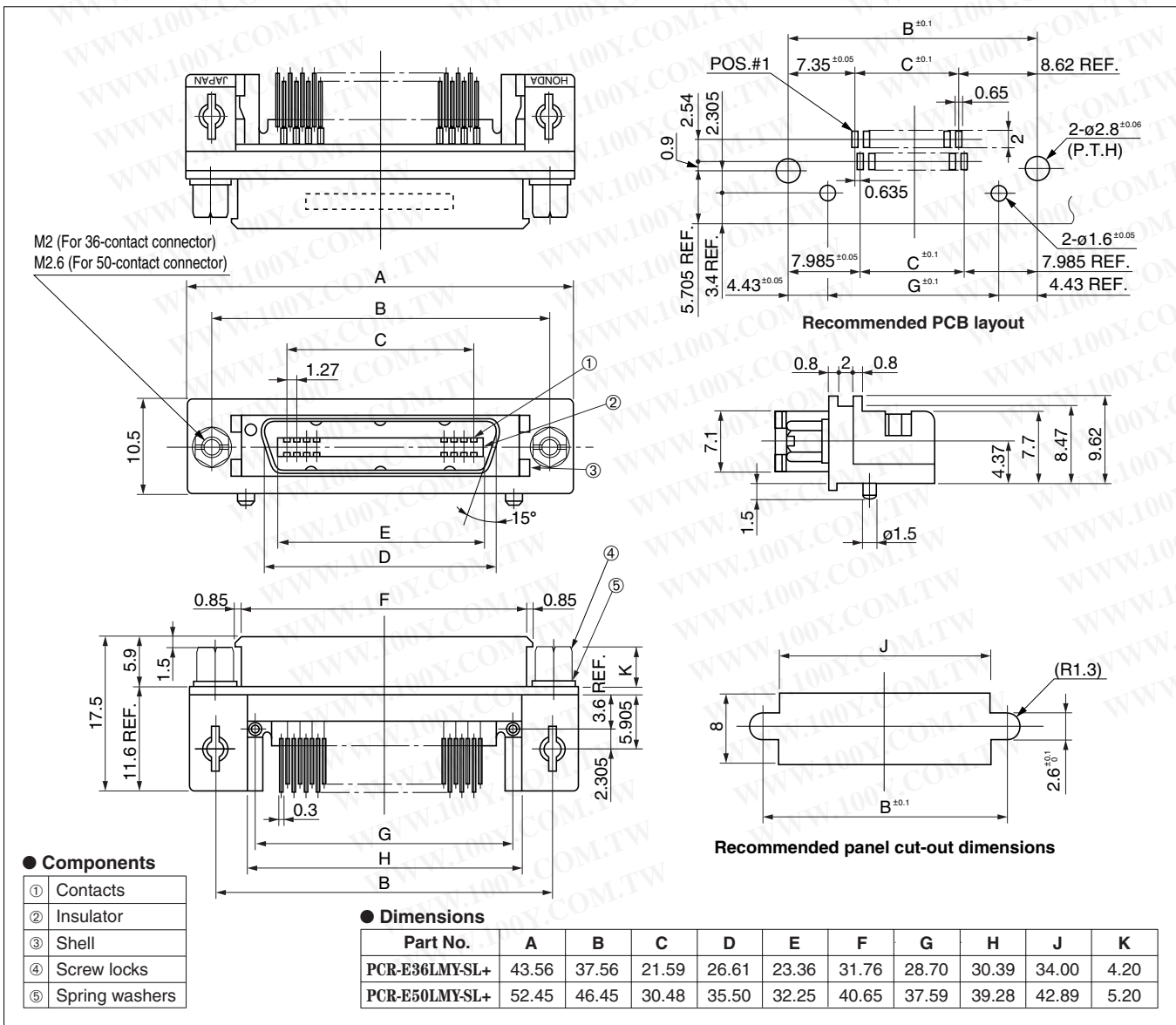
● Configuration of product Part No.

PCR-E () LMY- SL+

① ② ③ ④

- ① Series name
- ② No. of contacts: 36 or 50
- ③ Type of connector
LMY: Right-angle SMT type, male
- ④ With screw locks

勝特力材料 886-3-5753170
 勝特力电子(上海) 86-21-34970699
 勝特力电子(深圳) 86-755-83298787
[Http://www.100y.com.tw](http://www.100y.com.tw)



Mating connectors: PCR series cable-side IDC type or soldering type female connector

Accessories: Dust-proof cap, PCS-E()CP

**Cable-side soldering type female connector
PCR-S()FS+**

1.27 mm pitch connector

For cable

Soldering

EMI-Filtered

RoHS

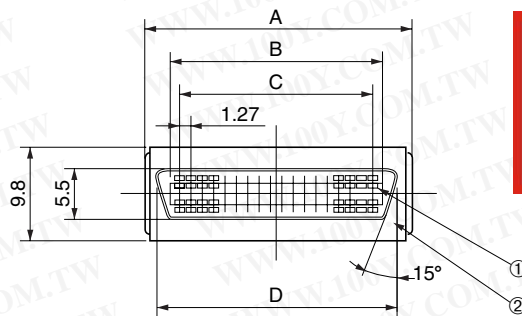


● Configuration of product Part No.

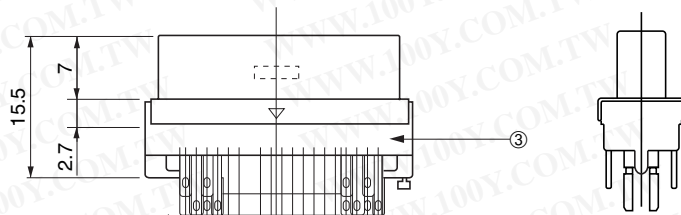
PCR-S () FS+

① ② ③

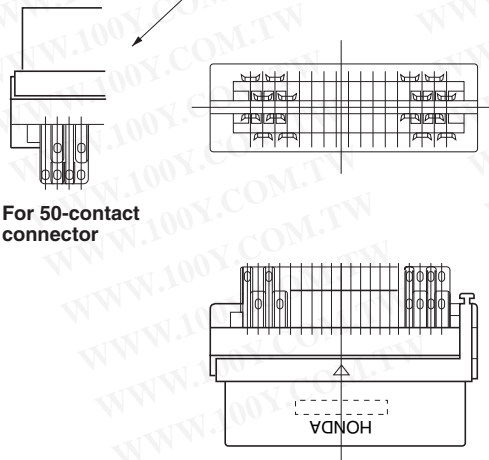
- ① Series name
- ② No. of contacts: 20, 28, 36 or 50
- ③ Type of connector
FS: Soldering type, female, AWG#20 MAX.



勝特力材料 886-3-5753170
 勝特力电子(上海) 86-21-34970699
 勝特力电子(深圳) 86-755-83298787
[Http://www.100y.com.tw](http://www.100y.com.tw)



For 50-contact connector



● Components

①	Contacts
②	Shell
③	Insulator

● Dimensions

Part No.	A	B	C	D
PCR-S20FS+	19.40	13.35	11.43	16.25
PCR-S28FS+	24.48	18.43	16.51	21.33
PCR-S36FS+	29.56	23.51	21.59	26.41
PCR-S50FS+	38.45	32.40	30.48	35.30

Mating connectors: PCR-E series PCB-side right-angle through hole type or SMT type connector

PCR-E series PCB-side straight through hole type or SMT type connector

Vertical type plastic backshell for cable extension
PCR-S()PMLA2+S

1.27 mm pitch connector

Backshell

Vertical type

RoHS

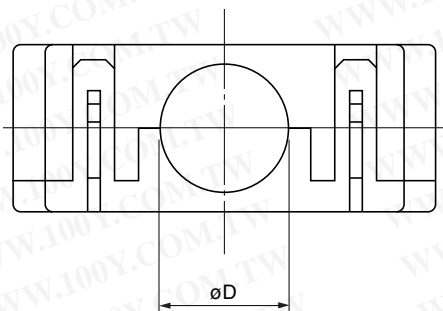


● Configuration of product Part No.

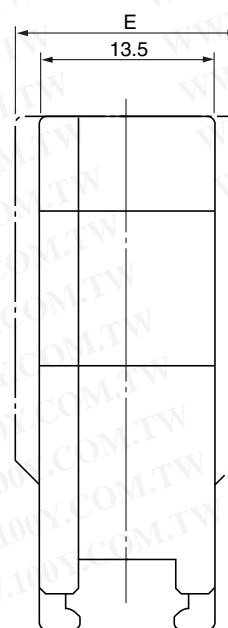
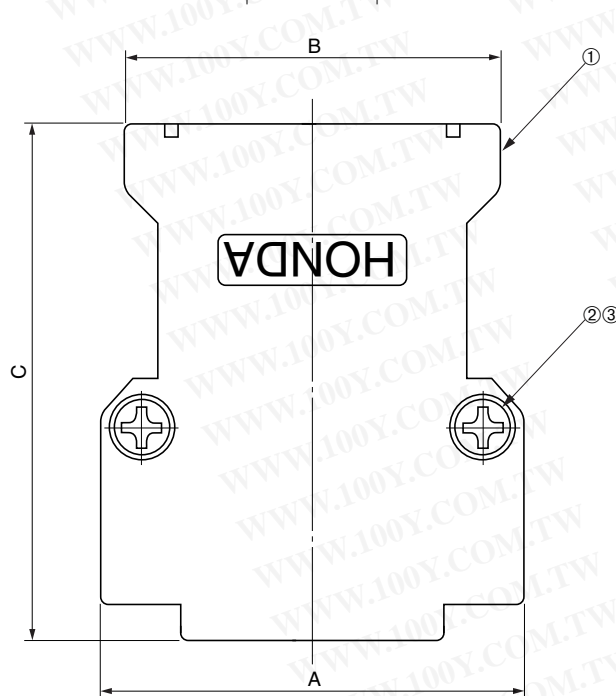
PCR-S () PMLA2+S

① ② ③

- ① Series name
- ② No. of contacts: 20 or 28
- ③ Vertical type backshell for PCR-E()PMRS-SL+



勝特力材料 886-3-5753170
 胜特力电子(上海) 86-21-34970699
 胜特力电子(深圳) 86-755-83298787
[Http://www.100y.com.tw](http://www.100y.com.tw)



● Components

①	Housing
②	Screw
③	Hex nuts

● Dimensions

Part No.	A	B	C	D	E
PCR-S20PMLA2+S	33.4	28.4	42.0	10.4	—
PCR-S28PMLA2+S	38.5	33.5	43.0	14.5	16.5

Mating connectors: PCR-E()PMRS-SL+

Vertical type plastic backshell (without screw lock)
PCR-V20L()

1.27 mm pitch connector

Backshell

Vertical type

RoHS



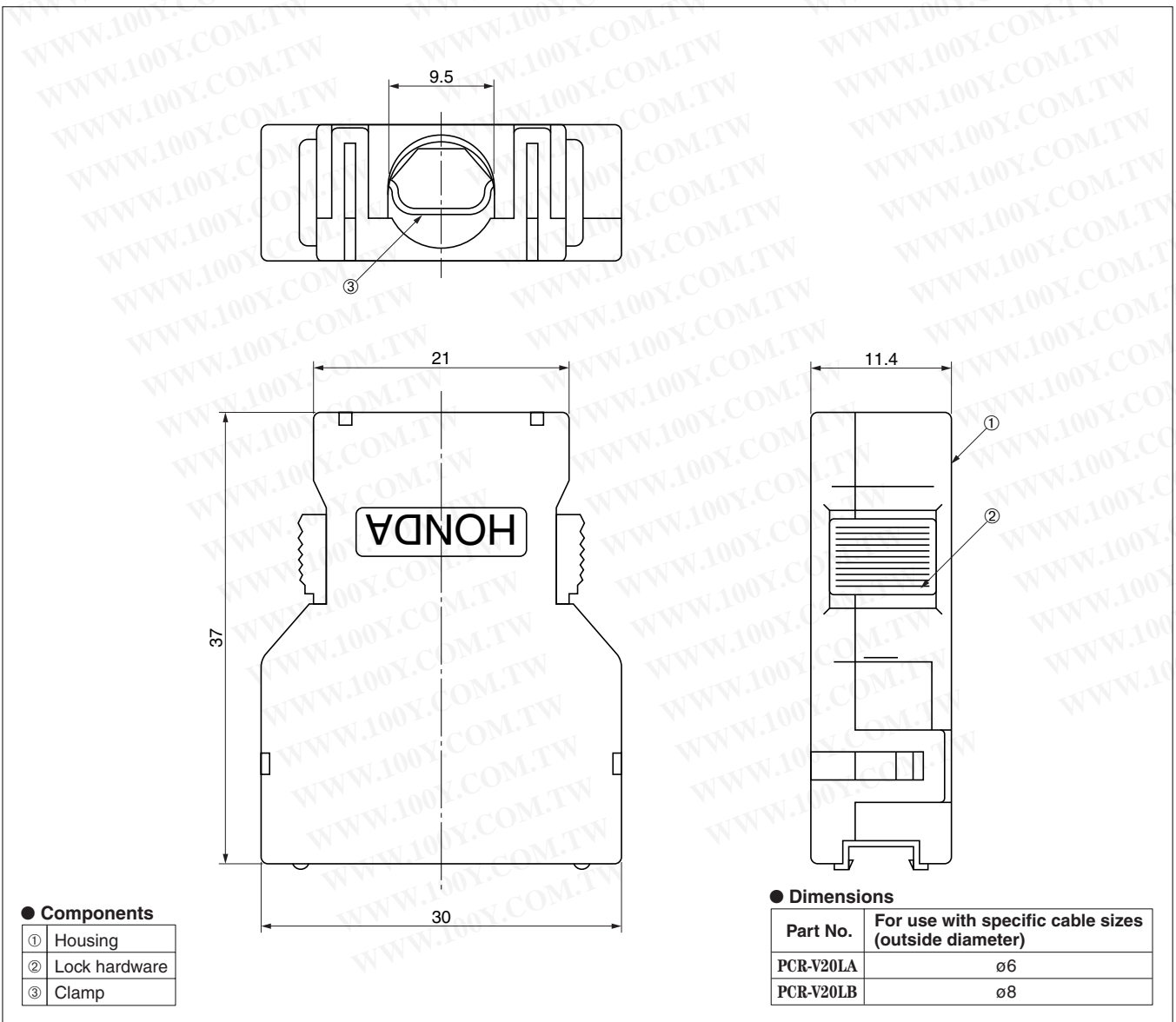
● Configuration of product Part No.

PCR-V 20 L ()

① ② ③

- ① Series name
- ② No. of contacts: 20
- ③ For use with specific cable sizes
A: Outside diameter of cable is 6 mm.
B: Outside diameter of cable is 8 mm.

勝特力材料 886-3-5753170
 勝特力电子(上海) 86-21-34970699
 勝特力电子(深圳) 86-755-83298787
[Http://www.100y.com.tw](http://www.100y.com.tw)



● Components

①	Housing
②	Lock hardware
③	Clamp

● Dimensions

Part No.	For use with specific cable sizes (outside diameter)
PCR-V20LA	ø6
PCR-V20LB	ø8

Mating connectors: PCR-E20F()+, PCR-E20FS+

Vertical type plastic backshell (with screw lock)
PCR-LS()LA()

RoHS

1.27 mm pitch connector

Backshell

Vertical type



● Configuration of product Part No.

PCR-LS () LA()

① ② ③

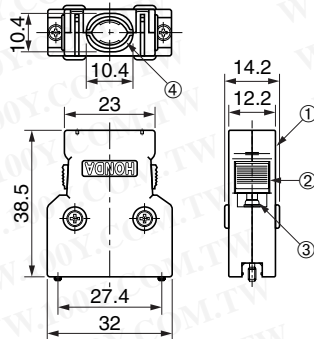
- ① Series name
- ② No. of contacts: 20, 28, 36 or 50
- ③ Vertical type backshell for PCR-S()FS+

PCR-LS20LA1 : Max outside diameter of cable is 10 mm.
 PCR-LS20LA : Max outside diameter of cable is 10 mm.
 PCR-LS28LA : Max outside diameter of cable is 14.5 mm.
 PCR-LS36LA : Max outside diameter of cable is 15 mm.
 PCR-LS50LA : Max outside diameter of cable is 16 mm.

PCR-LS20LA1

● Components

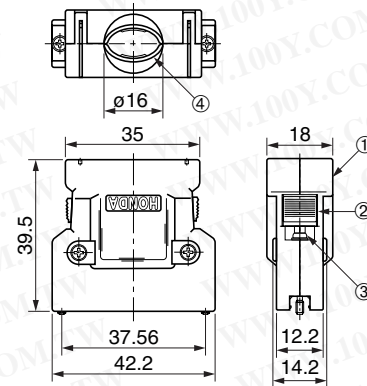
- | | |
|---|---------------|
| ① | Housing |
| ② | Lock hardware |
| ③ | Screw lock |
| ④ | Clamp |



PCR-LS36LA

● Components

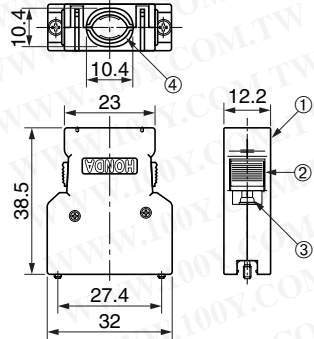
- | | |
|---|---------------|
| ① | Housing |
| ② | Lock hardware |
| ③ | Screw lock |
| ④ | Clamp |



PCR-LS20LA

● Components

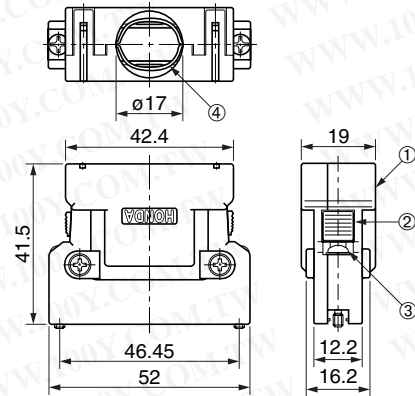
- | | |
|---|---------------|
| ① | Housing |
| ② | Lock hardware |
| ③ | Screw lock |
| ④ | Clamp |



PCR-LS50LA

● Components

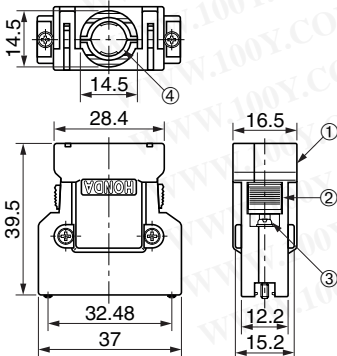
- | | |
|---|---------------|
| ① | Housing |
| ② | Lock hardware |
| ③ | Screw lock |
| ④ | Clamp |



PCR-LS28LA

● Components

- | | |
|---|---------------|
| ① | Housing |
| ② | Lock hardware |
| ③ | Screw lock |
| ④ | Clamp |



勝特力材料 886-3-5753170
 勝特力电子(上海) 86-21-34970699
 勝特力电子(深圳) 86-755-83298787
[Http://www.100y.com.tw](http://www.100y.com.tw)

Mating connectors: PCR-S()FS+

Vertical type plastic backshell (without screw lock)
PCR-S20LA

Backshell

Vertical type

RoHS

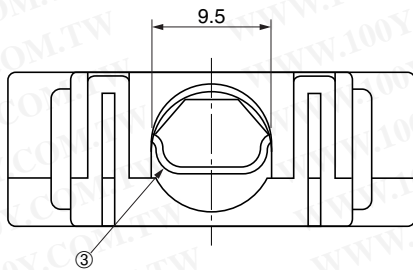


● Configuration of product Part No.

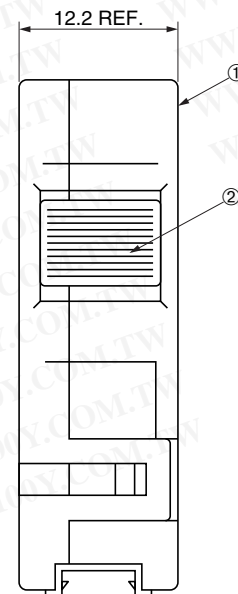
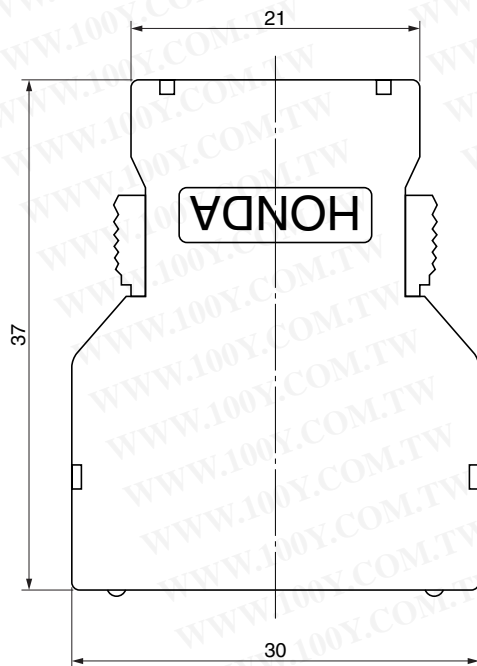
PCR-S 20 L A

① ② ③

- ① Series name
- ② No. of contacts: 20
- ③ For use with specific cable sizes
 A: Outside diameter of cable is 8.5 mm.



勝特力材料 886-3-5753170
 勝特力电子(上海) 86-21-34970699
 勝特力电子(深圳) 86-755-83298787
[Http://www.100y.com.tw](http://www.100y.com.tw)



● Components

①	Housing
②	Lock hardware
③	Clamp

Mating connectors: PCR-S20FS+