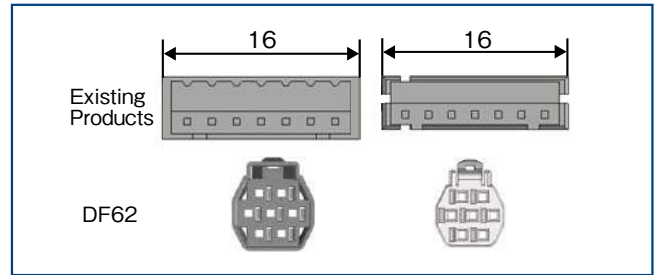


Features

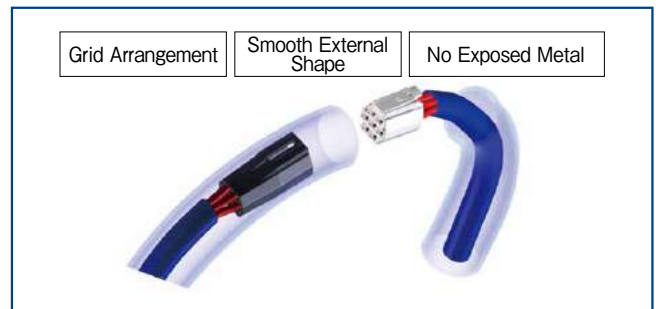
1. The slim, sleek design and smooth contour combine to complete connections in tight spaces.

These connectors were designed to take full advantage of small/narrow spaces. The contacts are arranged in a grid pattern which shortens the diagonal distances and the body was slimmed down by creating smooth outer surfaces. This design helps to save precious space and makes these connectors virtually tangle free. There is no visible or exposed metal which eliminates the possibility of electrical arcing between the connector and the inside of a metal conduit.



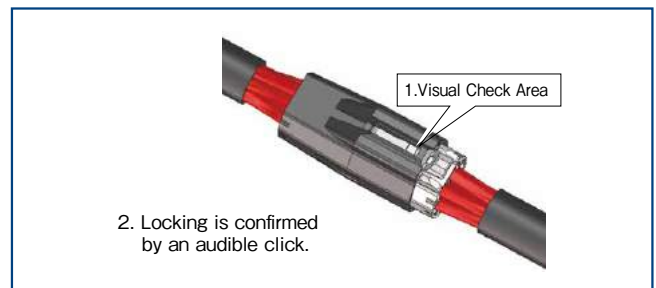
Compact shape due to 2 × 2. 2 grid layout of pins
(Both are 7 contacts with 3A current rating)

勝特力材料 886-3-5753170
 勝特力电子(上海) 86-21-34970699
 勝特力电子(深圳) 86-755-83298787
[Http://www.100y.com.tw](http://www.100y.com.tw)



2. Secure lock mechanism

The friction lock emits a clear tactile click upon lock completion. The design prevents incomplete mating and connector disconnection. The socket lock can be visually checked through the plug window after mating. These indicators function together to prevent incomplete mating.

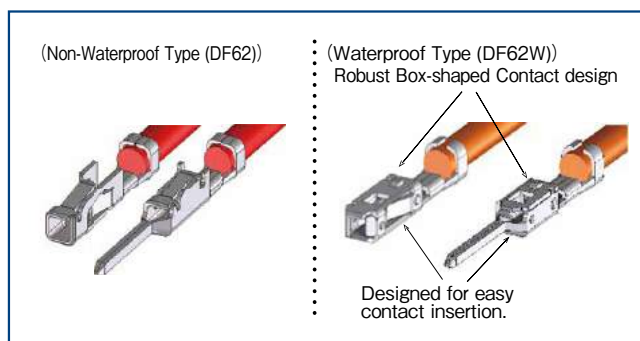


3. Reliable contact design

Two-point contact design that maintains contact reliability.

4. Robust contact design

The unique design provides protection to the contacts and lance areas and it prevents any bending or deformity that might occur during mating, assembly or transportation.



5. Multiple variations available

There are several different wire counts available, giving the designer a wide variety to choose from for the application. Protected lock type, panel mount type and pin header type are also available.

勝特力材料 886-3-5753170
 勝特力电子(上海) 86-21-34970699
 勝特力电子(深圳) 86-755-83298787
[Http://www.100y.com.tw](http://www.100y.com.tw)

6. Applicator sharing

The applicators for the DF11 and DF59 Series (existing products) can be adapted to accommodate the DF62 Series applicators.

Note 1 : The DF11 Series applicators require part replacement in order to handle the difference in contact length. However once replaced the applicator can be used with DF11, DF59 and DF62.

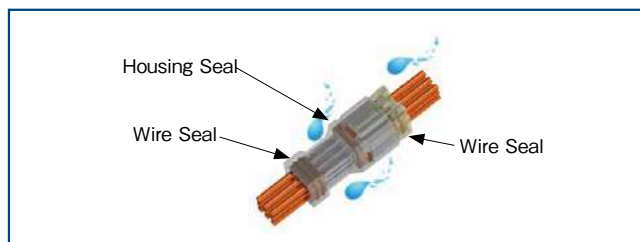
Note 2 : The die and hand tool are used only for the in designated purposes.

Note 3 : Please contact Hirose for additional details.

7. Condensation prevention (Waterproof Type DF62W)

IP67 level water-resistance in mated condition.

IP67 waterproof equivalent under specific conditions. Please contact a Hirose representative for detailed specifications and conditions.



Product Specifications

● DF62

Rated Current (Note 1)	No of Pos.	22 AWG	24 AWG	26-30 AWG	Operating Temperature (Note 2)	-35 ~ +105°C
	2	4A	2A	1A	Storage Temperature Range (Note 4)	-10 ~ +60°C
	3	3A	2A	1A	Operating Humidity Range (Note 3)	20 ~ 80%
	4	3A	2A	1A	Storage Humidity Range (Note 4)	40 ~ 70%
	5	3A	2A	1A		
	6	3A	2A	1A		
	7	3A	2A	1A		
	13	3A	2A	1A		
	24	2.5A	2A	1A		
Rated Voltage	AC/DC 250V					

UL	Rated Voltage	AC/DC 29.9V	Operating Temperature (Note 2)	-35 ~ +75°C
----	---------------	-------------	--------------------------------	-------------

C-UL	Rated Voltage	AC/DC 29.9V	Operating Temperature (Note 2)	-35 ~ +75°C
------	---------------	-------------	--------------------------------	-------------

● DF62W

Rated Current (Note 1)	No of Pos.	20 AWG	22 AWG	24 AWG	26 AWG	Operating Temperature (Note 2)	-40 ~ +105°C
	2	5A	4A	3.5A	3A	Storage Temperature Range (Note 4)	-10 ~ +60°C
	3	3.5A	3A	2A	1A	Operating Humidity Range (Note 3)	20 ~ 80%
	4	3.5A	3A	2A	1A	Storage Humidity Range (Note 4)	40 ~ 70%
	6	3.5A	3A	2A	1A		
	9	3.5A	3A	2A	1A		
Rated Voltage	AC/DC 250V						

UL	Rated Voltage	AC/DC 29.9V	Operating Temperature (Note 2)	-40 ~ +75°C
----	---------------	-------------	--------------------------------	-------------

C-UL	Rated Voltage	AC/DC 29.9V	Operating Temperature (Note 2)	-40 ~ +75°C
------	---------------	-------------	--------------------------------	-------------

UL File Name
UL : E52653
C-UL : E52653

勝特力材料 886-3-5753170
 勝特力电子(上海) 86-21-34970699
 勝特力电子(深圳) 86-755-83298787
[Http://www.100y.com.tw](http://www.100y.com.tw)

Items	Specifications	Conditions
Insulation Resistance	Minimum of 1,000M Ω	Measured with 500V DC
Withstanding Voltage	No flashover or breakdown	Apply 650V AC for 1 min.
Contact Resistance	Maximum of 30m Ω	Measured at a maximum of 20mV and 100mA (DC or 1000Hz)
Vibration Resistance	No electrical discontinuity of 1 μ s or longer	10 cycles in each of three directions at frequency 10-55Hz, half amplitude 0.75mm
Shock Resistance	No electrical discontinuity of 1 μ s or longer	Acceleration : 490m/s ² , 11ms, Semi-sinusoidal 3 axle direction 3 times each.
Humidity Resistance	Contact Resistance : Maximum of 30m Ω Insulation Resistance : Minimum of 1,000M Ω	Left at temperature 40 \pm 2 $^{\circ}$ C , humidity 90 to 95%, 96 hours
Temperature Cycles	Contact Resistance : Maximum of 30m Ω Insulation Resistance : Minimum of 1,000M Ω	-55 $^{\circ}$ C : 30 minutes \rightarrow 5 to 35 $^{\circ}$ C : 2 to 3 minutes \rightarrow 85 $^{\circ}$ C : 30 minutes \rightarrow 5 to 35 $^{\circ}$ C : 2 to 3 minutes, 5 cycles
Mating Durability	Contact Resistance : Maximum of 30m Ω	Mating/unmating : 30 mating cycles
Solder Heat Resistance	There should be no melting of the resin part affecting performance.	Flow : 260 $^{\circ}$ C , 10sec Hand soldering : temperature of soldering iron at 300 $^{\circ}$ C for 3sec.

Note 1 : This is the maximum current rating while all pins are powered or used as all power lines. When isolating power lines into multiple circuits, current ratings may go above the stated current ratings. Please consult Hirose for details before doing this.

Note 2 : Includes the temperature rise of power lines.

Note 3 : The connector should be completely dry (no condensation present)

Note 4 : The term "storage" refers to the long-term storage condition of unused products before PCB mounting. The operating temperature and humidity ranges are applied while in a non-energized state, while in transport or after PCB mounting.

勝特力材料 886-3-5753170
 勝特力电子(上海) 86-21-34970699
 勝特力电子(深圳) 86-755-83298787
[Http://www.100y.com.tw](http://www.100y.com.tw)

Materials / Finish

Item	Component	Material		Finish	UL Flammability Rating
Socket Crimping Contact	Contact	Phosphorous Bronze		Gold Plating or Tin Plating	-
Plug Crimping Contact					-
Crimping Socket	Insulator	PBT		White	UL94V-0
Crimping Plug				Black	
Crimping Socket (Note 1)	Seal	Silicone Rubber		Bengala	-
Crimping Plug (Note 1)					
Header	Insulator	DF62	Straight : Polyamide	Black	UL94V-0
			Right Angle : PBT		
		DF62W	PBT		
	Contact	Copper Alloy		Gold Plating or Tin Plating	-
	Retention Tab	Brass		Tin Plating	-
Seal (Note 1)	Silicone Rubber		Bengala	-	

Note 1 : Waterproof type (DF62W) only

勝特力材料 886-3-5753170
 勝特力电子(上海) 86-21-34970699
 勝特力电子(深圳) 86-755-83298787
[Http://www.100y.com.tw](http://www.100y.com.tw)

Product Number Structure

Refer to the chart below when determining the product specifications from the product number.
Please select from the product numbers listed in this catalog when placing orders.

Note : The waterproof type and non-waterproof type are not intermateable.

■ Non-Waterproof Type

● Connector

DF62B - # S - 2.2 C (##)

① ② ③ ④ ⑤ ⑥

① Series Name	DF62B (Regular Type) DF62C (Protected Lock Type) DF62P (Panel Mount Type)	④ Contact Pitch	2.2mm
② No. of Pos.	2, 3, 4, 5, 6, 7, 13, 24	⑤ Connection Part	C : Crimping Housing
③ Connector Type	S : Socket EP : In-line Plug	⑥ Color	Socket (None : White, 11 : Black, 18 : Red) In-line Plug (None : Black, 10 : White, 18 : Red)

● Contact

DF62 - EP 2428 PCF A

① ② ③ ④ ⑤

① Series Name	DF62	④ Contact Type / Packaging Type	SCF : Socket crimping contact, reel SC : Socket crimping contact, pieces PCF : Plug crimping contact, reel PC : Plug crimping contact, pieces
② Terminal Type	EP : In-line Plug		
③ Applicable Wire Size	22 : 22 AWG 2428 : 24 to 28 AWG 30 : 30 AWG	⑤ Plating Type	A : Gold plating None : Tin plating

● Connector

DF62 - # P - 2.2 DSA (##)

① ② ③ ④ ⑤ ⑥

① Series Name	DF62	⑤ Connection Part Shape	DSA : Straight Pin Header DS : Right Angle Pin Header
② No. of Pos.	13, 24		
③ Connector Type	P : Pin Header	⑥ Plating Type	None : Tin Plating O1 : Gold Plating
④ Contact Pitch	2.2mm		

勝特力材料 886-3-5753170
勝特力电子(上海) 86-21-34970699
勝特力电子(深圳) 86-755-83298787
[Http://www.100y.com.tw](http://www.100y.com.tw)

Waterproof Type

Connector

DF62W - # S - 2.2 C

① ② ③ ④ ⑤

① Series Name	DF62W	③ Connector Type	S : Socket EP : In-line Plug
② No. of Pos.	2, 3, 4, 6, 9	④ Contact Pitch	2.2mm
		⑤ Connection Part Shape	C : Crimping Housing

Contact

DF62W - EP 2226 PCF A

① ② ③ ④ ⑤

① Series Name	DF62W	④ Contact Type / Packaging Type	SCF : Socket Crimping Contact, Reel SC : Socket Crimping Contact, Pieces PCF : Plug Crimping Contact, Reel PC : Plug Crimping Contact, Pieces
② Terminal Type	EP : In-line Plug		
③ Applicable Wire Size	2022 : 20 to 22 AWG 2226 : 22 to 26 AWG	⑤ Plating Type	A : Gold Plating None : Tin Plating

Waterproof Pin

DF62W - WP

① ②

① Series Name	DF62W	② For Each Use Type	WP : Waterproof Pin
---------------	-------	---------------------	---------------------

Connector

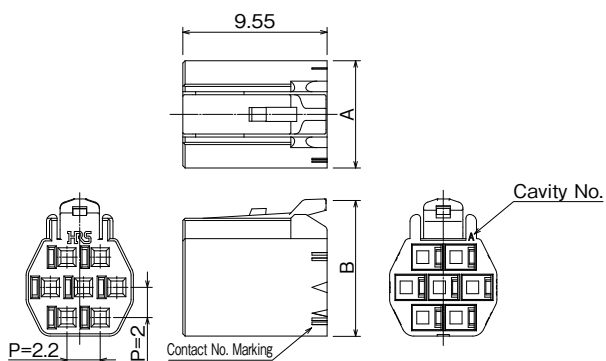
DF62WZ - # P - 2.2 DSA (##)

① ② ③ ④ ⑤ ⑥

① Series Name	DF62WZ	④ Contact Pitch	2.2mm
② No. of Pos.	9	⑤ Connection Part Shape	DSA : Straight Pin Header
③ Connector Type	P : Pin Header	⑥ Plating Type	20 : Tin Plating 50 : Gold Plating

勝特力材料 886-3-5753170
勝特力电子(上海) 86-21-34970699
勝特力电子(深圳) 86-755-83298787
[Http://www.100y.com.tw](http://www.100y.com.tw)

Socket (Standard Type)



7pos. shown as an example.

Unit : mm

Part No.	HRS No.	No. of Pos.	A	B	Purchase Unit
DF62B-2S-2.2C(##)	CL0544-0551-0-##	2	4.9	5.08	100pcs per bag
DF62B-3S-2.2C(##)	CL0544-0552-2-##	3			
DF62B-4S-2.2C(##)	CL0544-0553-5-##	4			
DF62B-5S-2.2C(##)	CL0544-0554-8-##	5	7.1	7.08	
DF62B-6S-2.2C(##)	CL0544-0555-0-##	6			
DF62B-7S-2.2C(##)	CL0544-0556-3-##	7	9.3	9.08	
DF62B-13S-2.2C(##)	CL0544-0557-6-##	13			
DF62B-24S-2.2C(##)	CL0544-0539-4-##	24	12.3	13.08	

[Specification No.] -##,(##)

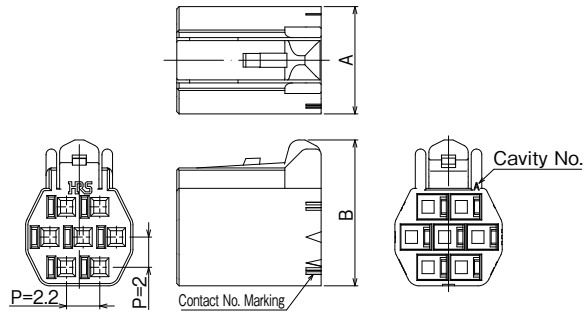
None : White

(11) : Black

(18) : Red

勝特力材料 886-3-5753170
 胜特力电子(上海) 86-21-34970699
 胜特力电子(深圳) 86-755-83298787
[Http://www.100y.com.tw](http://www.100y.com.tw)

Socket (Protected Lock Type)



7pos. shown as an example.

Unit : mm

Part No.	HRS No.	No. of Pos.	A	B	Purchase Unit
DF62C-2S-2.2C(##)	CL0544-0565-4-##	2	4.9	5.65	100pcs per bag
DF62C-3S-2.2C(##)	CL0544-0566-7-##	3			
DF62C-4S-2.2C(##)	CL0544-0567-0-##	4			
DF62C-5S-2.2C(##)	CL0544-0568-2-##	5	7.1	7.65	
DF62C-6S-2.2C(##)	CL0544-0569-5-##	6			
DF62C-7S-2.2C(##)	CL0544-0570-4-##	7			
DF62C-13S-2.2C(##)	CL0544-0571-7-##	13	9.3	11.65	
DF62C-24S-2.2C(##)	CL0544-0541-6-##	24	12.3	13.65	

[Specification No.] -##,(##)

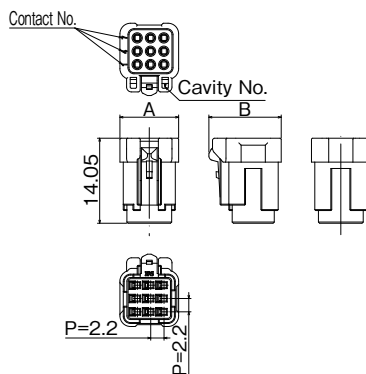
None : White

(11) : Black

(18) : Red

勝特力材料 886-3-5753170
 胜特力电子(上海) 86-21-34970699
 胜特力电子(深圳) 86-755-83298787
[Http://www.100y.com.tw](http://www.100y.com.tw)

Socket (Waterproof Type)



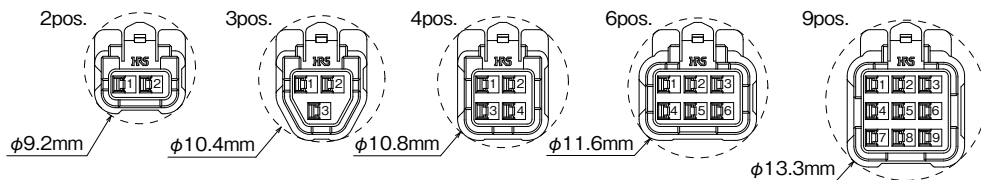
9pos. shown as an example.

Unit : mm

Part No.	HRS No.	No. of Pos.	A	B	Purchase Unit
DF62W-2S-2.2C	CL0544-1002-7-00	2	7.5	7.55	100pcs per bag
DF62W-3S-2.2C	CL0544-1004-2-00	3			
DF62W-4S-2.2C	CL0544-1006-8-00	4			
DF62W-6S-2.2C	CL0544-1008-3-00	6	9.7	9.75	
DF62W-9S-2.2C	CL0544-1010-5-00	9		11.95	

Note : The waterproof type and non-waterproof type are not intermateable.

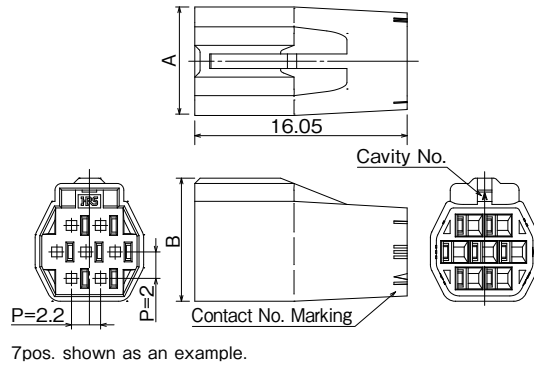
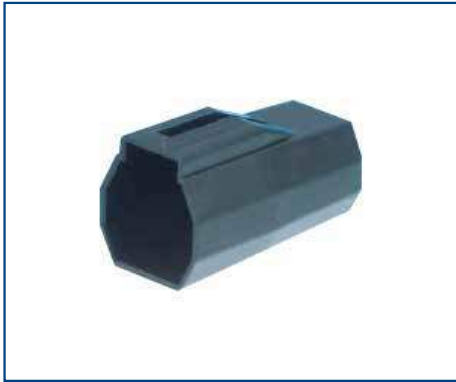
Position Number Pin Configuration (Shown from the Mating Side)



Note : Applicable jacket outer diameter : \varnothing 1.4 to 1.6mm

勝特力材料 886-3-5753170
 胜特力电子(上海) 86-21-34970699
 胜特力电子(深圳) 86-755-83298787
[Http://www.100y.com.tw](http://www.100y.com.tw)

Plug (Standard Type)



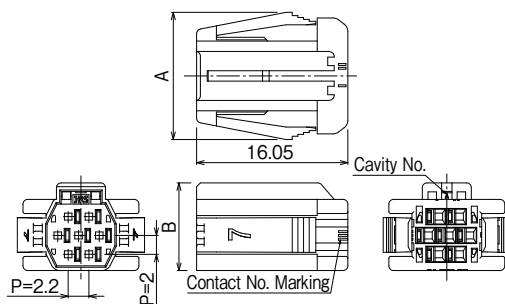
Unit : mm

Part No.	HRS No.	No. of Pos.	A	B	Purchase Unit
DF62B-2EP-2.2C(##)	CL0544-0558-9-##	2	6.0	5.3	100pcs per bag
DF62B-3EP-2.2C(##)	CL0544-0559-1-##	3			
DF62B-4EP-2.2C(##)	CL0544-0560-0-##	4			
DF62B-5EP-2.2C(##)	CL0544-0561-3-##	5	8.2	7.3	
DF62B-6EP-2.2C(##)	CL0544-0562-6-##	6			
DF62B-7EP-2.2C(##)	CL0544-0563-9-##	7			
DF62B-13EP-2.2C(##)	CL0544-0564-1-##	13	10.4	11.3	
DF62B-24EP-2.2C(##)	CL0544-0540-3-##	24	13.4	13.3	

[Specification No.] -##,(##)
 None : Black
 (10) : White
 (18) : Red

勝特力材料 886-3-5753170
胜特力电子(上海) 86-21-34970699
胜特力电子(深圳) 86-755-83298787
Http://www.100y.com.tw

Plug (Panel Mount Type)



Unit : mm

Part No.	HRS No.	No. of Pos.	A	B	Purchase Unit
DF62P-2EP-2.2C(##)	CL0544-0543-1-##	2	11.3	5.3	100pcs per bag
DF62P-3EP-2.2C(##)	CL0544-0544-4-##	3			
DF62P-4EP-2.2C(##)	CL0544-0545-7-##	4	13.5	7.3	
DF62P-5EP-2.2C(##)	CL0544-0546-0-##	5			
DF62P-6EP-2.2C(##)	CL0544-0547-2-##	6			
DF62P-7EP-2.2C(##)	CL0544-0548-5-##	7	9.3		
DF62P-13EP-2.2C(##)	CL0544-0549-8-##	13	15.7	11.3	
DF62P-24EP-2.2C(##)	CL0544-0550-7-##	24	18.7	13.3	

[Specification No.] -##,(##)

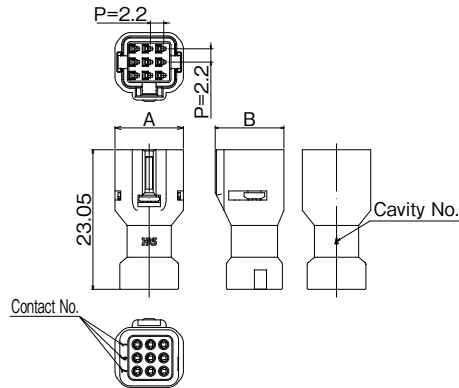
None : Black

(10) : White

(18) : Red

勝特力材料 886-3-5753170
 勝特力电子(上海) 86-21-34970699
 勝特力电子(深圳) 86-755-83298787
[Http://www.100y.com.tw](http://www.100y.com.tw)

Plug (Waterproof Type)



9pos. shown as an example.

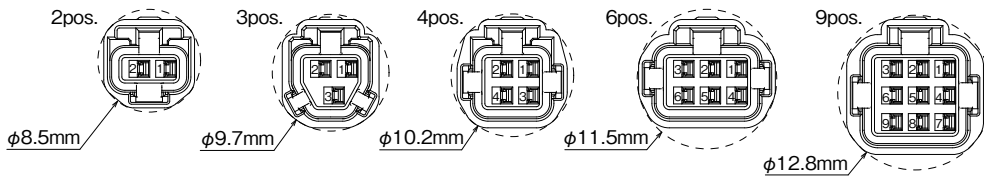
勝特力材料 886-3-5753170
 勝特力电子(上海) 86-21-34970699
 勝特力电子(深圳) 86-755-83298787
[Http://www.100y.com.tw](http://www.100y.com.tw)

Unit : mm

Part No.	HRS No.	No. of Pos.	A	B	Purchase Unit
DF62W-2EP-2.2C	CL0544-1003-0-00	2	7.5	6.7	100pcs per bag
DF62W-3EP-2.2C	CL0544-1005-5-00	3	8.0	9.15	
DF62W-4EP-2.2C	CL0544-1007-0-00	4	9.1		
DF62W-6EP-2.2C	CL0544-1009-6-00	6	11.3	11.35	
DF62W-9EP-2.2C	CL0544-1011-8-00	9			

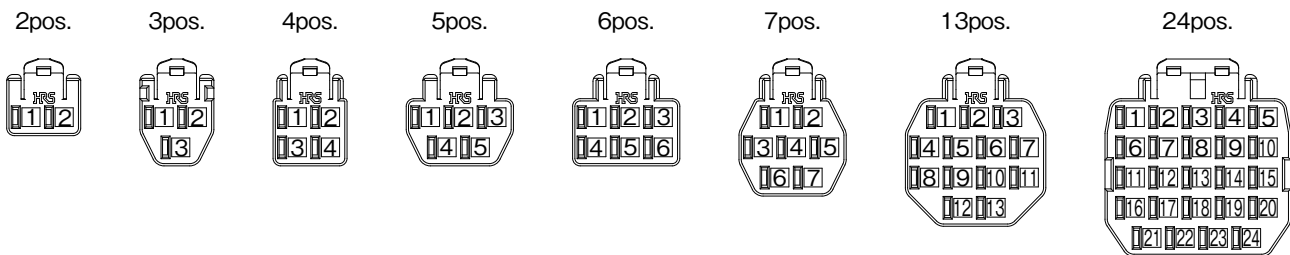
Note : The waterproof type and non-waterproof type are not intermateable.

Position Number Pin Configuration (Shown from the Mating Side)

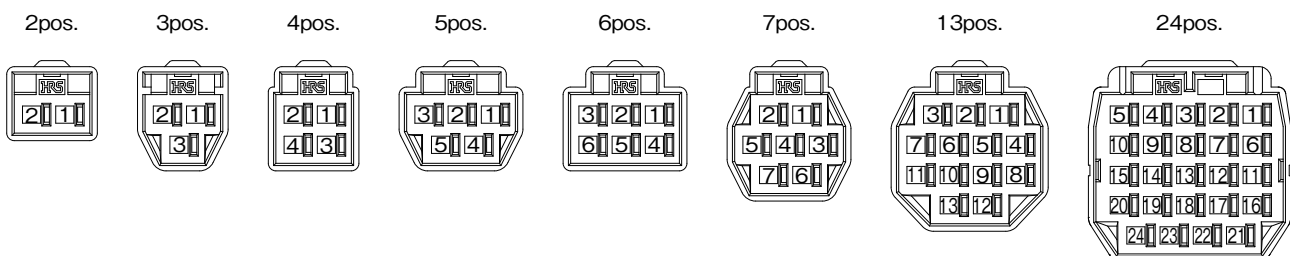


Note : Applicable jacket outer diameter : φ 1.4 to 1.6mm

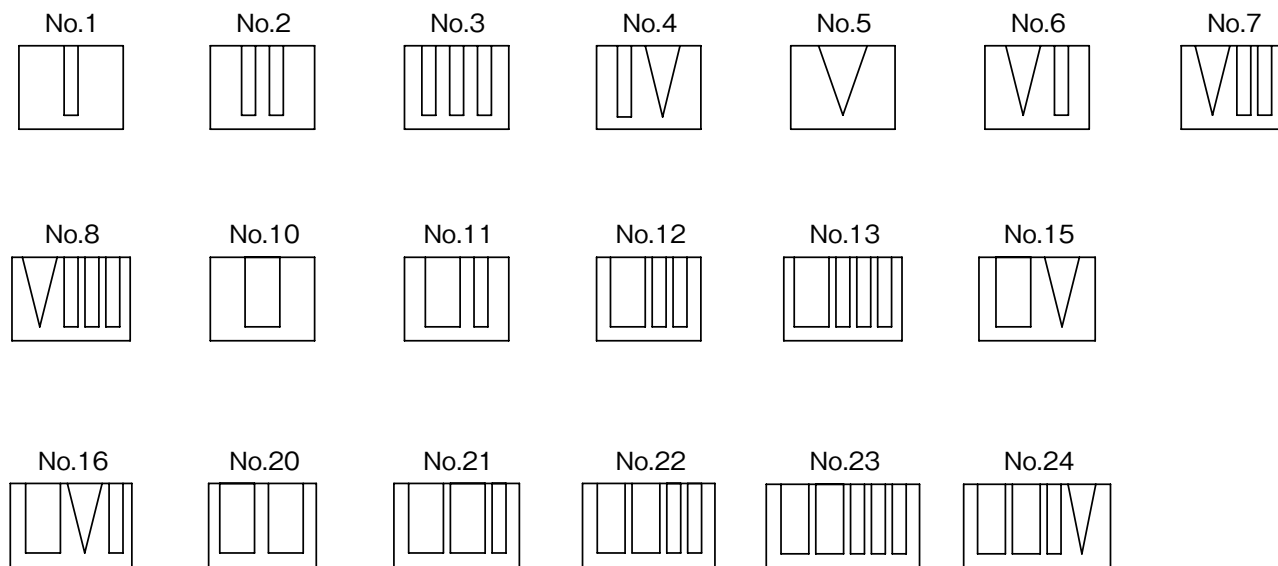
Socket Position Number Pin Configuration (Shown from the Mating Side)



Plug Position Number Pin Configuration (Shown from the Mating Side)

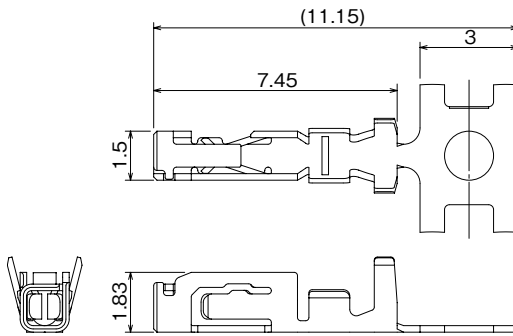


■ Position No. Diagram



勝特力材料 886-3-5753170
 勝特力电子(上海) 86-21-34970699
 勝特力电子(深圳) 86-755-83298787
[Http://www.100y.com.tw](http://www.100y.com.tw)

Socket Crimping Contact



● Reel Contact, Applicable Tool : Applicator

Part No.	HRS No.	Finish	Applicable Wire (Tin Plated Annealed Copper) (Note 1)					Purchase Unit
			UL	AWG	Stranded Wire Structure	Calculated Cross-section	Jacket Diameter	
DF62-22SCF DF62-22SCFA	CL0544-0520-6-00 CL0544-0506-5-00	Tin Plated Gold Plated	1061	22	17/0.16mm	0.342mm ²	φ 1.2 to φ 1.45mm	15,000pcs per reel
DF62-2428SCF DF62-2428SCFA	CL0544-0521-9-00 CL0544-0500-9-00	Tin Plated Gold Plated	1007	24 26 28	11/0.16mm 7/0.16mm 7/0.127mm	0.221mm ² 0.141mm ² 0.089mm ²	φ 0.9 to φ 1.45mm	
DF62-30SCF DF62-30SCFA	CL0544-0522-1-00 CL0544-0508-0-00	Tin Plated Gold Plated	1007	30	7/0.1mm	0.055mm ²	φ 0.75 to φ 1.2mm	

Note 1 : When using cables not specified by Hirose, please contact a Hirose sales representative.

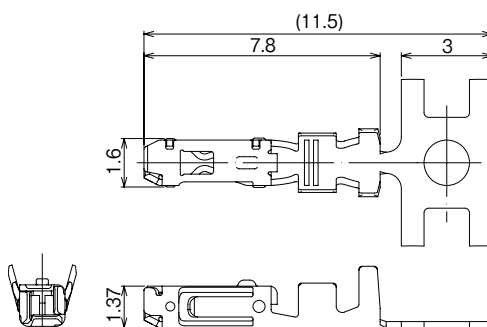
● Loose Piece, Applicable Tool : Hand Crimping Tool

Part No.	HRS No.	Finish	Applicable Wire (Tin Plated Annealed Copper) (Note 2)					Purchase Unit
			UL	AWG	Stranded Wire Structure	Calculated Cross-section	Jacket Diameter	
DF62-22SC DF62-22SCA	CL0544-0572-0-00 CL0544-0526-2-00	Tin Plated Gold Plated	1061	22	17/0.16mm	0.342mm ²	φ 1.26mm	100pcs per bag
DF62-2428SC DF62-2428SCA	CL0544-0573-2-00 CL0544-0527-5-00	Tin Plated Gold Plated	1007	24 26 28	11/0.16mm 7/0.16mm 7/0.127mm	0.221mm ² 0.141mm ² 0.089mm ²	φ 1.42mm φ 1.28mm φ 1.18mm	
DF62-30SC DF62-30SCA	CL0544-0574-5-00 CL0544-0528-8-00	Tin Plated Gold Plated	1007	30	7/0.1mm	0.055mm ²	φ 0.82mm	

Note 2 : The applicable cables include only those listed above.

勝特力材料 886-3-5753170
 勝特力电子(上海) 86-21-34970699
 勝特力电子(深圳) 86-755-83298787
[Http://www.100y.com.tw](http://www.100y.com.tw)

Socket Crimp Contact (For Waterproof Version)



● Reel Contact, Applicable Tool : Applicator

Part No.	HRS No.	Finish	Applicable Wire (Tin Plated Annealed Copper) (Note 1)					Purchase Unit
			UL	AWG	Stranded Wire Structure	Calculated Cross-section	Jacket Diameter	
DF62W-2022SCF DF62W-2022SCFA	CL0544-1015-9-00 CL0544-1027-0-00	Tin Plated Gold Plated	3443	20	7/0.32mm	0.563mm ²	φ 1.4 to φ 1.6mm	15,000pcs per reel
			1007	22	17/0.16mm	0.342mm ²		
DF62W-2226SCF DF62W-2226SCFA	CL0544-1000-1-00 CL0544-1025-0-00	Tin Plated Gold Plated	1007	22 24	17/0.16mm 11/0.16mm	0.342mm ² 0.221mm ²		
			1430	24 26	11/0.16mm 7/0.16mm	0.221mm ² 0.141mm ²		

Note 1 : When using cables not specified by Hirose, please contact a Hirose sales representative.

Note 2 : There are cases in which use of a flexible wire (thin, stranded conductor or soft jacket material) may make insertion to socket difficult. Please contact a Hirose representative for more information.

Note 3 : The waterproof type and non-waterproof type are a not intermateable.

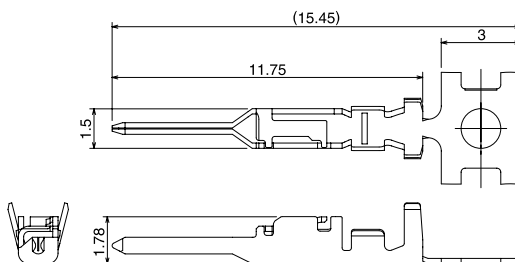
● Loose Piece, Applicable Tool : Hand Crimping Tool

Part No.	HRS No.	Finish	Applicable Wire (Tin Plated Annealed Copper) (Note 4)					Purchase Unit
			UL	AWG	Stranded Wire Structure	Calculated Cross-section	Jacket Diameter	
DF62W-2022SC DF62W-2022SCA	CL0544-1017-4-00 CL0544-1045-0-00	Tin Plated Gold Plated	3443	20	7/0.32mm	0.563mm ²	φ 1.53mm	100pcs per bag
			1007	22	17/0.16mm	0.342mm ²	φ 1.58mm	
DF62W-2226SC DF62W-2226SCA	CL0544-1012-0-00 CL0544-1044-0-00	Tin Plated Gold Plated	1007	22 24	17/0.16mm 11/0.16mm	0.342mm ² 0.221mm ²	φ 1.58mm φ 1.42mm	
			1430	26	7/0.16mm	0.141mm ²	φ 1.48mm	

Note 4 : The applicable cables include only those listed above.

勝特力材料 886-3-5753170
 勝特力电子(上海) 86-21-34970699
 勝特力电子(深圳) 86-755-83298787
[Http://www.100y.com.tw](http://www.100y.com.tw)

Plug Crimping Contact



● Reel Contact, Applicable Tool : Applicator

Part No.	HRS No.	Finish	Applicable Wire (Tin Plated Annealed Copper) (Note 1)					Purchase Unit
			UL	AWG	Stranded Wire Structure	Calculated Cross-section	Jacket Diameter	
DF62-EP22PCF DF62-EP22PCFA	CL0544-0523-4-00 CL0544-0507-8-00	Tin Plated Gold Plated	1061	22	17/0.16mm	0.342mm ²	φ 1.2 to φ 1.45mm	15,000pcs per reel
DF62-EP2428PCF DF62-EP2428PCFA	CL0544-0524-7-00 CL0544-0501-1-00	Tin Plated Gold Plated	1007	24 26 28	11/0.16mm 7/0.16mm 7/0.127mm	0.221mm ² 0.141mm ² 0.089mm ²	φ 0.9 to φ 1.45mm	
DF62-EP30PCF DF62-EP30PCFA	CL0544-0525-0-00 CL0544-0509-3-00	Tin Plated Gold Plated	1007	30	7/0.1mm	0.055mm ²	φ 0.75 to φ 1.2mm	

Note 1 : When using cables not specified by Hirose, please contact a Hirose sales representative.

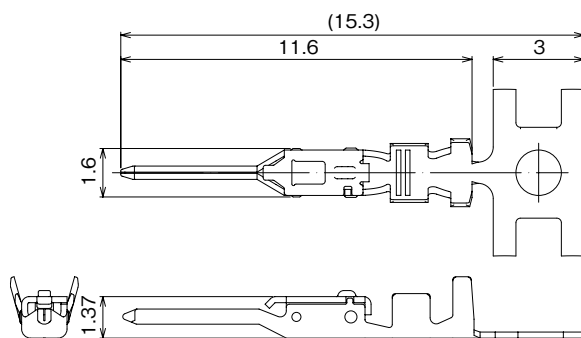
● Loose Piece, Applicable Tool : Hand Crimping Tool

Part No.	HRS No.	Finish	Applicable Wire (Tin Plated Annealed Copper) (Note 2)					Purchase Unit
			UL	AWG	Stranded Wire Structure	Calculated Cross-section	Jacket Diameter	
DF62-EP22PC DF62-EP22PCA	CL0544-0575-8-00 CL0544-0529-0-00	Tin Plated Gold Plated	1061	22	17/0.16mm	0.342mm ²	φ 1.26mm	100pcs per bag
DF62-EP2428PC DF62-EP2428PCA	CL0544-0576-0-00 CL0544-0530-0-00	Tin Plated Gold Plated	1007	24 26 28	11/0.16mm 7/0.16mm 7/0.127mm	0.221mm ² 0.141mm ² 0.089mm ²	φ 1.42mm φ 1.28mm φ 1.18mm	
DF62-EP30PC DF62-EP30PCA	CL0544-0577-3-00 CL0544-0529-0-00	Tin Plated Gold Plated	1007	30	7/0.1mm	0.055mm ²	φ 0.82mm	

Note 2 : The applicable cables include only those listed above.

勝特力材料 886-3-5753170
 勝特力电子(上海) 86-21-34970699
 勝特力电子(深圳) 86-755-83298787
[Http://www.100y.com.tw](http://www.100y.com.tw)

Plug Crimping Contact (For Waterproof Version)



● Reel Contact, Applicable Tool : Applicator

Part No.	HRS No.	Finish	Applicable Wire (Tin Plated Annealed Copper) (Note 1)					Purchase Unit
			UL	AWG	Stranded Wire Structure	Calculated Cross-section	Jacket Diameter	
DF62W-EP2022PCF DF62W-EP2022PCFA	CL0544-1016-1-00 CL0544-1028-0-00	Tin Plated Gold Plated	3443	20	7/0.32mm	0.563mm ²	φ 1.4 to φ 1.6mm	15,000pcs per reel
			1007	22	17/0.16mm	0.342mm ²		
DF62W-EP2226PCF DF62W-EP2226PCFA	CL0544-1001-4-00 CL0544-1026-0-00	Tin Plated Gold Plated	1007	22 24	17/0.16mm 11/0.16mm	0.342mm ² 0.221mm ²		
			1430	24 26	11/0.16mm 7/0.16mm	0.221mm ² 0.141mm ²		

Note 1 : When using cables not specified by Hirose, please contact a Hirose sales representative.

Note 2 : There are cases in which use of a flexible wire (thin, stranded conductor or soft jacket material) may make insertion to socket difficult. Please contact a Hirose representative for more information.

Note 3 : The waterproof type and non-waterproof type are not intermateable.

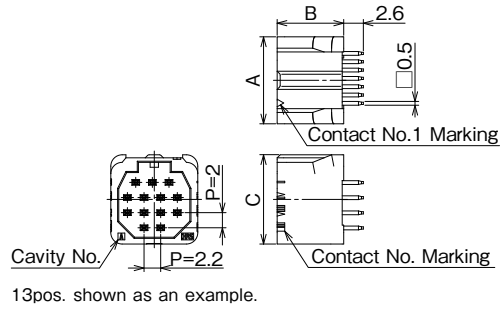
● Loose Piece, Applicable Tool : Hand Crimping Tool

Part No.	HRS No.	Finish	Applicable Wire (Tin Plated Annealed Copper) (Note 4)					Purchase Unit
			UL	AWG	Stranded Wire Structure	Calculated Cross-section	Jacket Diameter	
DF62W-EP2022PC DF62W-EP2022PCA	CL0544-1018-7-00 CL0544-1043-0-00	Tin Plated Gold Plated	3443	20	7/0.32mm	0.563mm ²	φ 1.53mm	100pcs per bag
			1007	22	17/0.16mm	0.342mm ²	φ 1.58mm	
DF62W-EP2226PC DF62W-EP2226PCA	CL0544-1013-3-00 CL0544-1042-0-00	Tin Plated Gold Plated	1007	22 24	17/0.16mm 11/0.16mm	0.342mm ² 0.221mm ²	φ 1.58mm φ 1.42mm	
			1430	26	7/0.16mm	0.141mm ²	φ 1.48mm	

Note 4 : The applicable cables include only those listed above.

勝特力材料 886-3-5753170
 胜特力电子(上海) 86-21-34970699
 胜特力电子(深圳) 86-755-83298787
[Http://www.100y.com.tw](http://www.100y.com.tw)

Straight Pin Header



Unit : mm

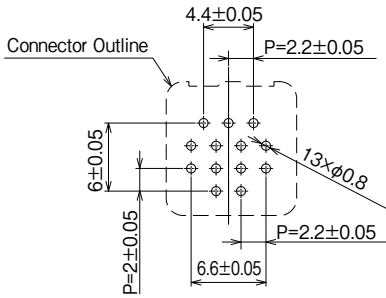
Part No.	HRS No.	No. of Pos.	A	B	C	Tin Plating	Gold Plating	Purchase Unit
DF62-13P-2.2DSA(##)	CL0544-0582-0-##	13	11.5	8.8	11.8	○	—	100pcs per tray
DF62-24P-2.2DSA(##)	CL0544-0584-0-##	24	14.5	10.8	13.8	○	—	80pcs per tray

[Specification No.] -##,(##)
 None : Tin Plating
 (01) : Gold Plating

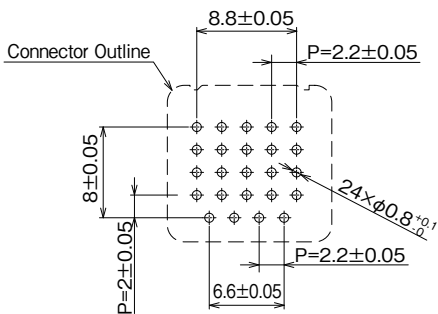
Note : Please contact a Hirose representative for requests on gold plating pin count variations that have not been released.

■ Recommended PCB Layout (Recommended Thickness t=1.6mm)

[13pos.]

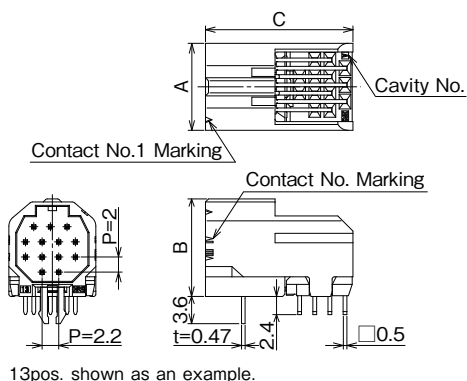


[24pos.]



勝特力材料 886-3-5753170
 勝特力电子(上海) 86-21-34970699
 勝特力电子(深圳) 86-755-83298787
[Http://www.100y.com.tw](http://www.100y.com.tw)

Right Angle Pin Header



Unit : mm

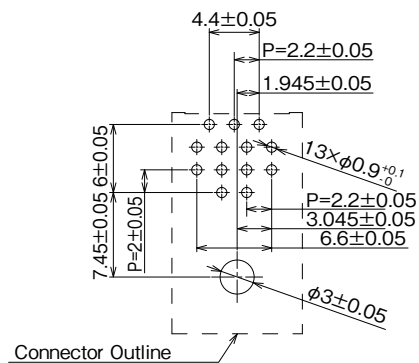
Part No.	HRS No.	No. of Pos.	A	B	C	Tin Plating	Gold Plating	Purchase Unit
DF62-13P-2.2DS(##)	CL0544-0581-0-##	13	11.5	12.9	19.5	○	—	100pcs per tray
DF62-24P-2.2DS(##)	CL0544-0583-0-##	24	15.4	14.9	23.5	○	○	

[Specification No.] -##,(##)
 None : Tin Plating
 (01) : Gold Plating

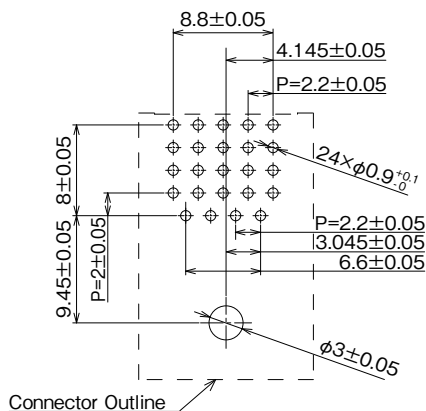
Note : Please contact a Hirose representative for requests on gold plating pin count variations that have not been released.

Recommended PCB Layout (Recommended Thickness t=1.6mm)

[13pos.]

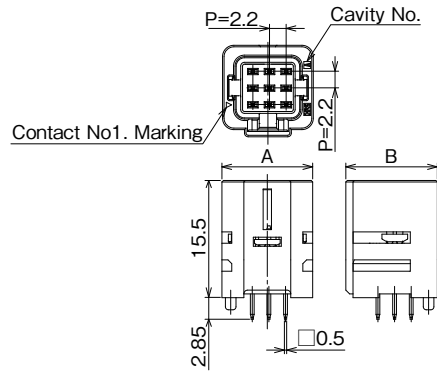


[24pos.]



勝特力材料 886-3-5753170
勝特力电子(上海) 86-21-34970699
勝特力电子(深圳) 86-755-83298787
[Http://www.100y.com.tw](http://www.100y.com.tw)

Straight Pin Header (Waterproof Type)



9pos. shown as an example.

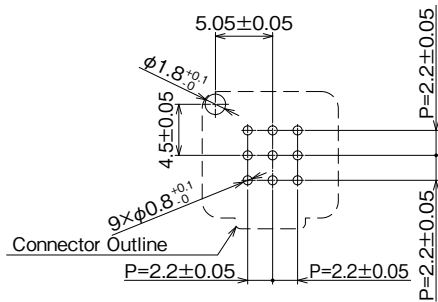
Unit : mm

Part No.	HRS No.	No. of Pos.	A	B	Tin Plating	Gold Plating	Purchase Unit
DF62WZ-9P-2.2DSA(##)	CL0544-1050-0-##	9	12	12.1	○	○	200pcs per tray

[Specification No.] -##,(##)
 (20) : Tin Plating
 (50) : Gold Plating

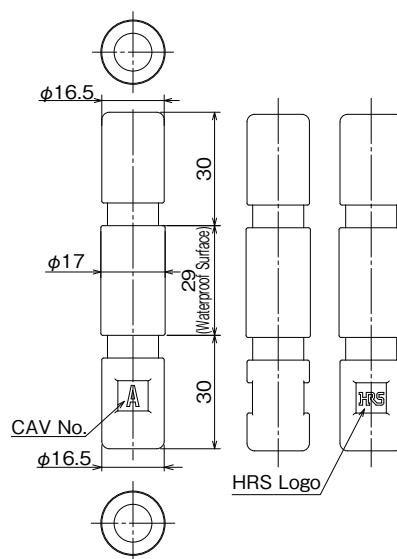
■ Recommended PCB Layout (Recommended Thickness $t=1.6\text{mm}$)

[9pos.]



勝特力材料 886-3-5753170
 勝特力电子(上海) 86-21-34970699
 勝特力电子(深圳) 86-755-83298787
[Http://www.100y.com.tw](http://www.100y.com.tw)

Waterproof Pin



Part No.	HRS No.	Purchase Unit
DF62W-WP	CL0544-1014-6-00	100pcs per bag

Note : When using without the crimp contact inserted, fill the contact hole of socket and plug with a waterproof pin.

勝特力材料 886-3-5753170
 勝特力电子(上海) 86-21-34970699
 勝特力电子(深圳) 86-755-83298787
[Http://www.100y.com.tw](http://www.100y.com.tw)