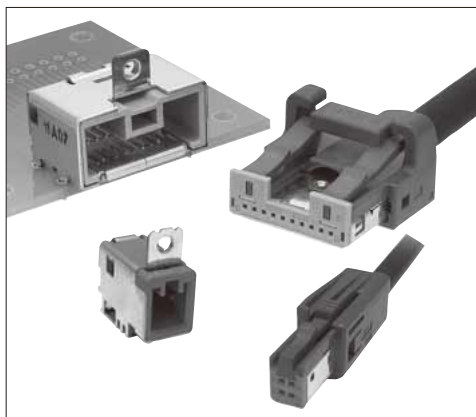


# GT32 Series

— Shielded Connector for High Speed Transmission —



## ■ Features

- High speed transmission  
(4pos. : up to 1Gbps/pair, 10pos. : up to 5Gbps/pair, 19pos. : up to 2.2Gbps/742.5Mbps×3pair)
- Satisfies various automotive evaluation requirements
- Positive lock design with a clear tactile click
- Reliable two-point contact design
- THR (Through-Hole-Reflow)

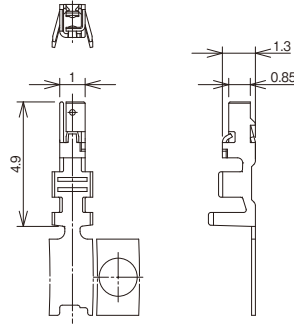
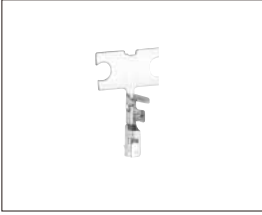
## ■ Applications

- For in-vehicle data communication, etc.  
(4pos. ... USB 2.0 Equivalent)  
(10pos. ... USB 3.2 Gen1 Equivalent)  
(19pos. ... HDMI 1.4 Type E Equivalent)

勝特力材料 886-3-5753170  
胜特力电子(上海) 86-21-34970699  
胜特力电子(深圳) 86-755-83298787  
[Http://www.100y.com.tw](http://www.100y.com.tw)

## ■ F Connector

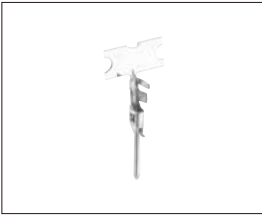
### ● Center Terminal



Part No.	HRS No.	Material	Finish	Conductor size	Jacket outer diameter	Sales unit	RoHS
GT32-2428SCF	782-0007-8	Copper alloy	Tin plating	AWG#24~28	φ0.8~1.0	10,000pcs per reel	○

## ■ M Connector

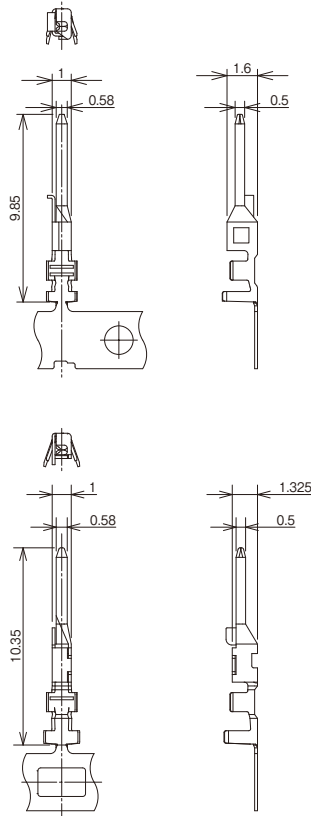
### ● Center Terminal



GT32-2428PCF



GT32A-2428PCF

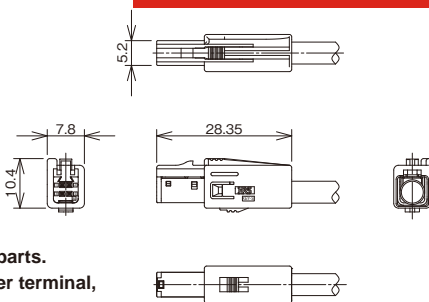


**勝特力材料 886-3-5753170**  
**勝特力电子(上海) 86-21-34970699**  
**勝特力电子(深圳) 86-755-83298787**  
[Http://www.100y.com.tw](http://www.100y.com.tw)

Part No.	HRS No.	Material	Finish	Conductor size	Jacket outer diameter	Sales unit	RoHS
GT32-2428PCF	782-0030-0	Brass	Tin plating	AWG#24~28	φ0.8~1.0	10,000pcs per reel	○
GT32A-2428PCF	782-0050-7						

勝特力材料 886-3-5753170  
 勝特力电子(上海) 86-21-34970699  
 勝特力电子(深圳) 86-755-83298787  
[Http://www.100y.com.tw](http://www.100y.com.tw)

## ■ 4-pos Straight Connector



- ◆ This product consists of five parts.  
 (Housing, insulated case, outer terminal, shield cover, and center terminal)

### ● Housing

Part No.	HRS No.	Material	Color	Sales unit	RoHS
GT32-4DS-HU	782-0042-9	PBT	Dark gray	100pcs per bag	○
GT32-4DS-HU(A)	782-0055-0		Brown		
GT32-4DS-HU(B)	782-0056-3		Green		
GT32-4DS-HU(C)	782-0057-6		Blue		
GT32-4DS-HU(D)	782-0058-9		Black		

### ● Insulated Case

Part No.	HRS No.	Material	Color	Sales unit	RoHS
GT32-4DS-1.5C	782-0039-4	PBT	Light gray	100pcs per bag	○

### ● Outer Terminal

Part No.	HRS No.	Material	Finish	Sales unit	RoHS
GT32-4DS-SCF	782-0040-3	Copper alloy	Tin plating	100pcs per bag	○

### ● Shield Plate

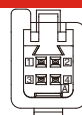
Part No.	HRS No.	Material	Finish	Sales unit	RoHS
GT32-4DS-SC	782-0041-6	Copper alloy	Tin plating	100pcs per bag	○

### ● Center Terminal

Part No.	HRS No.	Material	Finish	Conductor size	Jacket outer diameter	Sales unit	RoHS
GT32-2428SCF	782-0007-8	Copper alloy	Tin plating	AWG#24~28	φ0.8~1.0	10,000pcs per reel	○

## ◆ Mating Table

Color	Cable side connector	Board connector	
		Right angle type	Straight type
Dark gray	GT32-4DS-ASSY	GT32-4DP-1.5H	GT32-4DP-1.5V GT32-4DP-1.5V(30)
		GT32-4DP-1.5H(10)	
		GT32-4DP-1.5H(11)	
		GT32-4DP-1.5H(12)	
		GT32-4DP-1.5H(30)	
		GT32J-4DP-1.5H(11)	
Brown	GT32-4DS-ASSY(Key Type : A)	GT32-4DP-1.5H(A)(10)	GT32-4DP-1.5V(A) GT32-4DP-1.5V(A)(30)
		GT32-4DP-1.5H(A)(11)	
		GT32-4DP-1.5H(A)(12)	
		GT32-4DP-1.5H(B)(10)	
		GT32-4DP-1.5H(B)(11)	
		GT32-4DP-1.5H(B)(12)	
Green	GT32-4DS-ASSY(Key Type : B)	GT32-4DP-1.5H(B)(10)	GT32-4DP-1.5V(B) GT32-4DP-1.5V(B)(30)
		GT32-4DP-1.5H(B)(11)	
		GT32-4DP-1.5H(B)(12)	
		GT32-4DP-1.5H(B)(30)	
		GT32J-4DP-1.5H(B)(11)	
		GT32-4DP-1.5H(C)(10)	
Blue	GT32-4DS-ASSY(Key Type : C)	GT32-4DP-1.5H(C)(10)	GT32-4DP-1.5V(C) GT32-4DP-1.5V(C)(30)
		GT32-4DP-1.5H(C)(11)	
		GT32-4DP-1.5H(C)(12)	
		GT32-4DP-1.5H(C)(30)	
		GT32-4DP-1.5H(D)(10)	
		GT32-4DP-1.5H(D)(11)	
Black	GT32-4DS-ASSY(Key Type : D)	GT32-4DP-1.5H(D)(10)	GT32-4DP-1.5V(D) GT32-4DP-1.5V(D)(30)
		GT32-4DP-1.5H(D)(12)	



Standard

Dark gray



Key A

Brown



Key B

Green



Key C

Blue



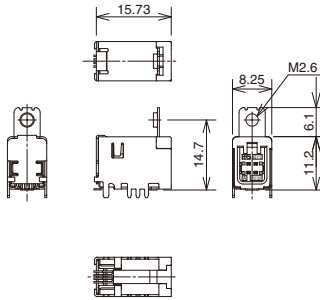
Key D

Black

GT5  
 GT13  
 GT16  
 GT19  
 GT21  
 GT36  
 GT43  
 GT17  
**GT32**  
 GT25  
 KM32  
 ZS05  
 ZS052  
 HH-200  
 ZS04W  
 IT202K  
 FK26  
 DF40  
 DF40GL  
 RH28K  
 FH2K  
 FH5  
 FH40  
 FH63  
 FH67

## ■ 4-pos Board Connector (Right Angle SMT Type)

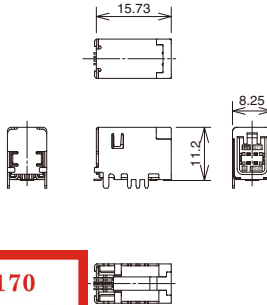
### ● Type with M2.6 Screw Flange



Standard Dark gray	Key B Green

Part No.	HRS No.	Color	Material / Finish	Sales unit	RoHS
GT32-4DP-1.5H	782-0038-1 00	Dark gray	Housing : PA Center terminal : Brass/Tin plating Outer terminal : Copper alloy/Tin plating	105pcs per tray	○
GT32-4DP-1.5H(30)	782-0038-1 30			90pcs per tray	
GT32-4DP-1.5H(B)(30)	782-0062-6 30	Green			
GT32-4DP-1.5H(C)(30)	782-0063-9 30	Blue			

### ● Flangeless Type



Standard Dark gray	Key A Brown	
Key B Green	Key C Blue	Key D Black

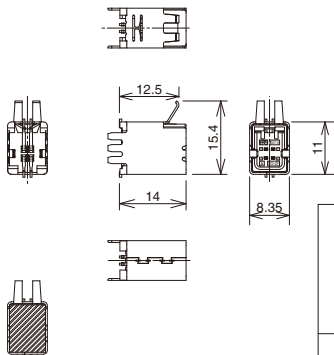
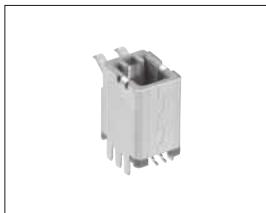
勝特力材料 886-3-5753170  
 勝特力电子(上海) 86-21-34970699  
 勝特力电子(深圳) 86-755-83298787

[Http://www.100y.com.tw](http://www.100y.com.tw)

Part No.	HRS No.	Color	Material / Finish	Sales unit	RoHS
GT32-4DP-1.5H(10)	782-0038-1 10	Dark gray	Housing : PA Center terminal : Brass/Tin plating Outer terminal : Copper alloy/Tin plating	105pcs per tray	○
GT32-4DP-1.5H(11)	782-0038-1 11			90pcs per tray	
GT32-4DP-1.5H(12)	782-0038-1 12			350pcs per reel	
GT32-4DP-1.5H(A)(10)	782-0061-3 10	Brown		105pcs per tray	
GT32-4DP-1.5H(A)(11)	782-0061-3 11			90pcs per tray	
GT32-4DP-1.5H(A)(12)	782-0061-3 12			350pcs per reel	
GT32-4DP-1.5H(B)(10)	782-0062-6 10	Green		105pcs per tray	
GT32-4DP-1.5H(B)(11)	782-0062-6 11			90pcs per tray	
GT32-4DP-1.5H(B)(12)	782-0062-6 12			350pcs per reel	
GT32-4DP-1.5H(C)(10)	782-0063-9 10	Blue		105pcs per tray	
GT32-4DP-1.5H(C)(11)	782-0063-9 11			90pcs per tray	
GT32-4DP-1.5H(C)(12)	782-0063-9 12			350pcs per reel	
GT32-4DP-1.5H(D)(10)	782-0064-1 10	Black	105pcs per tray		
GT32-4DP-1.5H(D)(11)	782-0064-1 11		90pcs per tray		
GT32-4DP-1.5H(D)(12)	782-0064-1 12		350pcs per reel		

## 4-pos Board Connector (Straight SMT Type)

### ● Flangeless Type

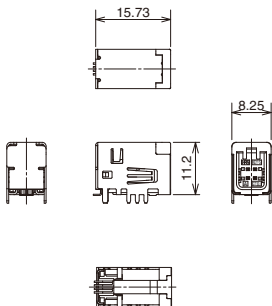


Vacuum pick up tape applied

Standard	Key A	
Dark gray	Brown	
Key B	Key C	Key D
Green	Blue	Black

Part No.	HRS No.	Color	Material / Finish	Sales unit	RoHS
GT32-4DP-1.5V	782-0060-0 00	Dark gray	Housing : PA Center terminal : Brass/Tin plating Outer terminal : Copper alloy/Tin plating	105pcs per tray	○
GT32-4DP-1.5V(30)	782-0060-0 30			300pcs per reel	
GT32-4DP-1.5V(A)	782-0065-4 00	Brown		105pcs per tray	
GT32-4DP-1.5V(A)(30)	782-0065-4 30			300pcs per reel	
GT32-4DP-1.5V(B)	782-0066-7 00	Green		105pcs per tray	
GT32-4DP-1.5V(B)(30)	782-0066-7 30			300pcs per reel	
GT32-4DP-1.5V(C)	782-0067-0 00	Blue		105pcs per tray	
GT32-4DP-1.5V(C)(30)	782-0067-0 30			300pcs per reel	
GT32-4DP-1.5V(D)	782-0068-2 00	Black		105pcs per tray	
GT32-4DP-1.5V(D)(30)	782-0068-2 30			300pcs per reel	

### ● Enhanced EMI Prevention Type



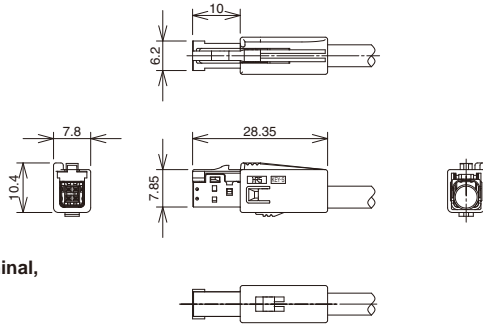
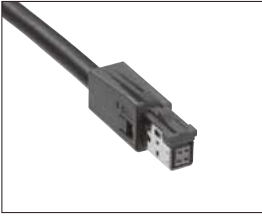
Standard	Key B
Dark gray	Green

Part No.	HRS No.	Color	Material / Finish	Sales unit	RoHS
GT32J-4DP-1.5H(11)	782-0085-0 11	Dark gray	Housing : PA Center terminal : Brass/Tin plating Outer terminal : Copper alloy/Tin plating	540pcs per tray	○
GT32J-4DP-1.5H(B)(11)	782-0086-0 11	Green			

**勝特力材料 886-3-5753170**  
**勝特力电子(上海) 86-21-34970699**  
**勝特力电子(深圳) 86-755-83298787**  
[Http://www.100y.com.tw](http://www.100y.com.tw)

## ■ 4-pos In-line Connector (GT32F Series)

### ● F Connector



- ◆ This product consists of five parts.  
(Housing, insulated case, outer terminal, shield cover, and center terminal)

### ● Housing

Part No.	HRS No.	Material	Color	Sales unit	RoHS
GT32FS-4DS-HU	782-0054-8	PBT	Dark gray	100pcs per bag	○

### ● Insulated Case

Part No.	HRS No.	Material	Color	Sales unit	RoHS
GT32F-4DS-1.5C	782-0051-0	PBT	Light gray	100pcs per bag	○

### ● Outer Terminal

Part No.	HRS No.	Material	Finish	Sales unit	RoHS
GT32FS-4DS-5CF	782-0052-2	Copper alloy	Tin plating	100pcs per bag	○

### ● Shield Plate

Part No.	HRS No.	Material	Finish	Sales unit	RoHS
GT32FS-4DS-SC	782-0053-5	Copper alloy	Tin plating	100pcs per bag	○

### ● Center Terminal

Part No.	HRS No.	Material	Finish	Conductor size	Jacket outer diameter	Sales unit	RoHS
GT32-2428SCF	782-0007-8	Copper alloy	Tin plating	AWG#24~28	φ0.8~1.0	10,000pcs per reel	○

### ◆ Mating Table

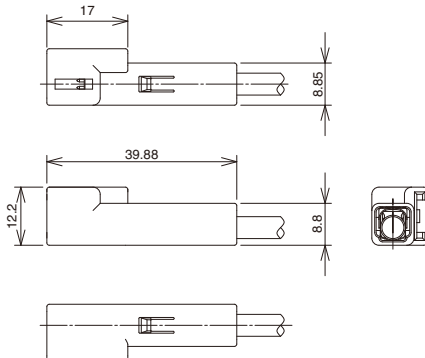
Color	F Connector	M Connector
	Straight plug connector	In-line connector
Dark gray	GT32FS-4DS-ASSY	GT32FS-4DP-ASSY

\* There are no mating combinations with the board side, only the GT32F Series in-line type.

勝特力材料 886-3-5753170  
 勝特力电子(上海) 86-21-34970699  
 勝特力电子(深圳) 86-755-83298787  
[Http://www.100y.com.tw](http://www.100y.com.tw)

## 4-pos In-line Connector (GT32F Series)

### M Connector



◆ This product consists of five parts.  
(Housing, insulated case, outer terminal, shield cover, and center terminal)

### Housing

Part No.	HRS No.	Material	Color	Sales unit	RoHS
GT32FS-4DP-HU	782-0049-8	PBT	Dark gray	100pcs per bag	○

### Insulated Case

Part No.	HRS No.	Material	Color	Sales unit	RoHS
GT32F-4DP-1.5C	782-0046-0	PBT	Light gray	100pcs per bag	○

### Outer Terminal

Part No.	HRS No.	Material	Finish	Sales unit	RoHS
GT32FS-4DP-5CF	782-0047-2	Copper alloy	Tin plating	100pcs per bag	○

### Shield Plate

Part No.	HRS No.	Material	Finish	Sales unit	RoHS
GT32FS-4DP-SC	782-0048-5	Copper alloy	Tin plating	100pcs per bag	○

### Center Terminal

Part No.	HRS No.	Material	Finish	Conductor size	Jacket outer diameter	Sales unit	RoHS
GT32A-2428PCF	782-0050-7	Copper alloy	Tin plating	AWG#24~28	φ0.8~1.0	10,000pcs per reel	○

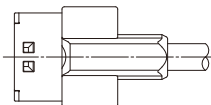
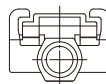
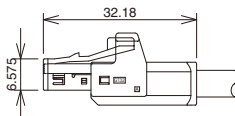
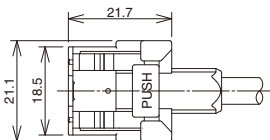
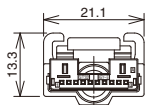
### Mating Table

Color	F Connector	M Connector
	In-line connector	Straight plug connector
Dark gray	GT32FS-4DP-ASSY	GT32FS-4DS-ASSY

\*Mating is for GT32F Series plug connectors only.

**勝特力材料 886-3-5753170**  
**勝特力电子(上海) 86-21-34970699**  
**勝特力电子(深圳) 86-755-83298787**  
[Http://www.100y.com.tw](http://www.100y.com.tw)

## ■ 10-pos Straight Connector



- ◆ This product consists of six parts.  
(Housing, S insulated case, outer terminal,  
shield cover, shield plate, and center terminal)

### ● Housing

Part No.	HRS No.	Material	Color	Sales unit	RoHS
GT32-10S-HU	782-0003-7	PBT	Dark gray	100pcs per bag	○

### ● S insulated Case

Part No.	HRS No.	Material	Color	Sales unit	RoHS
GT32-10S-1.5C	782-0002-4	PBT	Light gray	100pcs per bag	○

### ● Outer Terminal

Part No.	HRS No.	Material	Finish	Sales unit	RoHS
GT32-10S-6CF	782-0004-0	Copper alloy	Tin plating	100pcs per bag	○

### ● Shield Cover

Part No.	HRS No.	Material	Finish	Sales unit	RoHS
GT32-10S-SC	782-0005-2	Brass	Tin plating	100pcs per bag	○

### ● Shield Plate

Part No.	HRS No.	Material	Finish	Sales unit	RoHS
GT32-10S-SP	782-0006-5	Brass	Tin plating	100pcs per bag	○

### ● Center Terminal

Part No.	HRS No.	Material	Finish	Conductor size	Jacket outer diameter	Sales unit	RoHS
GT32-2428SCF	782-0007-8	Copper alloy	Tin plating	AWG#24~28	φ0.8~1.0	10,000pcs per reel	○

## ◆ Mating Table

Color	Cable side connector	Board connector	
		Right angle type	Straight type
Light gray	GT32-10S-ASSY	GT32-10P-1.5H	GT32-10P-1.5DSA

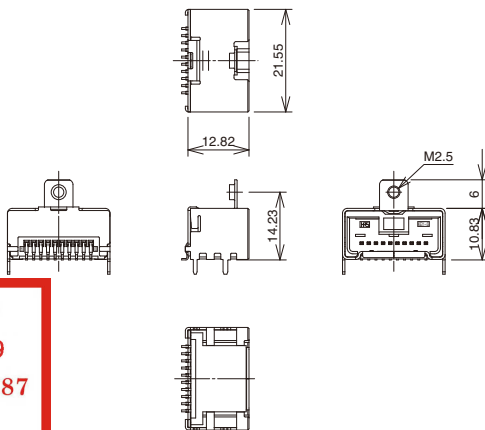
勝特力材料 886-3-5753170  
 勝特力电子(上海) 86-21-34970699  
 勝特力电子(深圳) 86-755-83298787  
[Http://www.100y.com.tw](http://www.100y.com.tw)



Jan. 1, 2022, Copyright 2022 HIROSE ELECTRIC CO., LTD. All Rights Reserved. GT13 GT16 GT19 GT32 FH65 FH40 FH35 FH67

## ■ 10-pos Board Connector (Right Angle SMT Type)

### ● Type with M2.5 Screw Flange



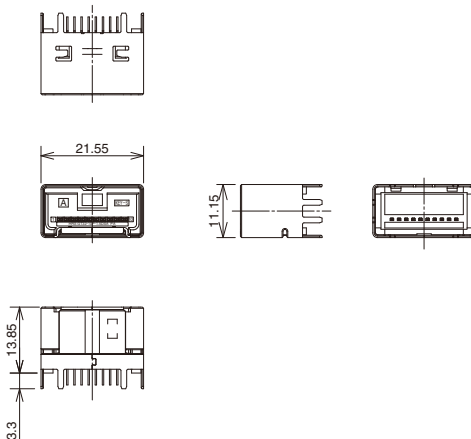
勝特力材料 886-3-5753170  
 勝特力电子(上海) 86-21-34970699  
 勝特力电子(深圳) 86-755-83298787

[Http://www.100y.com.tw](http://www.100y.com.tw)

Part No.	HRS No.	Color	Material / Finish	Sales unit	RoHS
GT32-10P-1.5H	782-0001-1	Light gray	Housing : PPS Center terminal : Brass/Tin plating Outer terminal : Copper alloy/Tin plating	77pcs per tray	○

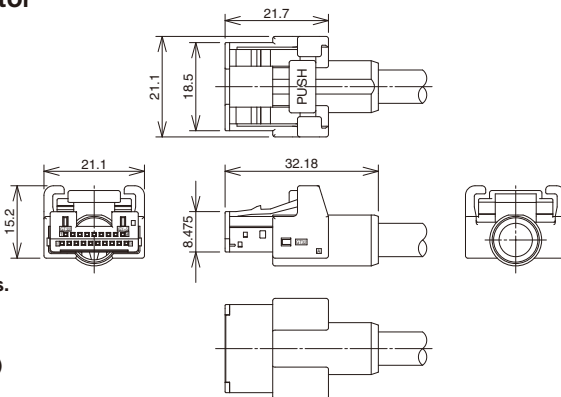
## ■ 10-pos Board Connector (Straight DIP Type)

### ● Flangeless Type



Part No.	HRS No.	Color	Material / Finish	Sales unit	RoHS
GT32-10P-1.5DSA	782-0080-0	Light gray	Housing : PPS Center terminal : Brass/Tin plating Outer terminal : Copper alloy/Tin plating	100pcs per tray	○

## ■ 19-pos Straight Connector



- ◆ This product consists of six parts.  
(Housing, S insulated case A, S insulated case B, outer terminal, shield cover, and center terminal)

### ● Housing

Part No.	HRS No.	Material	Color	Sales unit	RoHS
GT32-19DS-HU	782-0013-0	PBT	Dark gray	100pcs per bag	○

### ● S Insulated Case A

Part No.	HRS No.	Material	Color	Sales unit	RoHS
GT32-19DS-0.75CA	782-0010-2	PBT	Light gray	100pcs per bag	○
GT32-19DS-0.75CA(A)	782-0018-4		Brown		

### ● S Insulated Case B

Part No.	HRS No.	Material	Color	Sales unit	RoHS
GT32-19DS-0.75CB	782-0014-3	PBT	Light gray	100pcs per bag	○
GT32-19DS-0.75CB(A)	782-0021-9		Brown		

### ● Outer Terminal

Part No.	HRS No.	Material	Finish	Sales unit	RoHS
GT32-19DS-7CF	782-0011-5	Copper alloy	Tin plating	100pcs per bag	○

### ● Shield Cover

Part No.	HRS No.	Material	Finish	Sales unit	RoHS
GT32-19DS-SC	782-0012-8	Brass	Tin plating	100pcs per bag	○

### ● Center Terminal

Part No.	HRS No.	Material	Finish	Conductor size	Jacket outer diameter	Sales unit	RoHS
GT32-2428SCF	782-0007-8	Copper alloy	Tin plating	AWG#24~28	φ0.8~1.0	10,000pcs per reel	○

## ◆ Mating Table

Color	Cable side connector	Board connector	
		Right angle type	Straight type
Light gray	GT32-19DS-ASSY	GT32-19DP-0.75H / GT32B-19DP-0.75H	GT32-19DP-0.75DSA
Brown	GT32-19DS-ASSY (Key type : A)	GT32-19DP-0.75H(A) / GT32B-19DP-0.75H(A)	GT32-19DP-0.75DSA(A)

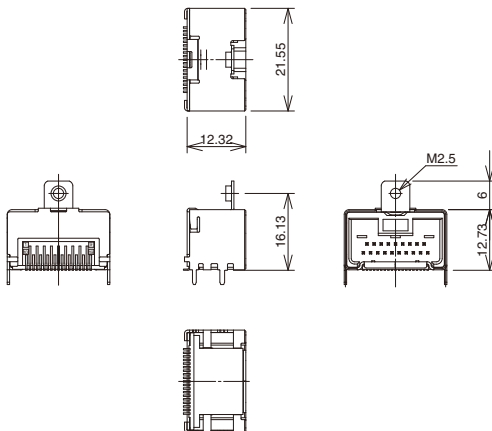
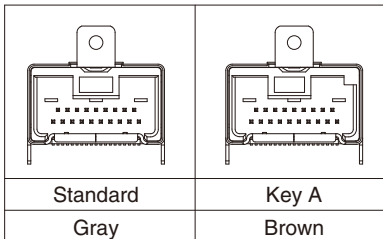
勝特力材料 886-3-5753170  
 勝特力电子(上海) 86-21-34970699  
 勝特力电子(深圳) 86-755-83298787

[Http://www.100y.com.tw](http://www.100y.com.tw)

Jan. 1, 2022, Copyright 2022 HIROSE ELECTRIC CO., LTD. All Rights Reserved.

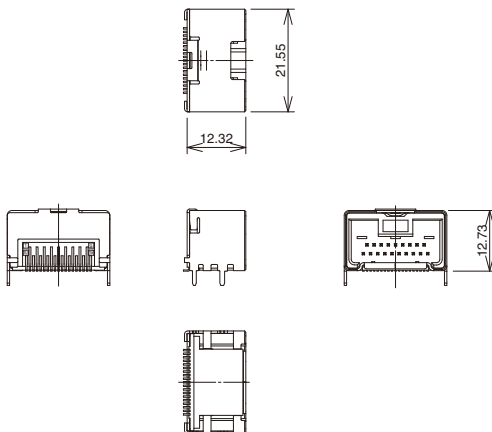
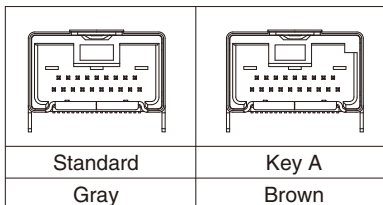
## ■ 19-pos Board Connector (Right Angle SMT Type)

### ● Type with M2.5 Screw Flange



Part No.	HRS No.	Color	Material / Finish	Sales unit	RoHS
GT32-19DP-0.75H	782-0009-3	Gray	Housing : PPS Center terminal : Brass/Tin plating Outer terminal : Phosphor bronze/Tin plating	77pcs per tray	○
GT32-19DP-0.75H(A)	782-0015-6	Brown			

### ● Flangeless Type

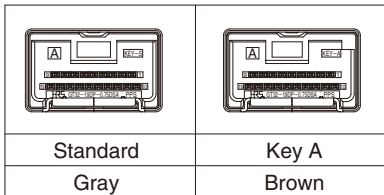
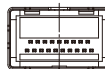
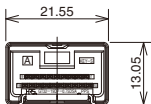
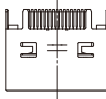


Part No.	HRS No.	Color	Material / Finish	Sales unit	RoHS
GT32B-19DP-0.75H	782-0069-0	Gray	Housing : PPS Center terminal : Brass/Tin plating Outer terminal : Phosphor bronze/Tin plating	77pcs per tray	○
GT32B-19DP-0.75H(A)	782-0082-0	Brown			

**勝特力材料 886-3-5753170**  
**勝特力电子(上海) 86-21-34970699**  
**勝特力电子(深圳) 86-755-83298787**  
**Http://www.100y.com.tw**

## ■ 19-pos Board Connector (Straight DIP Type)

### ● Flangeless Type

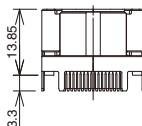


Standard

Key A

Gray

Brown

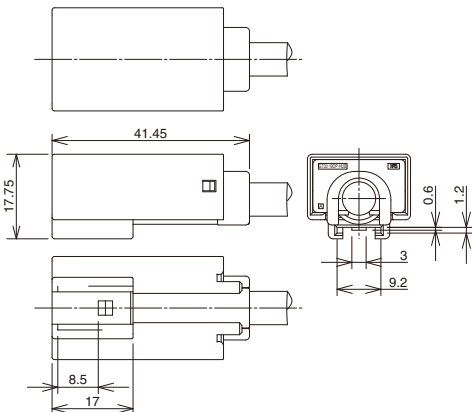
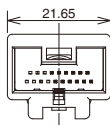


Part No.	HRS No.	Color	Material / Finish	Sales unit	RoHS
GT32-19DP-0.75DSA	782-0037-9	Gray	Housing : PPS Center terminal : Brass/Tin plating Outer terminal : Copper alloy/Tin plating	100pcs per tray	○
GT32-19DP-0.75DSA(A)	782-0045-7	Brown			

勝特力材料 886-3-5753170  
 勝特力电子(上海) 86-21-34970699  
 勝特力电子(深圳) 86-755-83298787

[Http://www.100y.com.tw](http://www.100y.com.tw)

## ■ 19-pos In-line Connector



◆ This product consists of seven parts.  
(Housing A, housing B, P insulated case A, P insulated case B, outer terminal, shield cover, and center terminal)

### ● Housing A

Part No.	HRS No.	Material	Color	Sales unit	RoHS
GT32-19DP-HUA	782-0035-3	PBT	Light gray	100pcs per bag	○

### ● Housing B

Part No.	HRS No.	Material	Color	Sales unit	RoHS
GT32-19DP-HUB	782-0036-6	PBT	Light gray	100pcs per bag	○

### ● P insulated Case A

Part No.	HRS No.	Material	Color	Sales unit	RoHS
GT32-19DP-0.75CA	782-0031-2	PBT	Black	100pcs per bag	○

### ● P insulated Case B

Part No.	HRS No.	Material	Color	Sales unit	RoHS
GT32-19DP-0.75CB	782-0032-5	PBT	Light gray	100pcs per bag	○

### ● Outer Terminal

Part No.	HRS No.	Material	Finish	Sales unit	RoHS
GT32-19DP-7CF	782-0033-8	Copper alloy	Tin plating	100pcs per bag	○

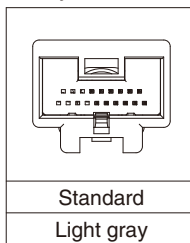
### ● Shield Cover

Part No.	HRS No.	Material	Finish	Sales unit	RoHS
GT32-19DP-SC	782-0034-0	Brass	Tin plating	100pcs per bag	○

### ● Center Terminal

Part No.	HRS No.	Material	Finish	Conductor size	Jacket outer diameter	Sales unit	RoHS
GT32-2428PCF	782-0030-0	Brass	Tin plating	AWG#24~28	∅0.8~1.0	10,000pcs per reel	○

### Key Variations



### ◆ Mating Table

Color	GT32HS 19-pos in-line connector	Cable side F connector
Light gray	GT32-19DP-ASSY	GT32-19DS-ASSY

勝特力材料 886-3-5753170  
 勝特力电子(上海) 86-21-34970699  
 勝特力电子(深圳) 86-755-83298787  
[Http://www.100y.com.tw](http://www.100y.com.tw)

## ◆ Crimping Tools

Please ask your Hirose Electric account representative for a user manual.

### Automatic Crimping Machine



Photo for reference only.  
Subject to change.

#### Specifications

Item	Specifications	Remarks
Press capacity	1.5 tons	
Stroke length	30mm	
Number of strokes	200spm (50Hz)	240spm (60Hz)
Weight	75kg	
Motor	0.2kW	100V AC
Crimping speed	2,000-4,000/H	

Part No. CM-105C

Note : Please refer to the table below for applicator part numbers.

#### Applicator (for Mounting to Automatic Crimping Machines)

Contact Product No.	Contact HRS No.	Tool No.	Tool HRS No.
GT32-2428SCF	782-0007-8	AP105-GT32-2428S	901-5223-2
GT32-2428PCF	782-0030-0	AP105-GT32-2428P	901-
GT32A-2428PCF	782-0050-7	AP105-GT32A-2428P	901-5007-0

\*1 : Different contact crimp heights are available for different cable types. Please contact your Hirose Electric account representative for details.

Other cables will require different crimp height settings. Please note that this may take a few days.

\*2 : When purchasing HRS equipment, please contact your Hirose Electric account representative to confirm that the cable that you plan to use for the applicable terminal has been evaluated.

\*3 : The applicators and tools listed here may not be applicable depending on the specifications of the cable you use.

#### Contact Insertion Tool

Contact Product No.	Contact HRS No.	Tool No.	Tool HRS No.
GT32-2428SCF	782-0007-8	GT32-CON/PR-MD	902-5125-0

\* This tool is used only for inserting the GT32-2428SCF terminal into the S insulated case.

Please note that this tool cannot be used for other terminals or insulated cases.

#### ● Hand press



Part No. HOS-7

**勝特力材料 886-3-5753170**  
**勝特力电子(上海) 86-21-34970699**  
**勝特力电子(深圳) 86-755-83298787**  
**Http://www.100y.com.tw**

#### Outer Shell Caulking Tool (for Mounting Hand Press)

Terminal Product No.	Terminal HRS No.	Outer shell caulking tool part No.	Outer shell caulking tool HRS No.
GT32-4DS-5CF	782-0040-3	GT32-4DS-5/CR-MP	902-5519-5
GT32FS-4DS-5CF	782-0052-2	GT32-4DS-5/CR-MP(01)	902-5519-5 01
GT32FS-4DP-5CF	782-0047-2	GT32FS-4DP-5/CR-MP	902-5520-0
		GT32FS-4DP-5/CR-MP(01)	902-5520-0 01
GT32-10S-6CF	782-0004-0	GT32-10S-6/CR-MP	902-5118-4
		GT32-10S-6/CR-MP(01)	902-5118-4 01
GT32-19DS-7CF	782-0011-5	GT32-19DS-7/CR-MP	902-5124-7
		GT32-19DS-7/CR-MP(01)	902-5124-7 01
GT32-19DP-7CF	782-0033-8	GT32-19DP-7/CR-MP	902-
		GT32-19DP-7/CR-MP(01)	902-

\*1 : The outer shell caulking tool with (01) specifications is sold as a bundle with the HOS-7 hand press.

\*2 : Different contact crimp heights are available for different cable types. Please contact your Hirose Electric account representative for details. Please note that we will need to define new crimp heights for novel cables and this may take a few days.

\*3 : When purchasing HRS equipment, please contact your Hirose Electric account representative to confirm that the cable that you plan to use for the applicable terminal has been evaluated.

\*4 : The applicators and tools listed here may not be applicable depending on the specifications of the cable you use.

Please refer to our cable termination procedure manual for performing terminations.