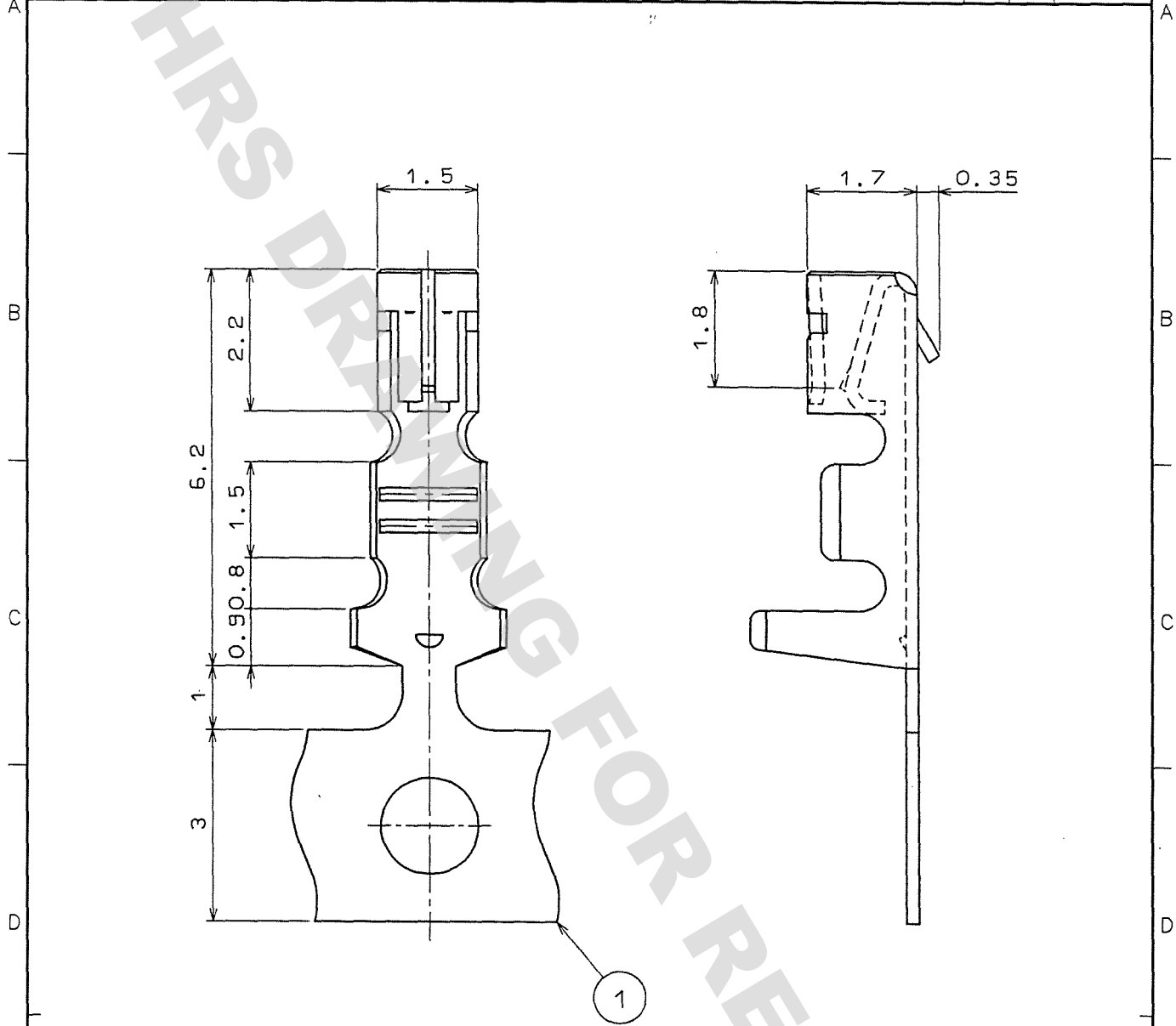


DRAWING FOR REFERENCE: This is subject to change without notice  
08/11/2012

1		2			3			4		
COUNT	DESCRIPTION OF REVISIONS	BY	CHKD	DATE	COUNT	DESCRIPTION OF REVISIONS	BY	CHKD	DATE	
△					△				. . .	
△					△				. . .	
△					△				. . .	



NOTE 1. 10000 PIECES PER REEL.

勝特力材料 886-3-5753170  
 勝特力电子(上海) 86-21-34970699  
 勝特力电子(深圳) 86-755-83298787  
[Http://www.100y.com.tw](http://www.100y.com.tw)

1	PHOSPHOR BRONZE	TIN PLATED							
NO.	MATERIAL	FINISH, REMARKS	NO.	MATERIAL	FINISH, REMARKS				
CODE NO. (OLD)			DRAWN	DESIGNED	CHECKED	APPROVED	RELEASED		
			S.KURIYA	K.SHIBATA	K. Sato	K. Sato			
			06.10.31	90.7.11	'06, 12, 22	'06, 12, 22			
DRAWING NO. EDC4-082342-01			PART NO. GT8-2428SCF (70)						
SACLE 10 : 1			CODE NO. CL758-0001-8-70					1	1
UNITS mm			HRS HIROSE ELECTRIC CO., LTD.						

TO

# Mouser Electronics

Authorized Distributor

Click to View Pricing, Inventory, Delivery & Lifecycle Information:

[Hirose Electric:](#)

[GT8-2428SCF\(70\)](#)