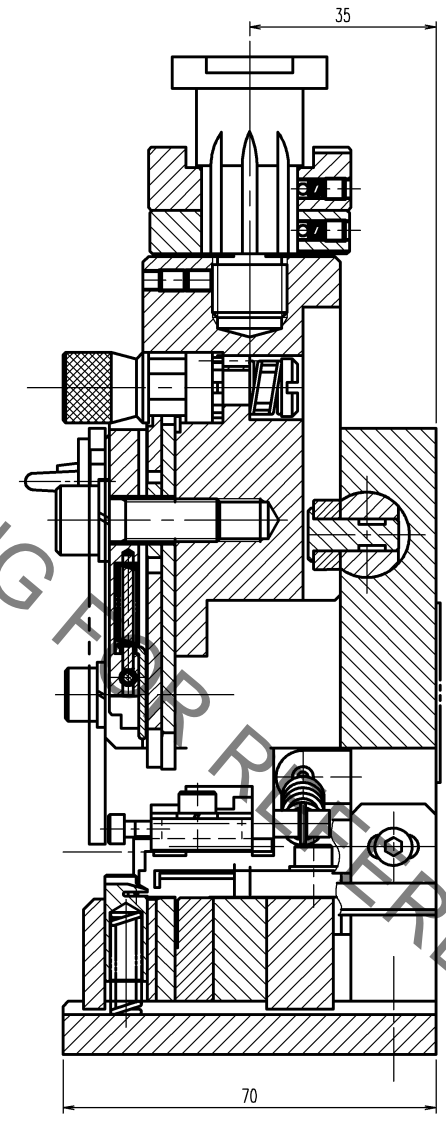
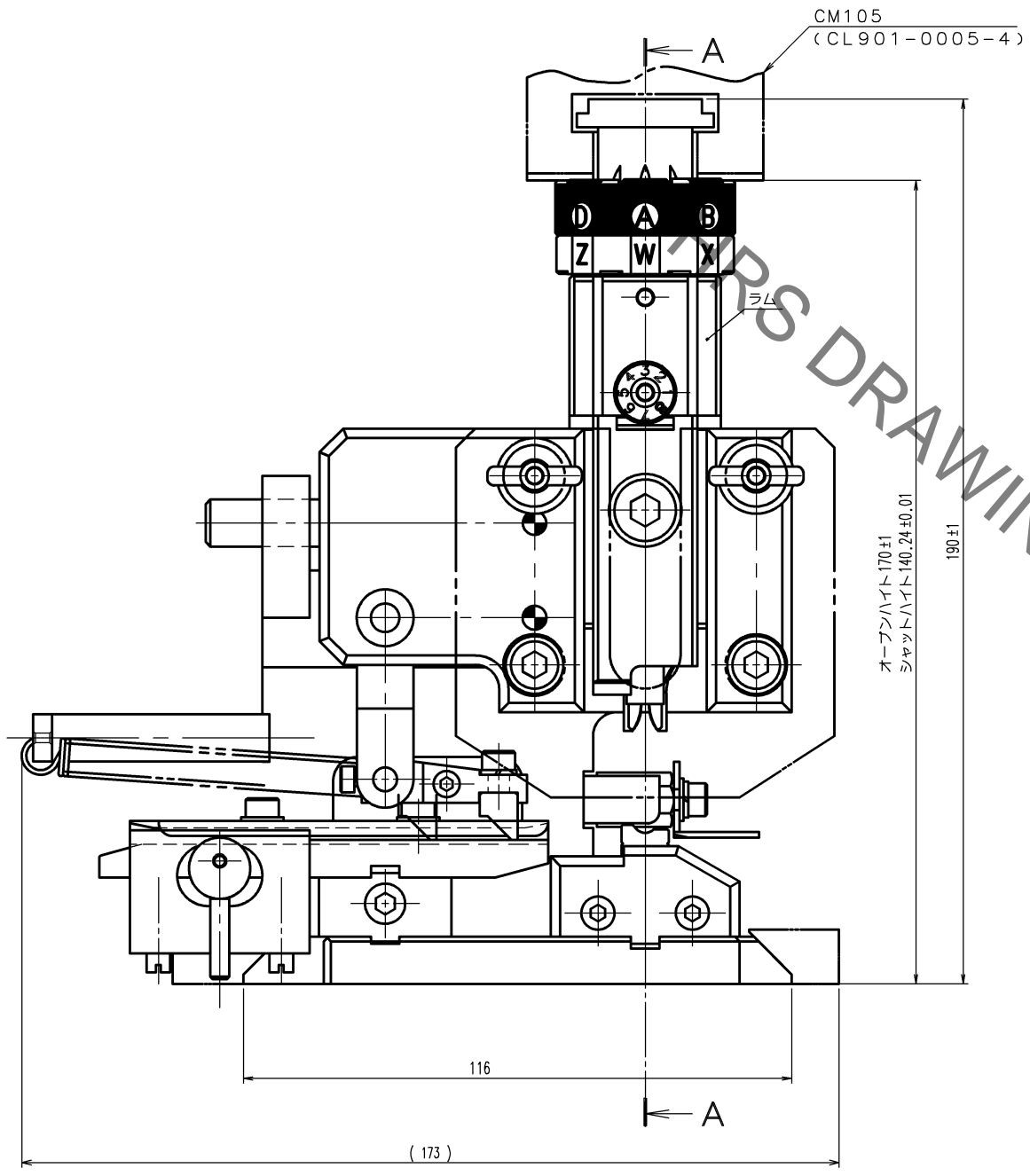


勝特力材料 886-3-5753170
 勝特力電子(上海) 86-21-34970699
 勝特力電子(深圳) 86-755-83298787
 Http://www.100y.com.tw

COUNT	DESCRIPTION OF REVISIONS	BY	CHKD	DATE	COUNT	DESCRIPTION OF REVISIONS	BY	CHKD	DATE
1	DIS-P-00008859	NISHIDA	TOKUTA	22. 7. 13					



⚠ Notes. 1 Contact of ZG05A-2224SCF(CL754-2001-0) ,ZG05A-2224SCFA(CL0754-2002-0) is assembled for this tool.

In case of consideration for using Automotive equipment / device which demand high reliability, kindly contact our sales window correspondents.

TO
PE

2			4		
1			3		
NO.	MATERIAL	FINISH, REMARKS	NO.	MATERIAL	FINISH, REMARKS
CODE NO. (OLD) CL		DRAWN K.SUGIBUCHI 17.11.6	DESIGNED K.SUGIBUCHI 17.11.6	CHECKED H.TOKUTA 17.11.14	APPROVED T.ITO 17.11.14
DRAWING NO. EDC-285306-00-00			PART NO. AP105-ZG05A-2224S		
SCALE FREE			CODE NO. CL901-5240-0		
UNITS mm			HIROSE ELECTRIC CO., LTD		
					1/1