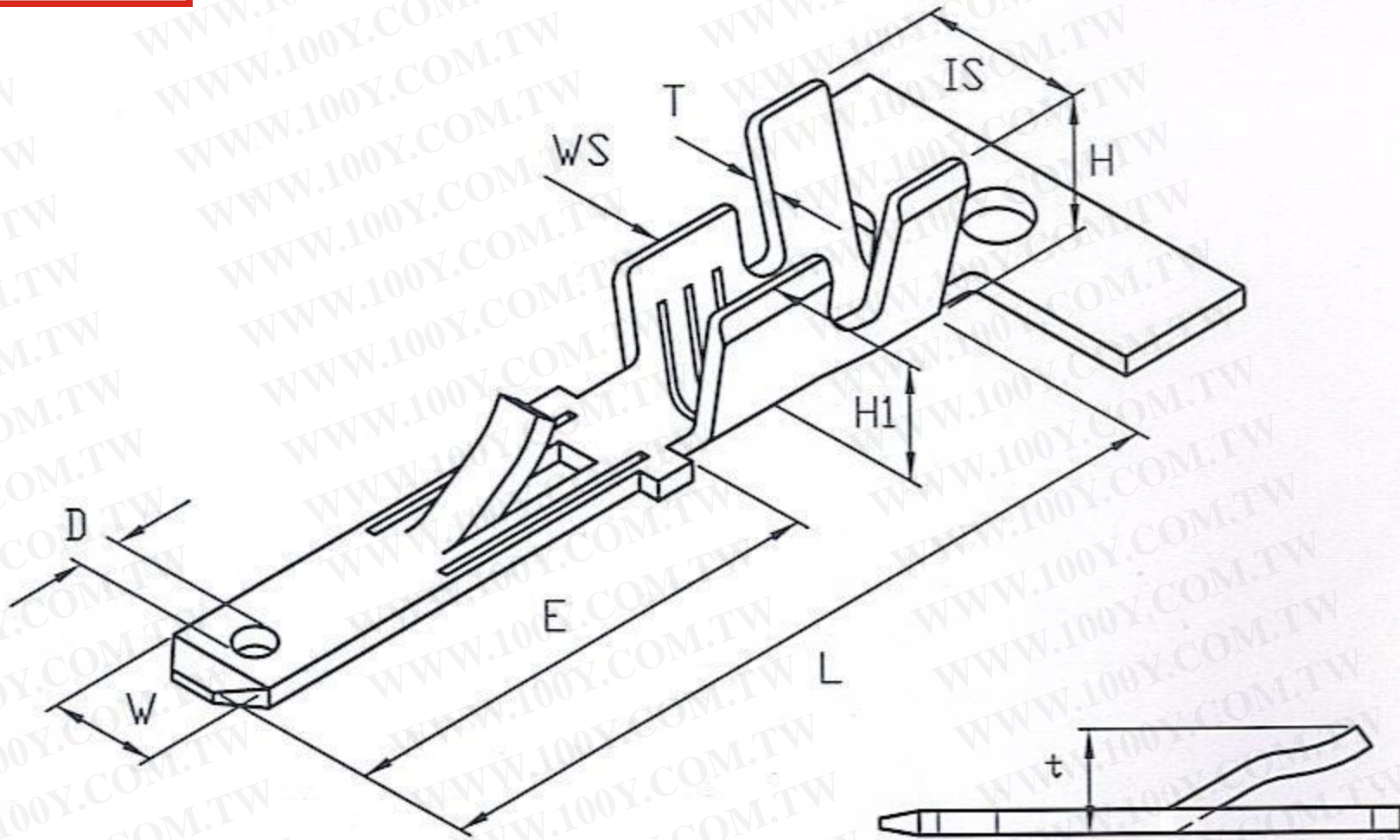


DRAWING OF FINISHED PRODUCTS

勝特力材料 886-3-5753170
 勝特力电子(上海) 86-21-34970699
 勝特力电子(深圳) 86-755-83298787
[Http://www.100y.com.tw](http://www.100y.com.tw)



ITEM NO: J1631BS-0S
 MATERIAL: BRASS
 THICKNESS: 0.5
 HARDNESS: H
 WIRE RANGE: (AWG) 16-20
 INSULATION O.D.: 2.3 MAX.
 RATED VOLTAGE: AC, DC, 250V
 CURRENT RATED: AC, DC, 10A
 TEMPERATURE RANGE : -25°C TO +85°C

DIMENSION: (MM)

T: 0.5 ± 0.03
 L: 20.7 ± 0.35
 E: 13.0 ± 0.25
 D: 1.2 ± 0.2
 W: 2.8 ± 0.2
 IS: 4.4 ± 0.3
 WS: 3.4 ± 0.3
 H: 4.1 ± 0.25
 H1: 3.2 ± 0.25
 t: 2.0 ± 0.25